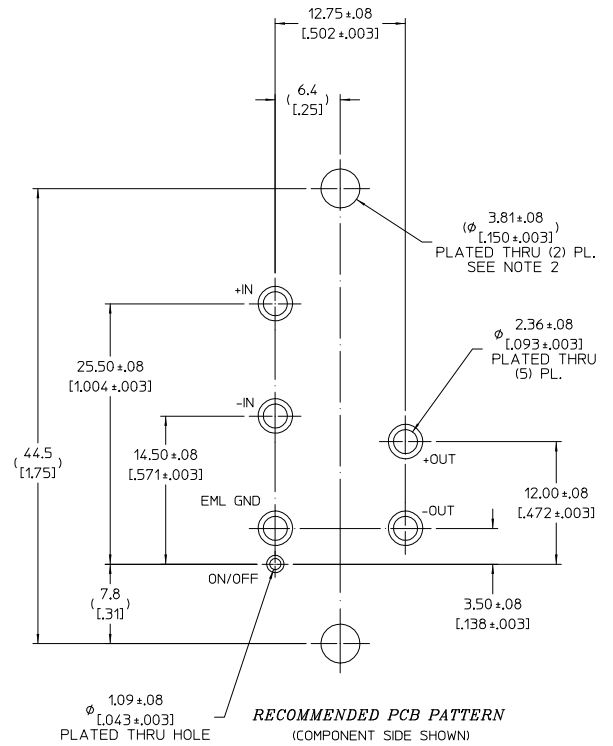
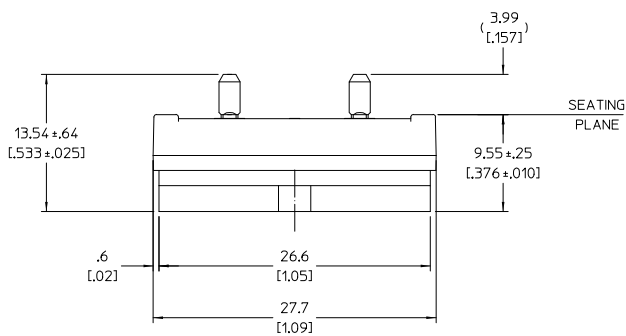
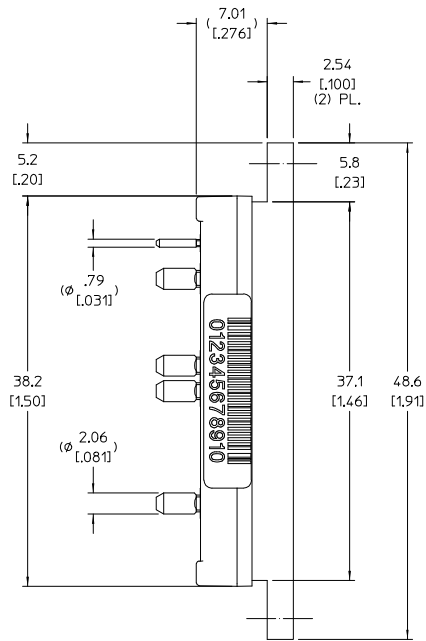
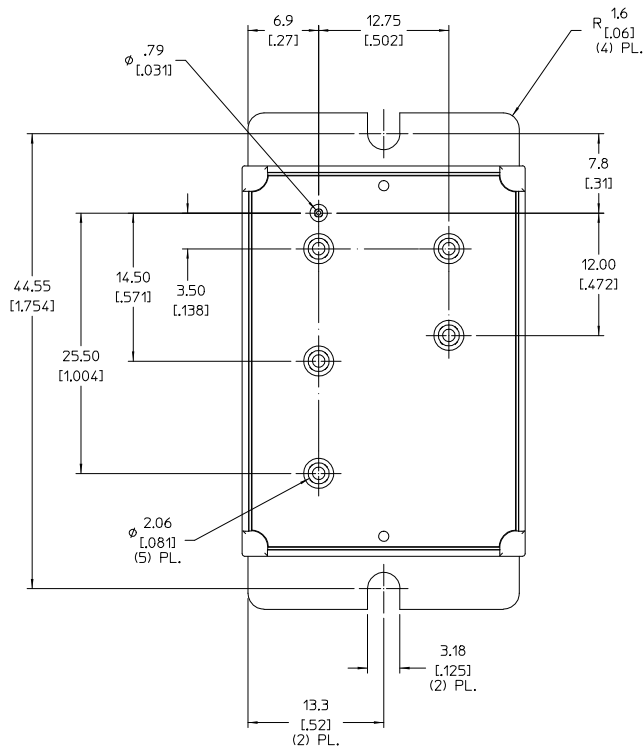


VICOR CONFIDENTIAL
 THIS DOCUMENT AND THE DATA DISCLOSED
 HEREIN OR HEREWITH IS NOT TO BE REPRODUCED,
 USED, OR DISCLOSED IN WHOLE OR IN PART
 TO ANYONE WITHOUT PERMISSION OF VICOR CORP.

REV.	DESCRIPTION	DATE	APVD
1	RELEASED PER E091018	JS 10/12/09	RE.H



NOTES:

1. RoHS COMPLIANT PER CST-0001 LATEST REVISION.
2. PLATED THROUGH HOLES SHALL BE USED WITH VIBRICK STANDOFF KITS TO GROUND THE BASEPLATE TO THE CUSTOMERS PCB AND/OR COLD PLATE.

DRAWN BY	DATE	VICOR	
J.S. JENKINS	06/24/09	VICOR	
UNLESS OTHERWISE SPECIFIED DIMENSIONS ARE IN INCHES TOLERANCES ARE: FRACTIONS ± .005 DECIMALS ± .0025 HOLE DIMS ± .0025 HOLE DIMS ± .0025			
THIRD ANGLE PROJECTION	SIZE	CAGE CODE	DWG NO
DO NOT SCALE DRAWING	D	67131	35688
	SCALE	4:1	SHEET 1 OF 1