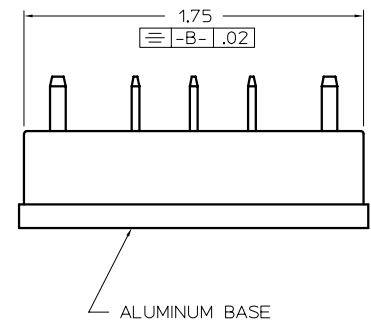
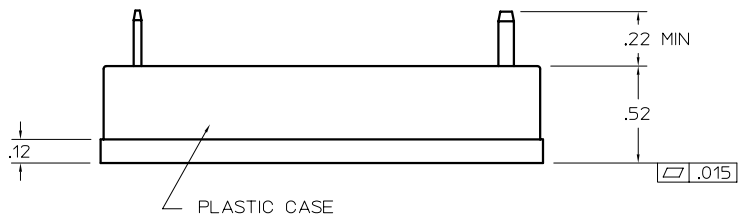
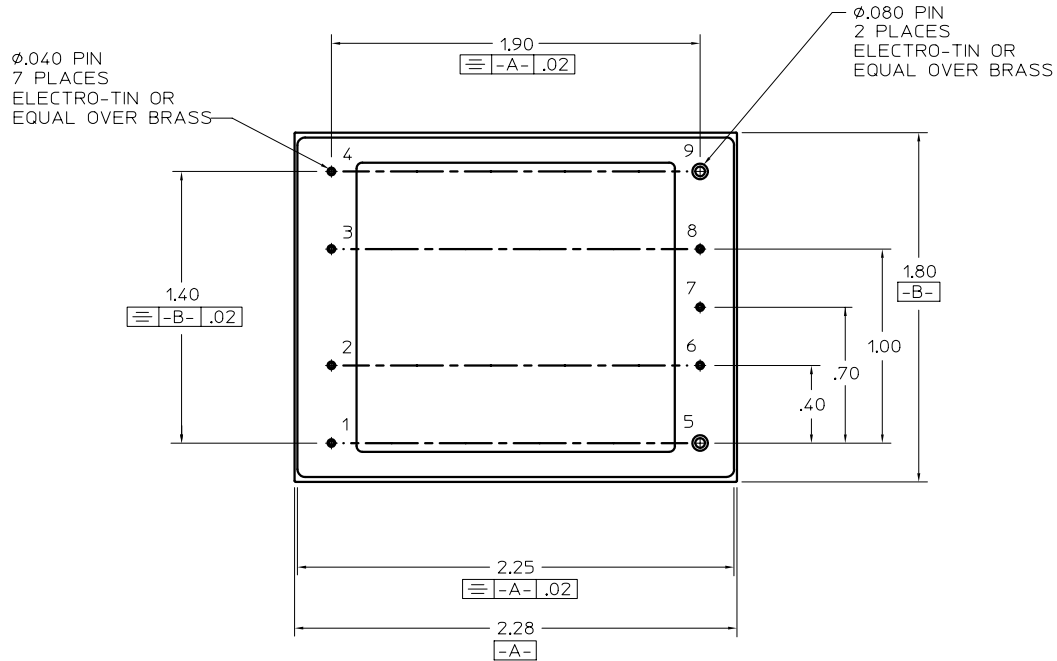


VICOR CONFIDENTIAL
 THIS DOCUMENT AND THE DATA DISCLOSED
 HEREIN OR HEREWITH IS NOT TO BE REPRODUCED,
 USED, OR DISCLOSED IN WHOLE OR IN PART
 TO ANYONE WITHOUT PERMISSION OF VICOR CORP.

REV.	DESCRIPTION	DATE	APPROVED
02	RELEASED PER ECO #2229	CFH 9/30/90	BR
03	RELEASED PER ECO E990208	GCK 5/19/99	RCM



PIN FUNCTIONS

PIN #	MINI-MOD VI-JXX-XX-S	RAM VI-RAM-XX-S	IAM VI-AXX-XX-S	AIM VI-AIM-XX-S
1	+IN	+IN	+IN	L1
2	GATE IN	+SENSE IN	+IN	NC
3	GATE OUT	-SENSE IN	-IN	NC
4	-IN	-IN	-IN	L2/N
5	+OUT	+OUT	+OUT	+OUT
6	+SENSE OUT	+SENSE OUT	GATE IN	GATE IN
7	TRIM	NC	PAR	PAR
8	-SENSE OUT	-SENSE OUT	GATE OUT	GATE OUT
9	-OUT	-OUT	-OUT	-OUT

DRAWN BY GCK	DATE 6/19/99			
UNLESS OTHERWISE SPECIFIED DIMENSIONS ARE IN INCHES. TOLERANCES ARE: FRACTIONS DECIMALS ANGLES #/64 .001 #° .001 #.005 #°				
THIRD ANGLE PROJECTION 	SIZE C	FSCH NO. 67131	DWG NO. 04712	REV 03
DO NOT SCALE DRAWING	SCALE 2X	SHEET 1 OF 1		