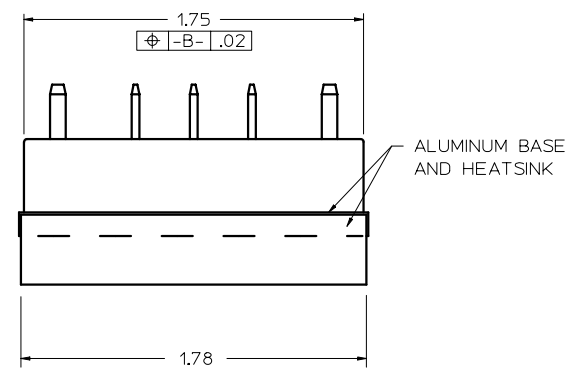
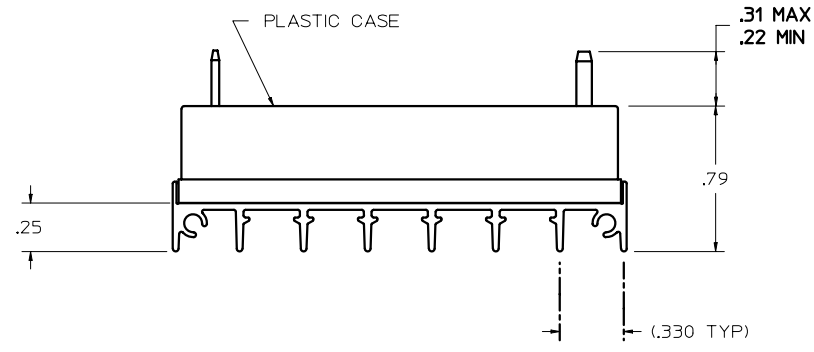
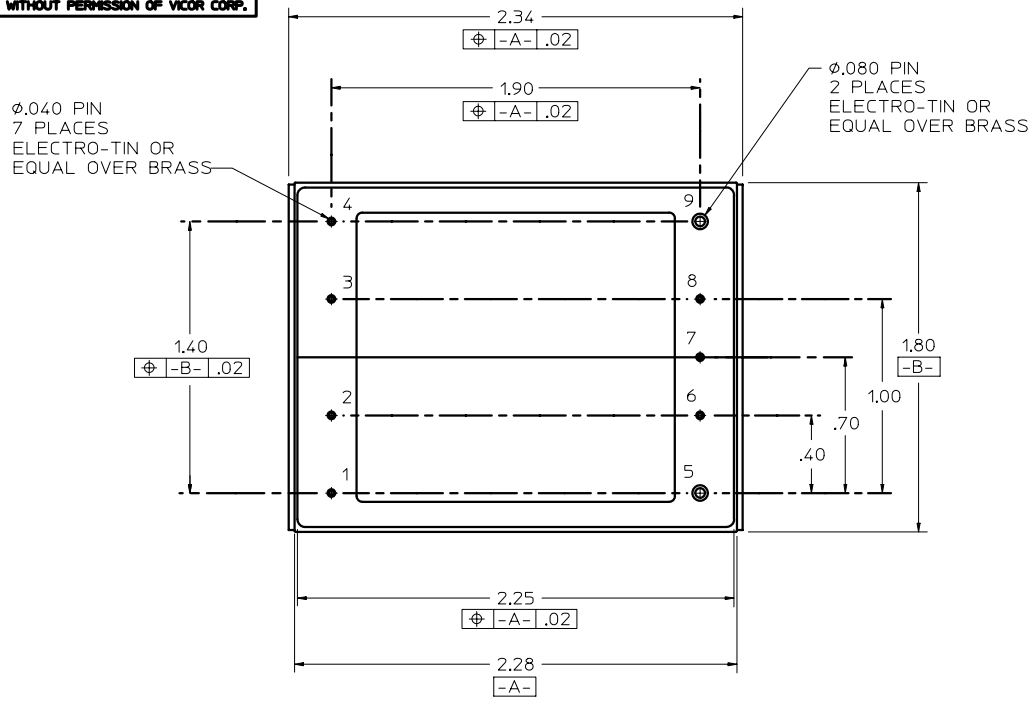


**VICOR CONFIDENTIAL**  
 THIS DOCUMENT AND THE DATA DISCLOSED  
 HEREIN OR HEREWITH IS NOT TO BE REPRODUCED,  
 USED, OR DISCLOSED IN WHOLE OR IN PART  
 TO ANYONE WITHOUT PERMISSION OF VICOR CORP.

REV.	DESCRIPTION	DATE	APPROVED
2	RELEASE PER E910657	CPH 11/25/91	WWP
3	REVISED PER E920559	JFW 10/6/92	JJC
04	REVISED PER E950374	CPH 8/1/95	DPK



**PIN FUNCTIONS**

PIN #	MINI-MOD VI-JXX-XX-F3	RAM VI-RAM-XX-F3	IAM VI-AXX-XX-F3	AIM VI-AIM-XX-F3
1	+IN	+IN	+IN	L1
2	GATE IN	+SENSE IN	+IN	NO CONNECTION
3	GATE OUT	-SENSE IN	-IN	NO CONNECTION
4	-IN	-IN	-IN	L2/N
5	+OUT	+OUT	+OUT	+OUT
6	+SENSE OUT	+SENSE OUT	GATE IN	GATE IN
7	TRIM	NC	PAR	PAR
8	-SENSE OUT	-SENSE OUT	GATE OUT	GATE OUT
9	-OUT	-OUT	-OUT	-OUT

<small>UNLESS OTHERWISE SPECIFIED TOLERANCES ARE:</small> FRACTIONS DECIMALS ANGLES $\pm 1/64$ $\pm .01$ $\pm 1^\circ$ JXX $\pm .005$	APPROVALS C HUTCHINS	DATE 8/91	
	THIRD ANGLE PROJECTION 		
DO NOT SCALE DRAWING	SIZE (F3) NO. <b>C 67131</b>	DWG. NO. 05997	REV. 04
SCALE 2X	SHEET 1 OF 1		