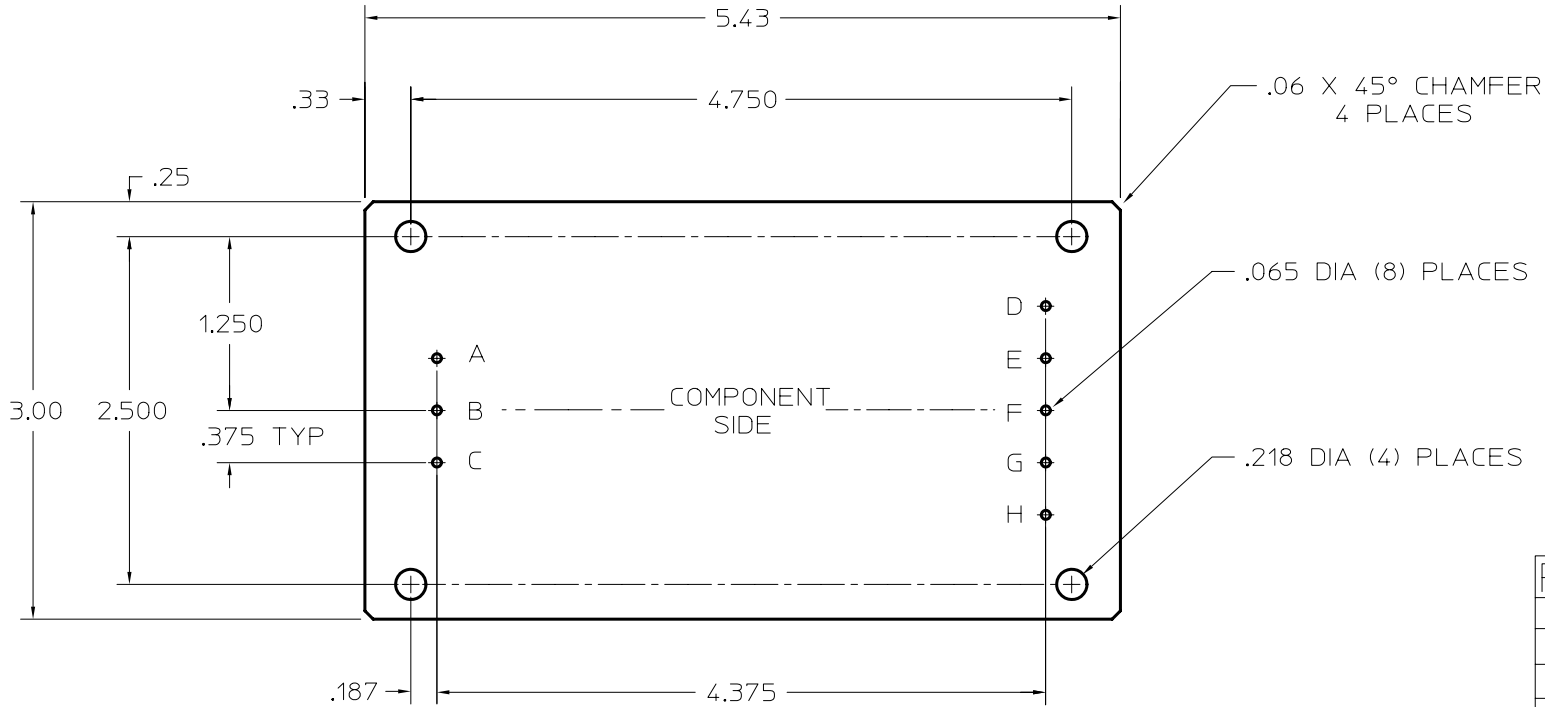
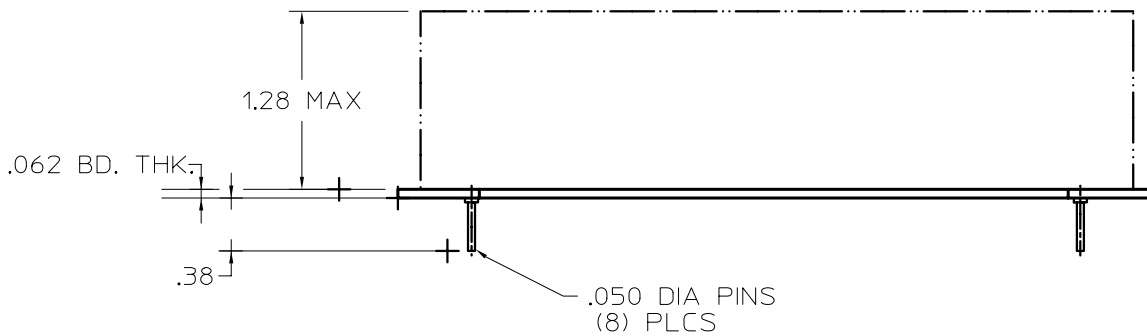


THIS DOCUMENT AND THE DATA DISCLOSED
HEREIN OR HEREWITH IS NOT TO BE REPRODUCED,
USED, OR DISCLOSED IN WHOLE OR IN PART
TO ANYONE WITHOUT PERMISSION OF VICOR CORP.

LTR.	DESCRIPTION	DATE	APPD.



PIN	FUNCTIONS
A	+DC OUT
B	-DC OUT
C	BUSS OK
D	STRAP #2
E	STRAP #1
F	L2/N
G	L1
H	GND



VICOR ANDOVER, MA. U.S.A.

**FRONT END (250W)
P.C.B. OUTLINE**

DRAWN: J P O'NEIL 8/88	TOLERANCES	DRAWING NO.	REV.
CHECKED:	EXCEPT AS NOTED	02904	3
APPD:	.001 ± .01 .002 ± .005 FRACT ± 1/64 ANGLES ± 1°		
ALL DIMENSIONS ARE IN INCHES (MILLIMETERS) DO NOT SCALE DRAWING	SCALE: FULL	SHEET 1 of 1	
NEXT ASSY:			