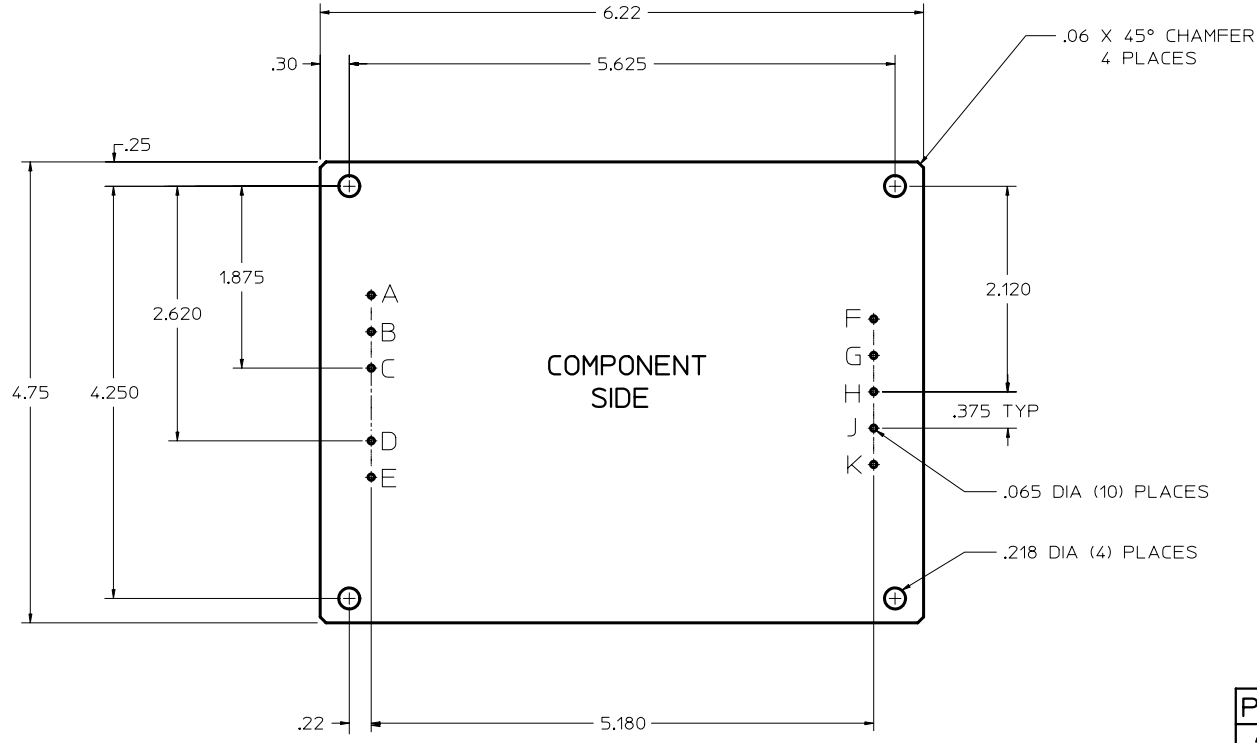
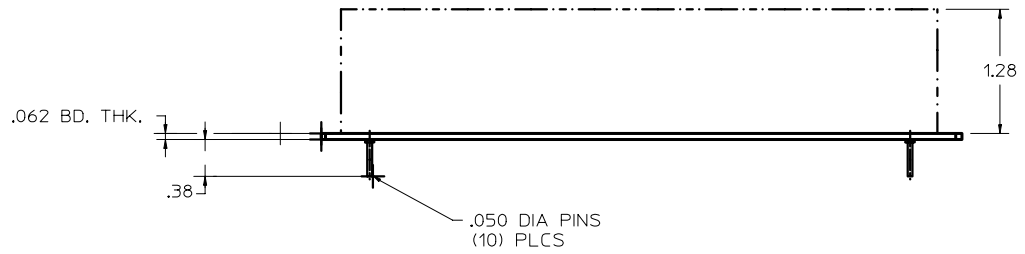


**VICOR CONFIDENTIAL**  
 THIS DOCUMENT AND THE DATA DISCLOSED  
 HEREIN OR HEREWITH IS NOT TO BE REPRODUCED,  
 USED, OR DISCLOSED IN WHOLE OR IN PART  
 TO ANYONE WITHOUT PERMISSION OF VICOR CORP.

REV.	DESCRIPTION	DATE	APVD
05	REDRN & REVSD E950587	9/1/95	DPK



PIN FUNCTIONS	
A	+DC OUT
B	-DC OUT
C	BUS OK
D	AC OK -
E	AC OK +
F	STRAP #1
G	STRAP #2
H	L2/N
J	L1
K	GND



DRAWN BY RCM	DATE 9/1/95		
<small>UNLESS OTHERWISE SPECIFIED          DIMENSIONS ARE IN INCHES.          TOLERANCES ARE:          FRACTIONS DECIMALS ANGLES</small> <small>±1/64 ±.01 ±1°</small> <small>300±.005 ±1°</small>			
THIRD ANGLE PROJECTION	SIZE <b>C 67131</b>	DWG NO 02924	REV 05
DO NOT SCALE DRAWING	SCALE FULL	SHEET 1 OF 1	