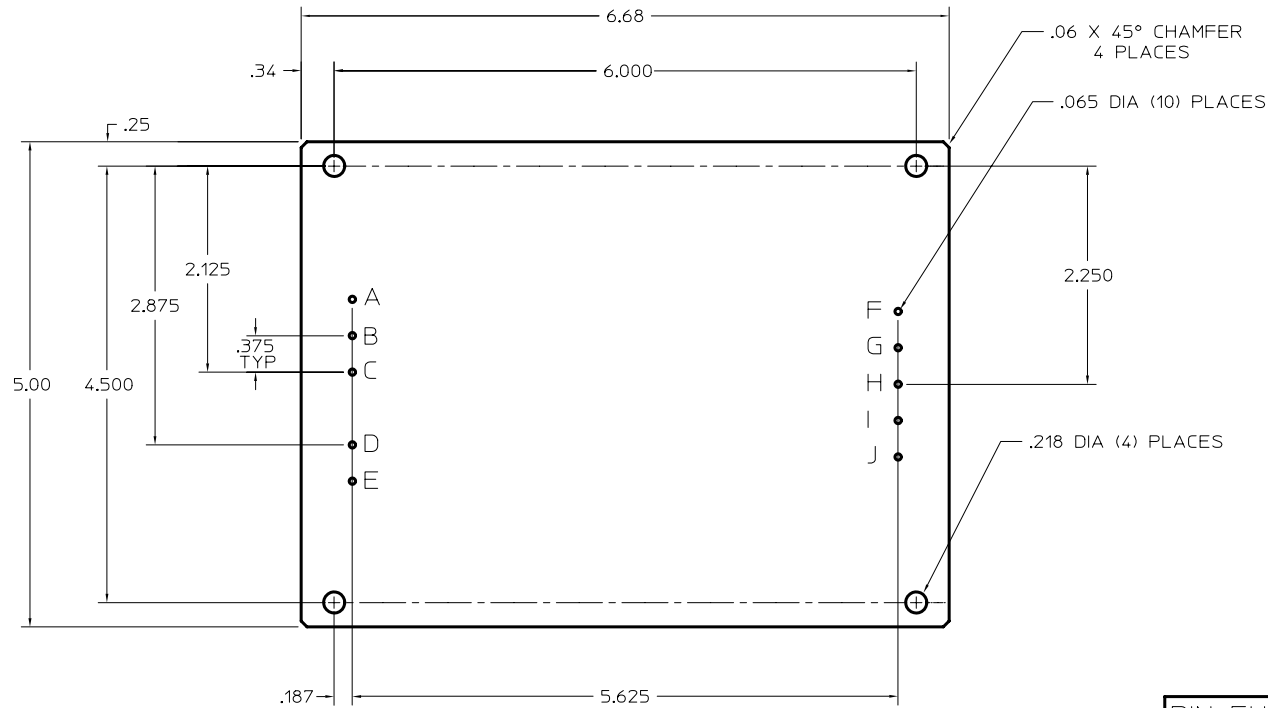
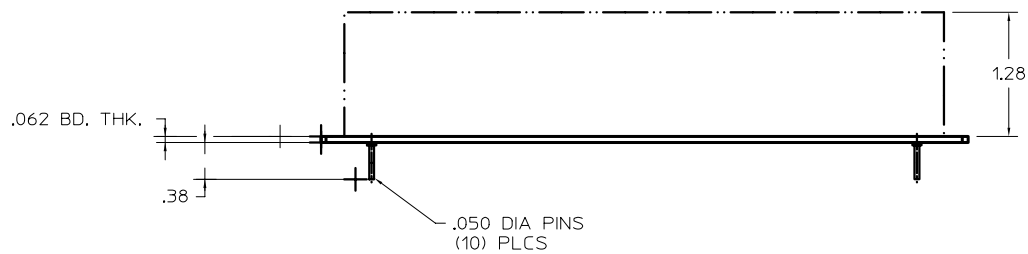


THIS DOCUMENT AND THE DATA DISCLOSED  
HEREIN OR HEREWITH IS NOT TO BE REPRODUCED,  
USED, OR DISCLOSED IN WHOLE OR IN PART  
TO ANYONE WITHOUT PERMISSION OF VICOR CORP.

LTR.	DESCRIPTION	DATE	APPD.
A	RELEASED PER ECO #1733	JW	



PIN FUNCTIONS	
A	VDC +
B	VDC -
C	BUS OK
D	AC OK -
E	AC OK +
F	STRAP #1
G	STRAP #2
H	L2/N
J	L1
K	GND



**VICOR** ANDOVER, MA, U.S.A.

DESIGNER: J. P. O'NEIL	DATE: 8/88	FRONT END (750W) P.C.B. OUTLINE		
APPROVED:		DRAWING NO.	REV.	
ALL DIMENSIONS ARE IN INCHES (MILLIMETERS)		TOLERANCES UNLESS AS NOTED X.XX ± .01 X.XXX ± .005 FRACTIONS ± 1/64 ANGLES ± 1°	02935	A
DO NOT SCALE DRAWING	SCALE: FULL	SHEET	OF	
NEXT ASSY:		1	1	