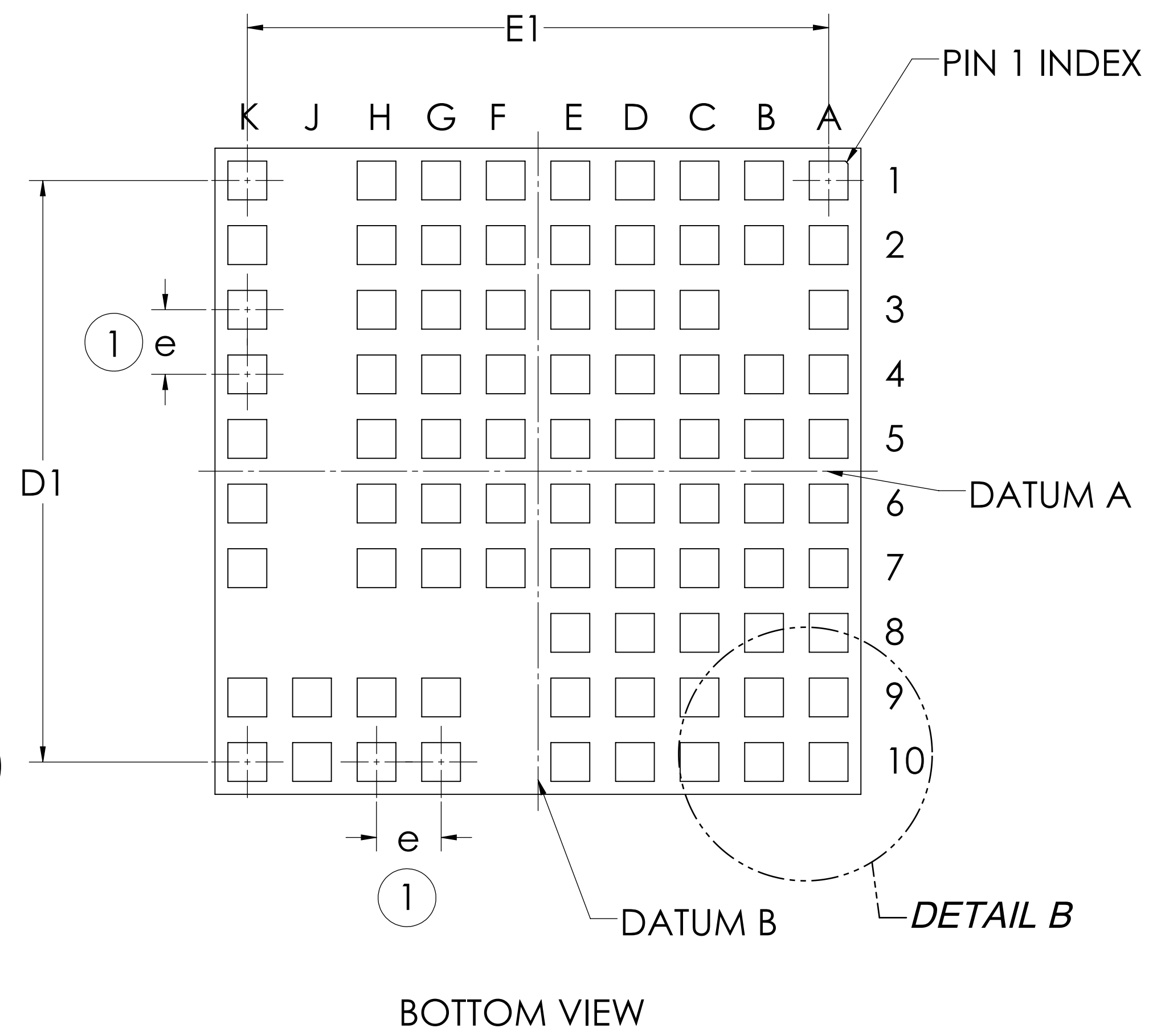
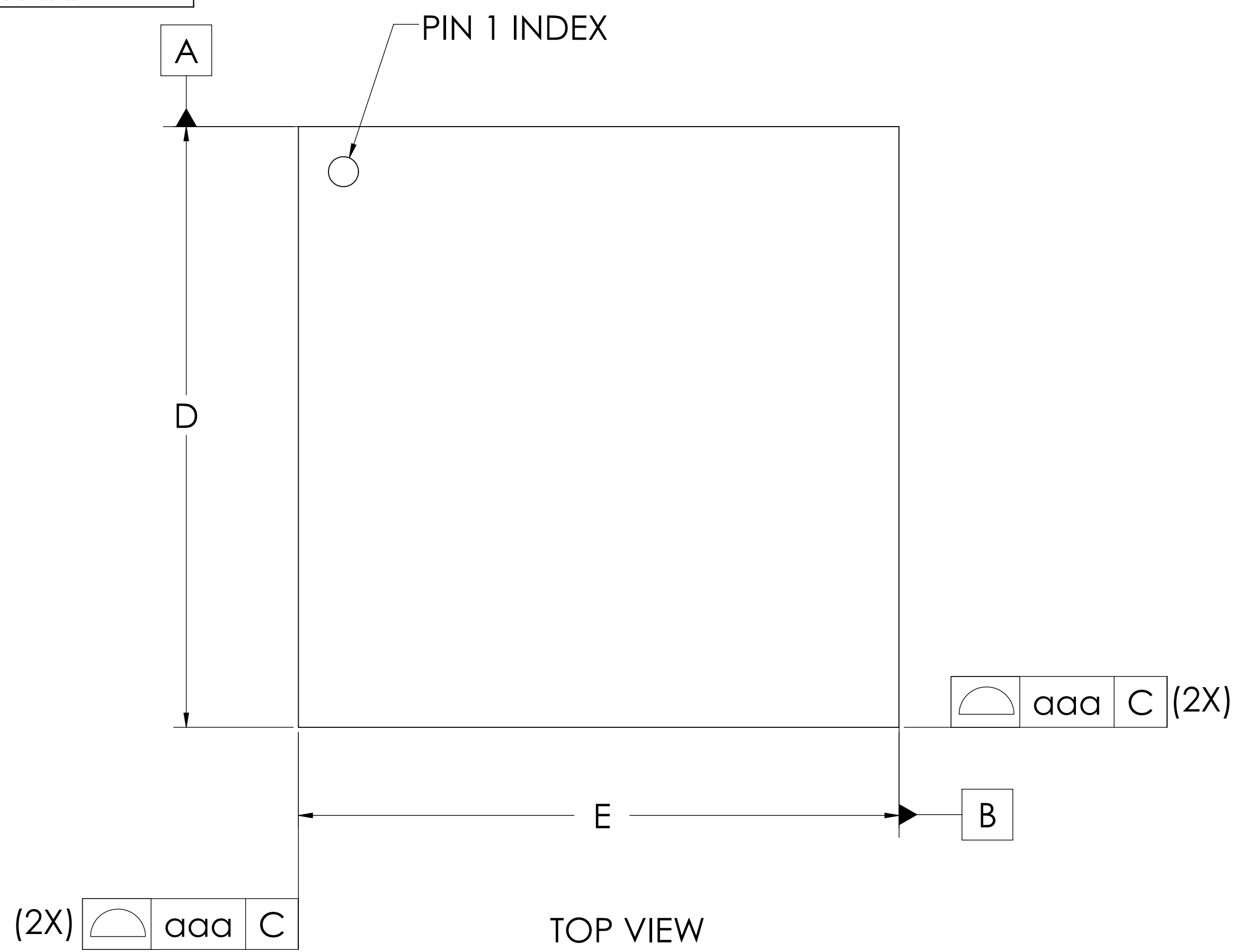
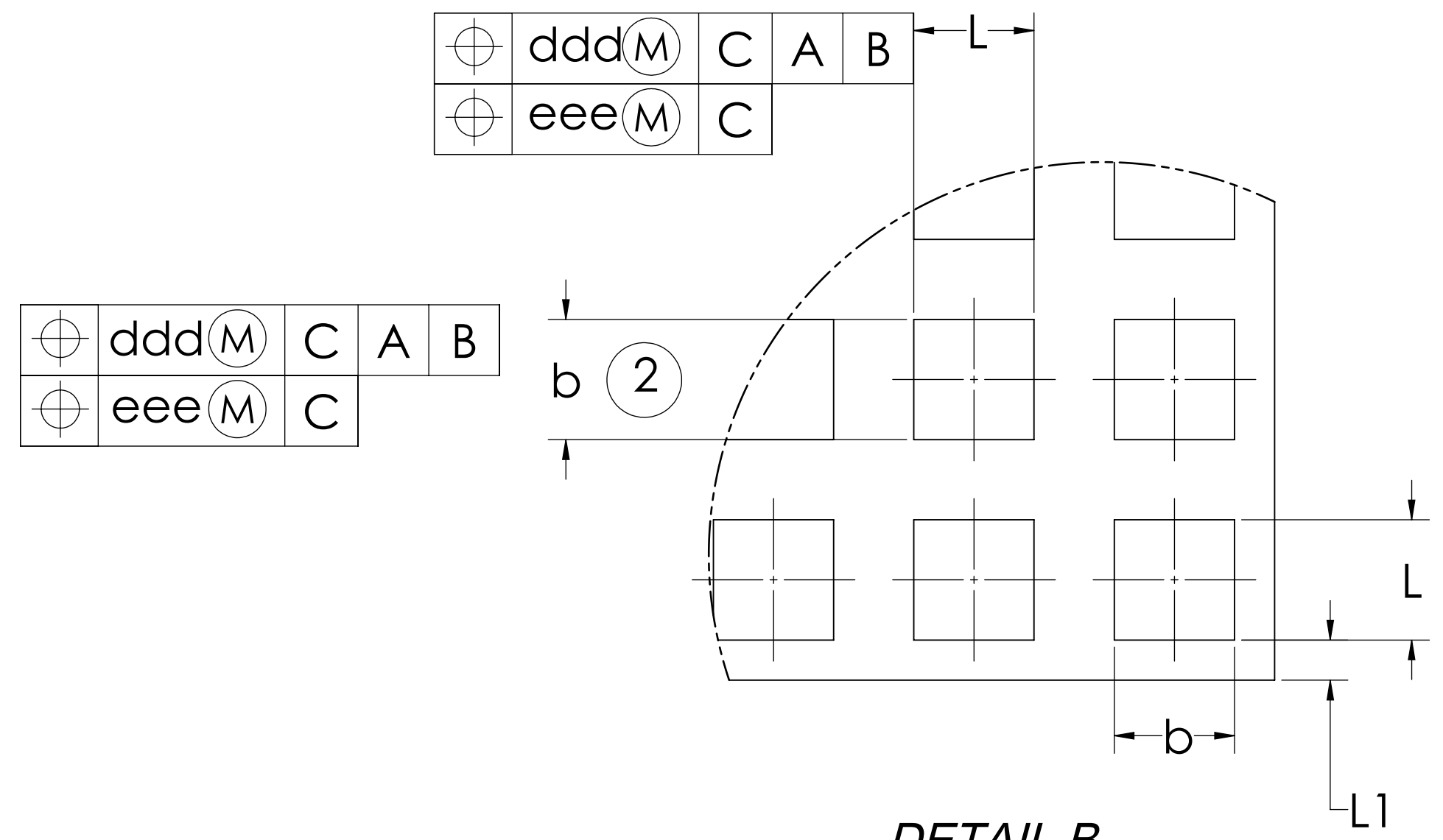
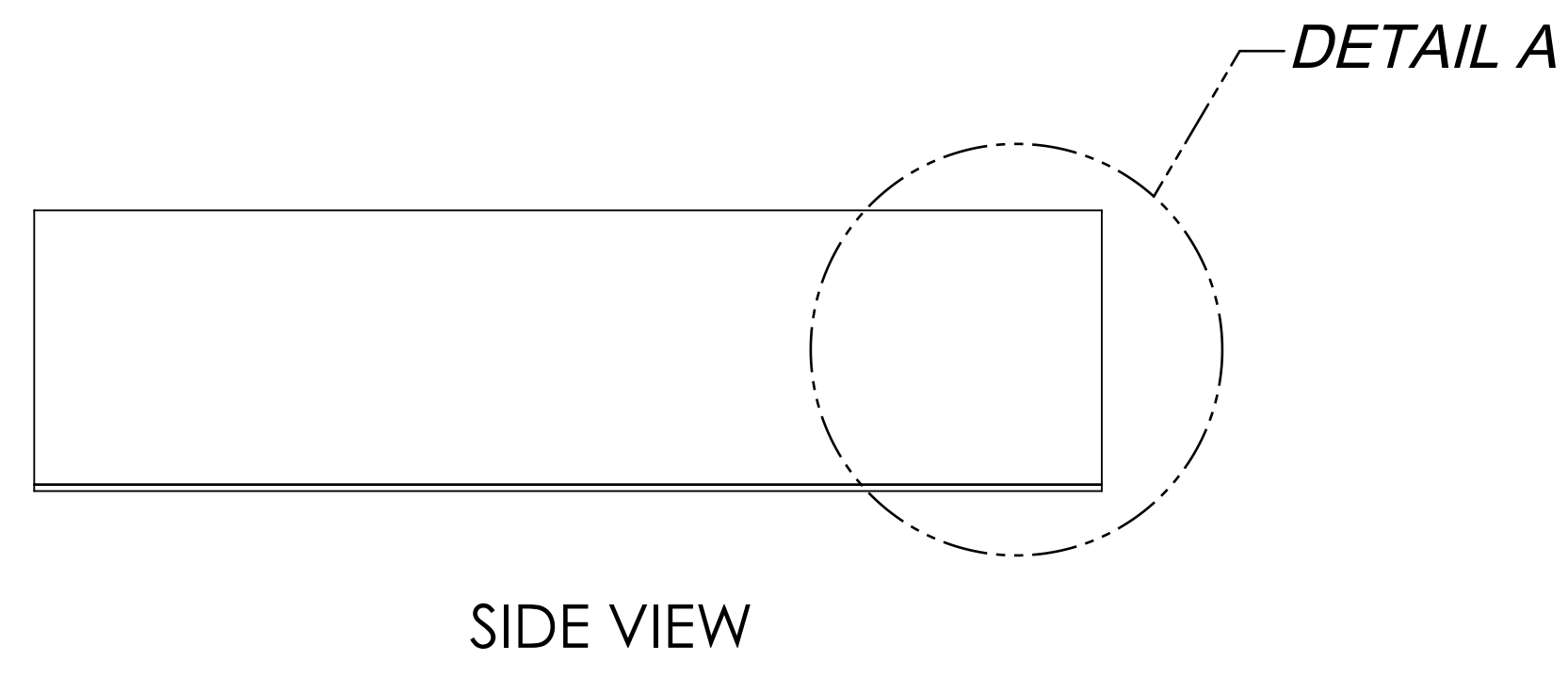


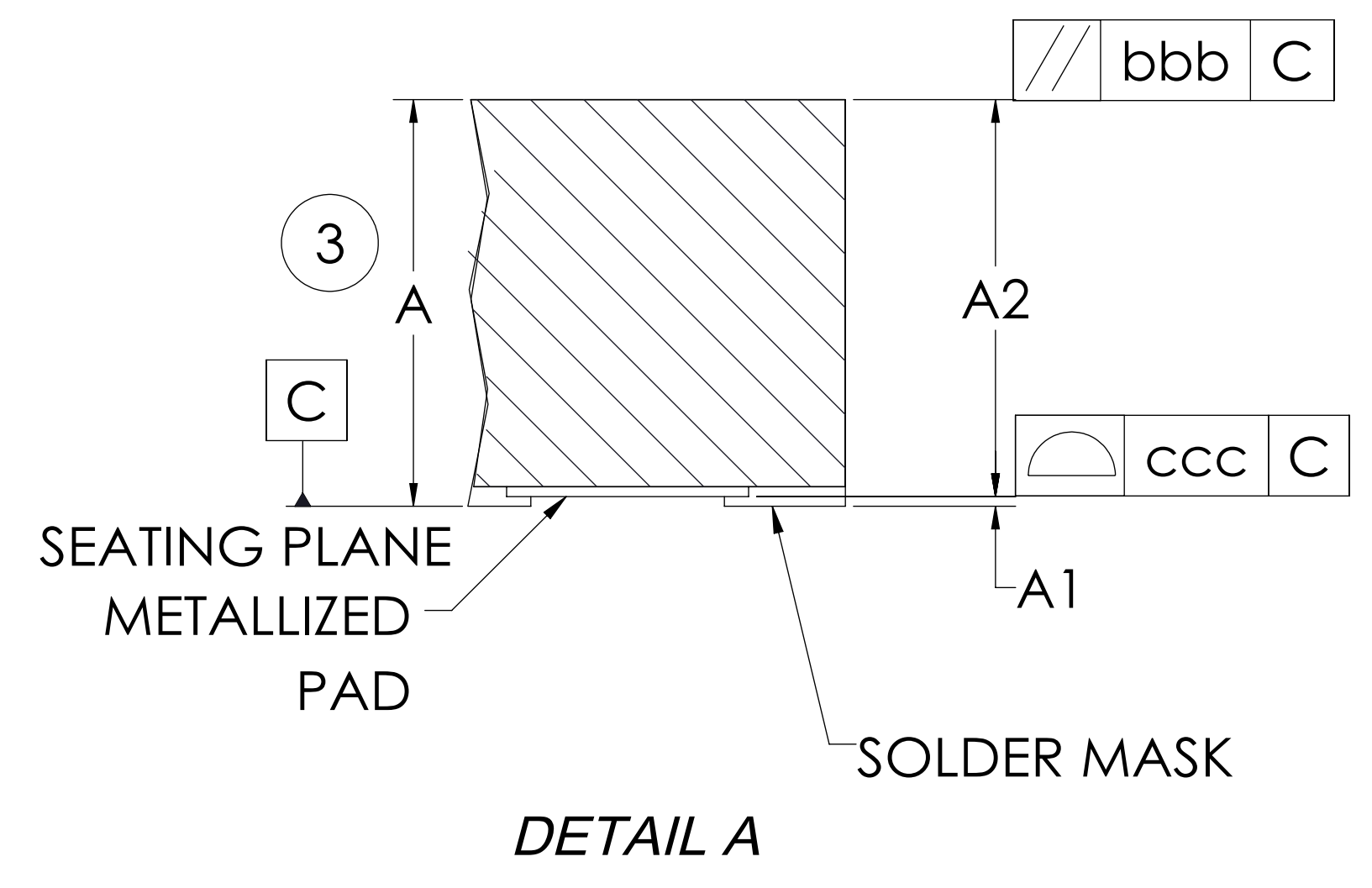
REV.	DESCRIPTION	INTL	DATE	APVD
#1	DRAWN FOR DEVELOPMENT	JF	12/3/2015	GK
#2	ADDED NOTE 6	YG	01/27/17	TW
#3	CORRECT "b", "e" DIMENSION ON PG. 2	YG	05/18/17	TW
#4	UPDATED PER UTAC MARKETING OUTLINE DRAWING	JM	12/12/17	GK
#5	REMOVED PI3755 FROM TOP & BOTTOM VIEW PAGE 1	CY	07/31/18	GCK



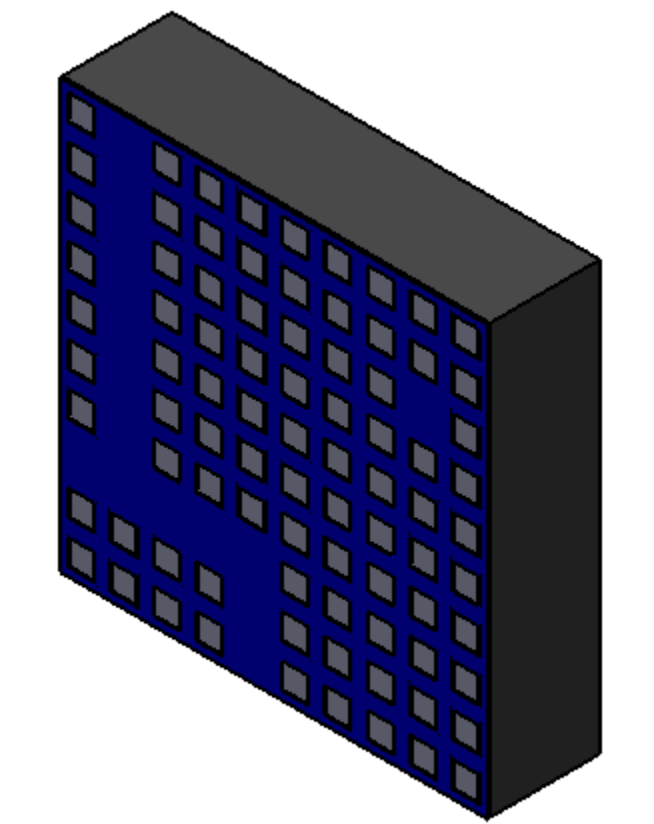
PI354x			
REF	Min.	Nom.	Max.
A	2.49	2.56	2.63
A1	-	-	0.04
A2	-	-	2.59
b	0.50	0.55	0.60
L	0.50	0.55	0.60
D	10.00 BSC		
E	10.00 BSC		
D1	9.00 BSC		
E1	9.00 BSC		
e	1.00 BSC		
L1	0.175	0.225	0.275



REF.	TOLERANCE OF FORM AND POSITION
aaa	0.10
bbb	0.10
ccc	0.08
ddd	0.10
eee	0.08



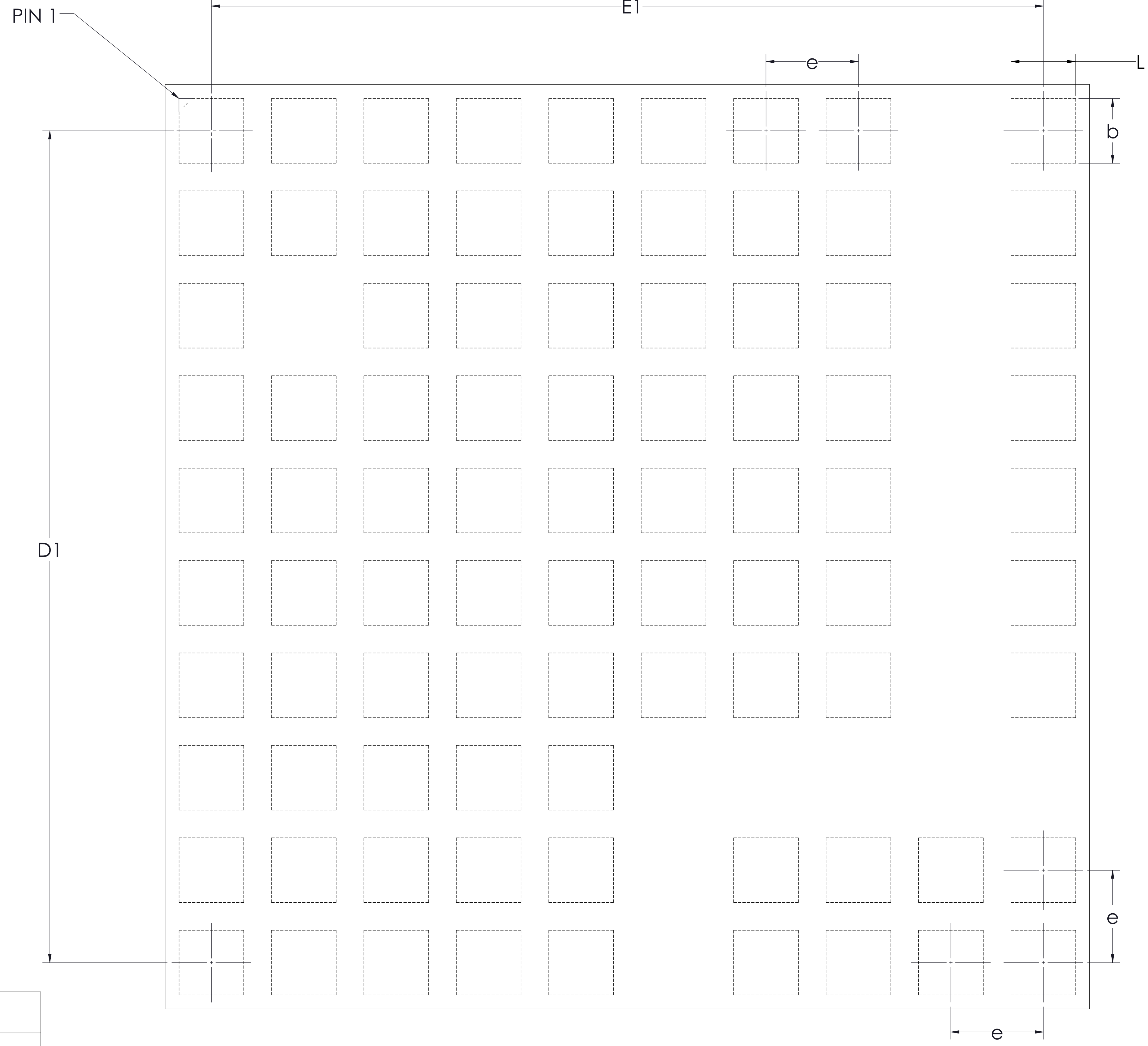
- NOTES:
- 'e' REPRESENTS THE BASIC TERMINAL PITCH. SPECIFIES THE GEOMETRIC POSITION OF THE TERMINAL AXIS.
 - DIMENSION 'b' APPLIES TO METALLIZED TERMINAL AND IS MEASURED BETWEEN 0.00mm AND 0.25mm FROM TERMINAL TIP.
 - DIMENSION 'A' INCLUDES PACKAGE WARPAGE.
 - EXPOSED METALLIZED PADS ARE CU PADS WITH SURFACE FINISH PROTECTION.
 - ALL DIMENSIONS ARE IN MM UNLESS OTHERWISE SPECIFIED.
 - RoHS COMPLIANT PER CST-0001 LATEST REVISION.



DRAWN BY Jackson Flynn	DATE 12/3/2015	VICOR		SWD
UNLESS OTHERWISE SPECIFIED DIMENSIONS ARE MM (INCH)		PICOR PI354x		
TOLERANCES ARE: DECIMALS: ±0.25 (0.01) #11 X.XXX (0.005) ±0.12 (0.005)		SIZE D	CAGE CODE 67131	DWG NO 43264
THIRD ANGLE PROJECTION		SCALE 15:1	REV #5	SHEET 1 OF 3


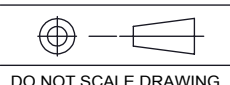
VICOR CONFIDENTIAL
 THIS DOCUMENT AND THE DATA DISCLOSED HEREIN OR
 HEREWITH IS NOT TO BE REPRODUCED, USED OR
 DISCLOSED IN WHOLE OR IN PART TO ANYONE WITHOUT
 THE PERMISSION OF VICOR CORP.

REVISIONS			
REV	DESCRIPTION	DATE	APPROVED
	SEE SHEET 1		



DIMENSIONAL REFERENCES			
REF.	MIN.	NOM.	MAX.
b & L	0.50	0.55	0.60
D1		9.00 BSC	
E1		9.00 BSC	
e		1.00 BSC	

PCB LAND PATTERN
 PI354X

DRAWN BY Jackson Flynn	DATE 12/3/2015	 VICOR <small>SWD</small>	
UNLESS OTHERWISE SPECIFIED DIMENSIONS ARE MM (INCH)		PICOR PI354x	
TOLERANCES ARE: DECIMALS ANGLES X.XX (X.XX) = +0.25 (0.01) ±1° X.XXX (X.XXX) = ±0.127 (0.005)		SIZE D	CAGE CODE 67131
THIRD ANGLE PROJECTION 		DWG NO 43264	REV #5
DO NOT SCALE DRAWING		SCALE 40:1	SHEET 2 OF 3

VICOR CONFIDENTIAL
THIS DOCUMENT AND THE DATA DISCLOSED HEREIN OR HEREWITH IS NOT TO BE REPRODUCED, USED OR DISCLOSED IN WHOLE OR IN PART TO ANYONE WITHOUT THE PERMISSION OF VICOR CORP.

REVISIONS			
REV	DESCRIPTION	DATE	APPROVED
	SEE SHEET 1		

PIN 1 INDEX



TOP THROUGH VIEW OF PRODUCT
PI354X

DRAWN BY Jackson Flynn	DATE 12/3/2015	PICOR PI354x			
<small>UNLESS OTHERWISE SPECIFIED DIMENSIONS ARE MM (INCH) TOLERANCES ARE: DECIMALS ANGLES XXX (XXX) = +0.25 (0.01) ±1° X.XXX (X.XXX) = ±0.127 (0.005)</small>					
<small>THIRD ANGLE PROJECTION</small> 		<small>SIZE</small> D	<small>CAGE CODE</small> 67131	<small>DWG NO</small> 43264	<small>REV</small> #5
<small>DO NOT SCALE DRAWING</small>		<small>SCALE</small> 40:1	<small>SHEET</small> 3 OF 3		