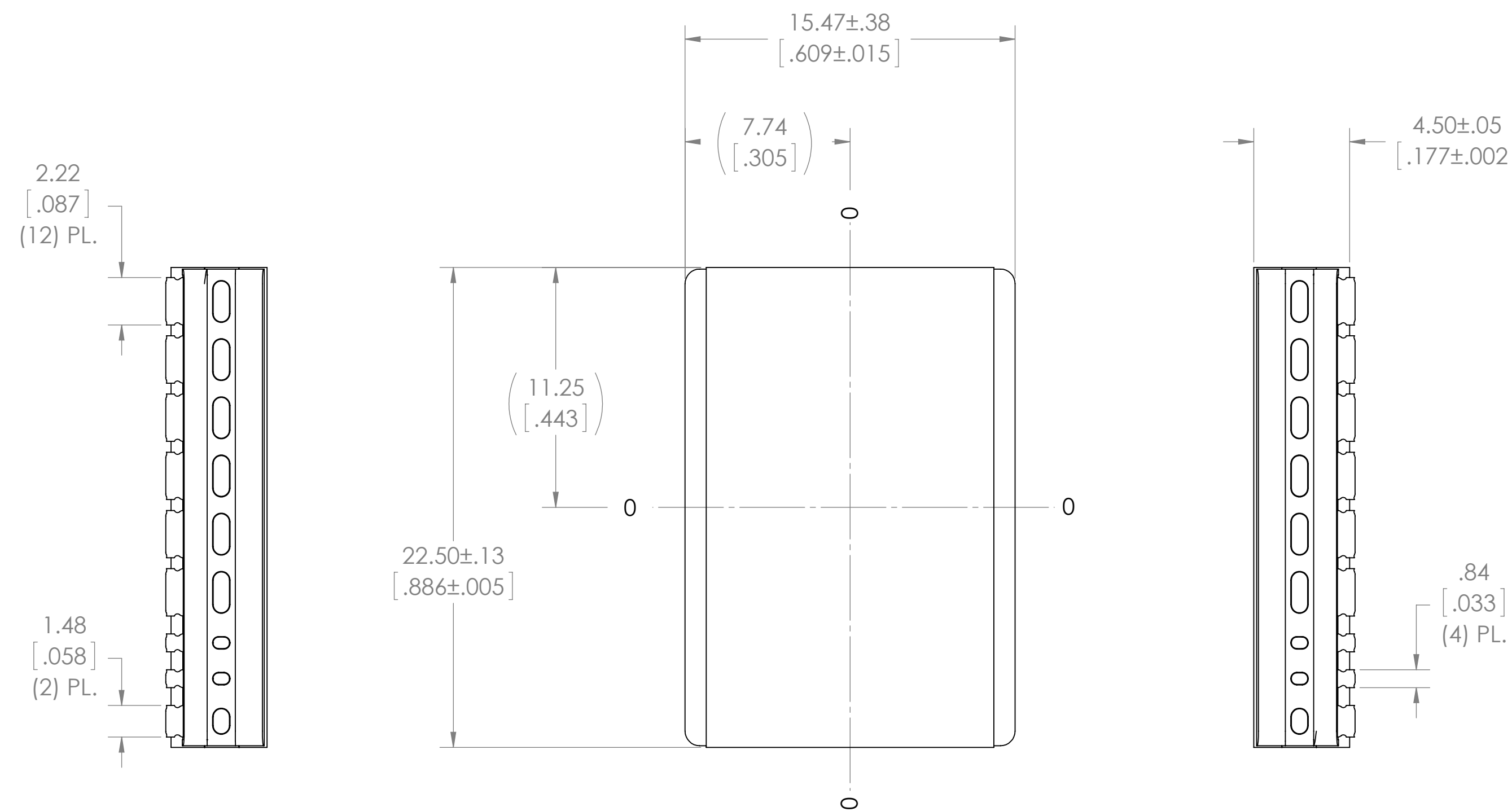
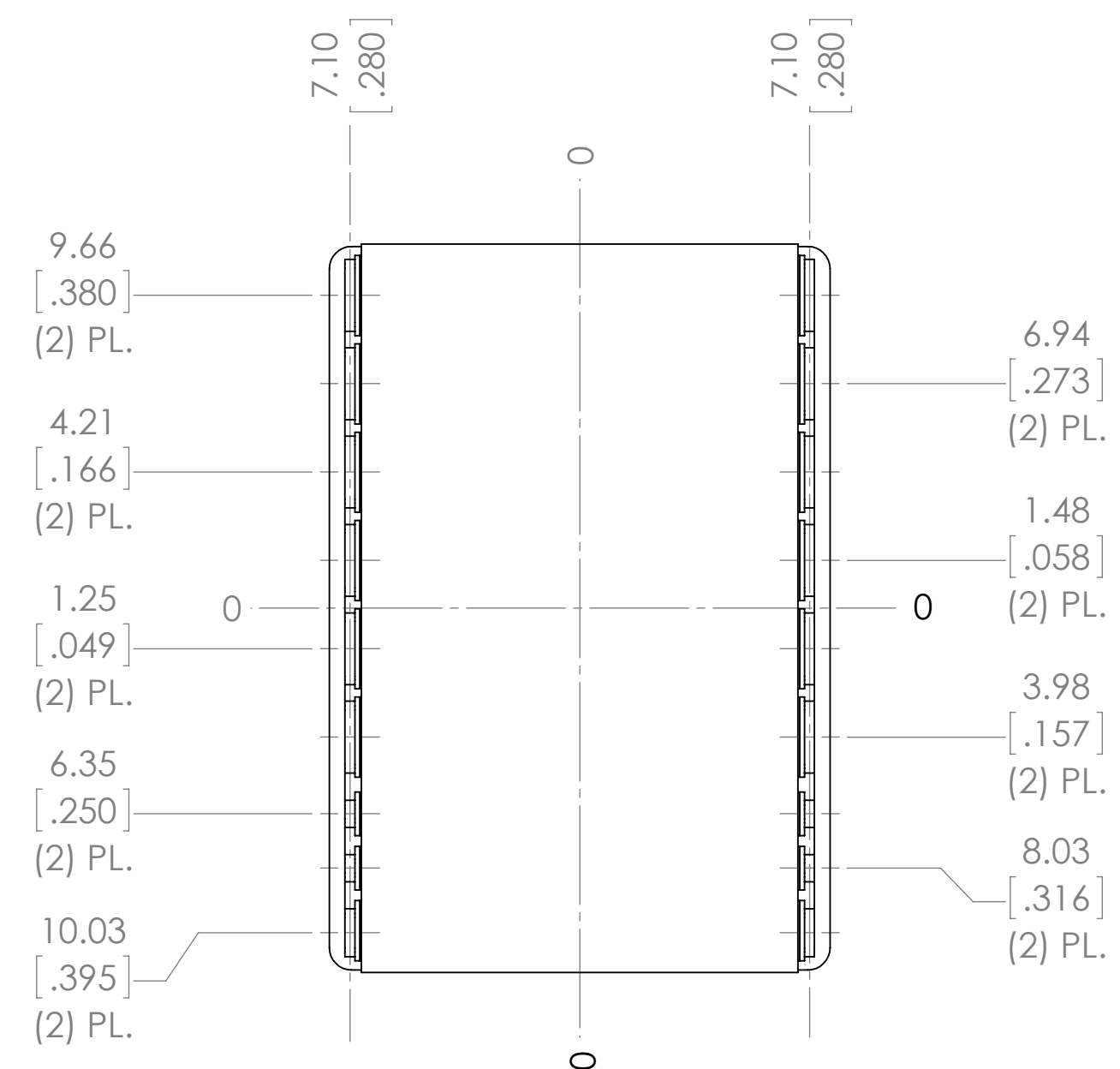


VICOR CONFIDENTIAL
 THIS DOCUMENT AND THE DATA DISCLOSED HEREIN OR
 HEREON IS NOT TO BE REPRODUCED, COPIED, OR
 DISCLOSED IN WHOLE OR IN PART TO ANYONE WITHOUT
 THE PERMISSION OF VICOR CORP.

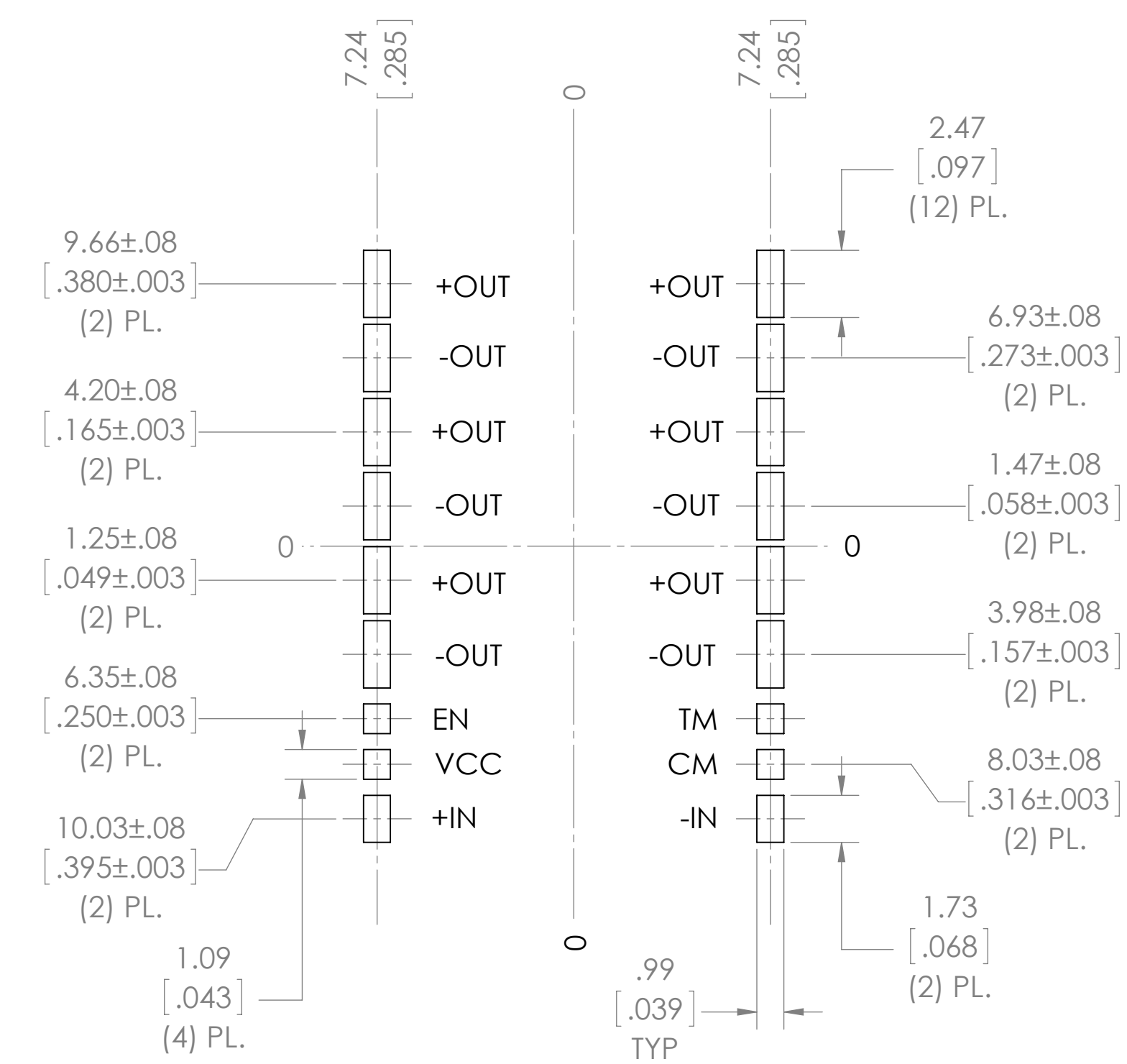
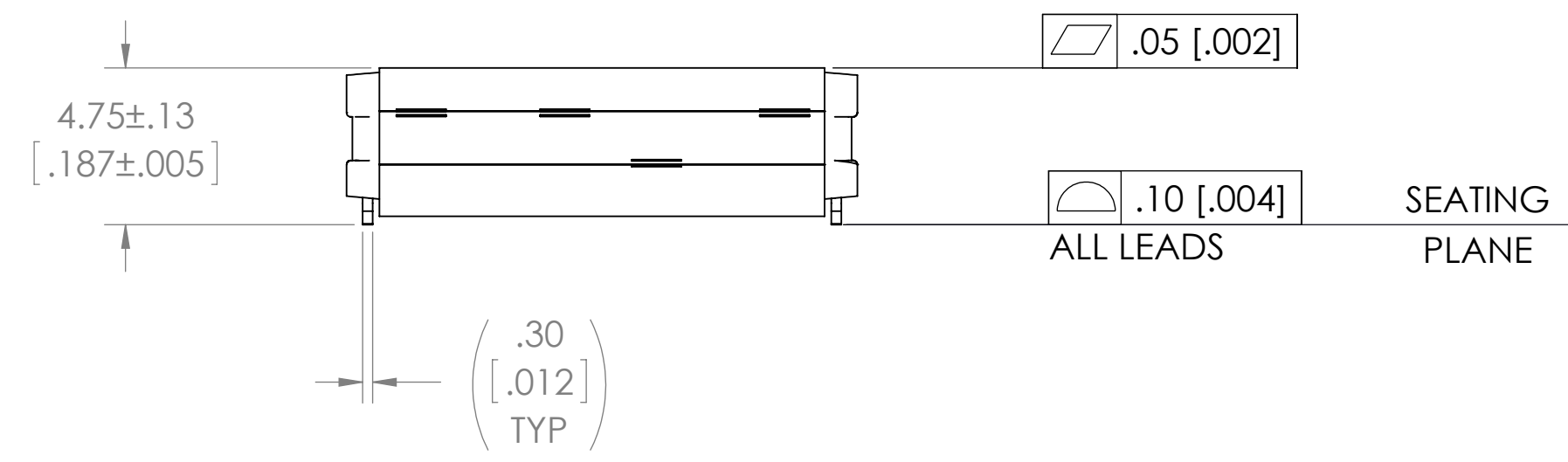
| REV. | DESCRIPTION | INTL | DATE | APVD |
|------|---------------------|------|----------|------|
| 1 | RELEASE PER E140829 | REJH | 06/25/13 | JT |



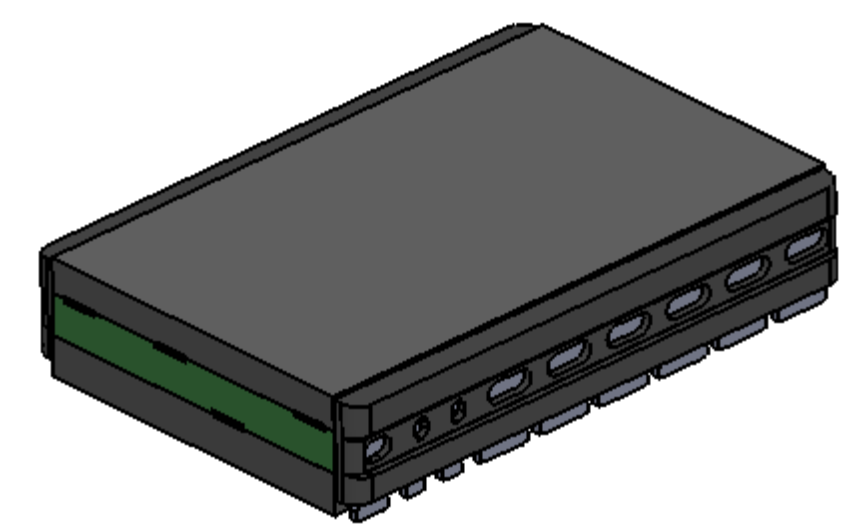
TOP VIEW (COMONENT SIDE)



BOTTOM VIEW



RECOMMENDED LAND PATTERN
 (COMPONENT SIDE)



NOTES:
 1- RoHS COMPLIANT, LEAD FREE PER CST-0001 LATEST REVISION.

| | | | | | |
|--|------------------|---|---------------------------|------------------------|-----------------|
| DRAWN BY R.E.J. Hickey | DATE 9/5/2013 | VICOR | | SWD | |
| UNLESS OTHERWISE SPECIFIED DIMENSIONS ARE: INCH / [MM] | | PRODUCT OUTLINE 1323 SURFACE MOUNT | | | |
| TOLERANCES ARE: DECIMALS ANGLES X.XX (X.X) = +0.01 (0.25) ±1° X.XXX (X.XX) = ±0.005 (0.127) | | SIZE D | CAGE CODE 67131 | DWG NO 40242 | REV 1 |
| THIRD ANGLE PROJECTION DO NOT SCALE DRAWING | | SCALE 5:1 | SHEET 1 OF 1 | | |