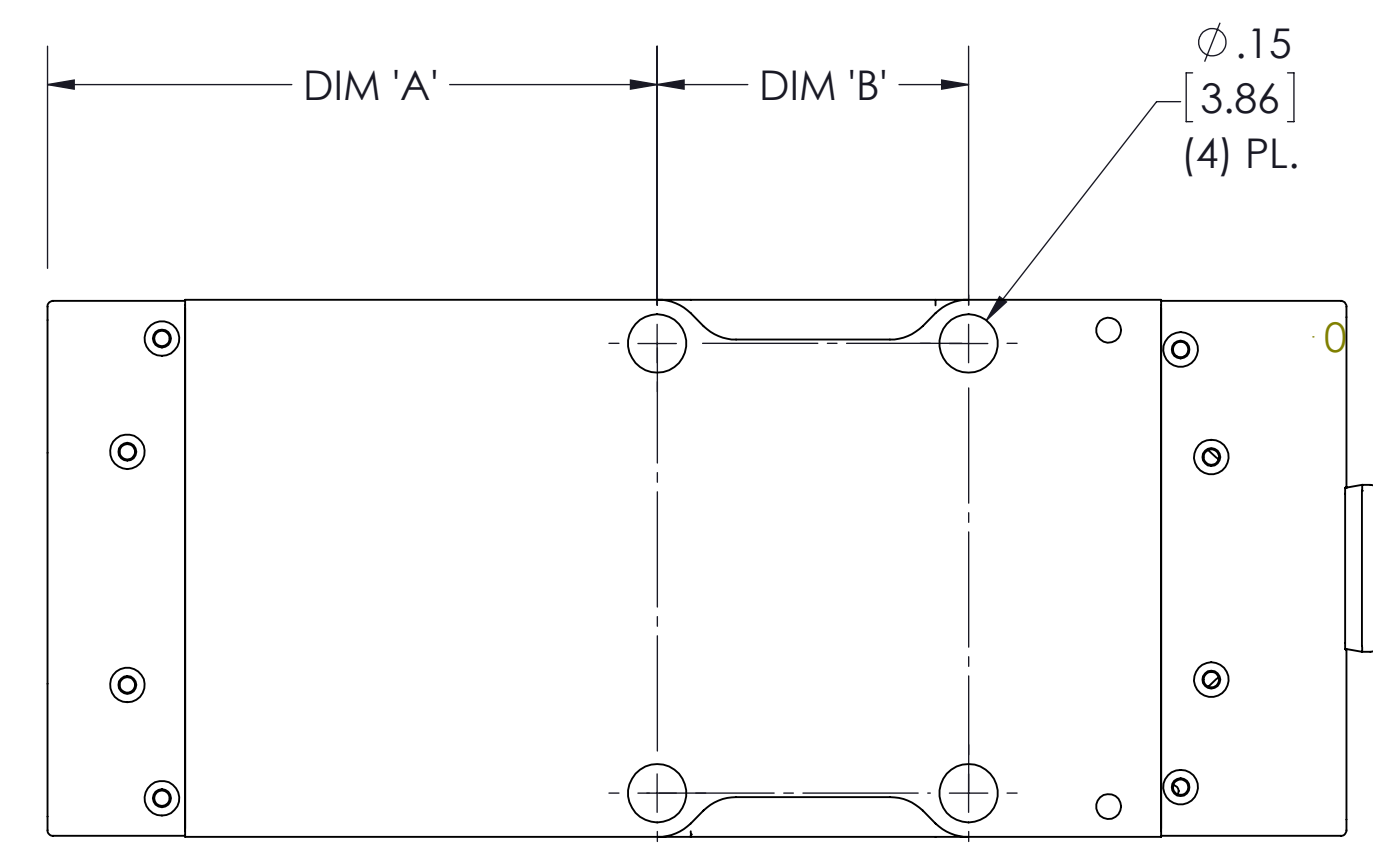
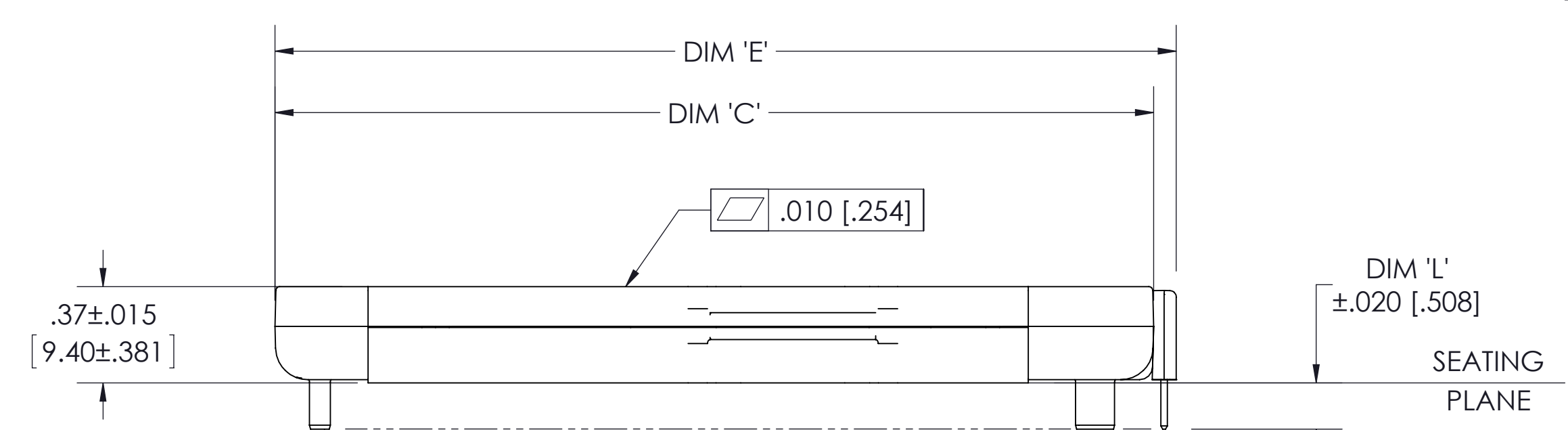


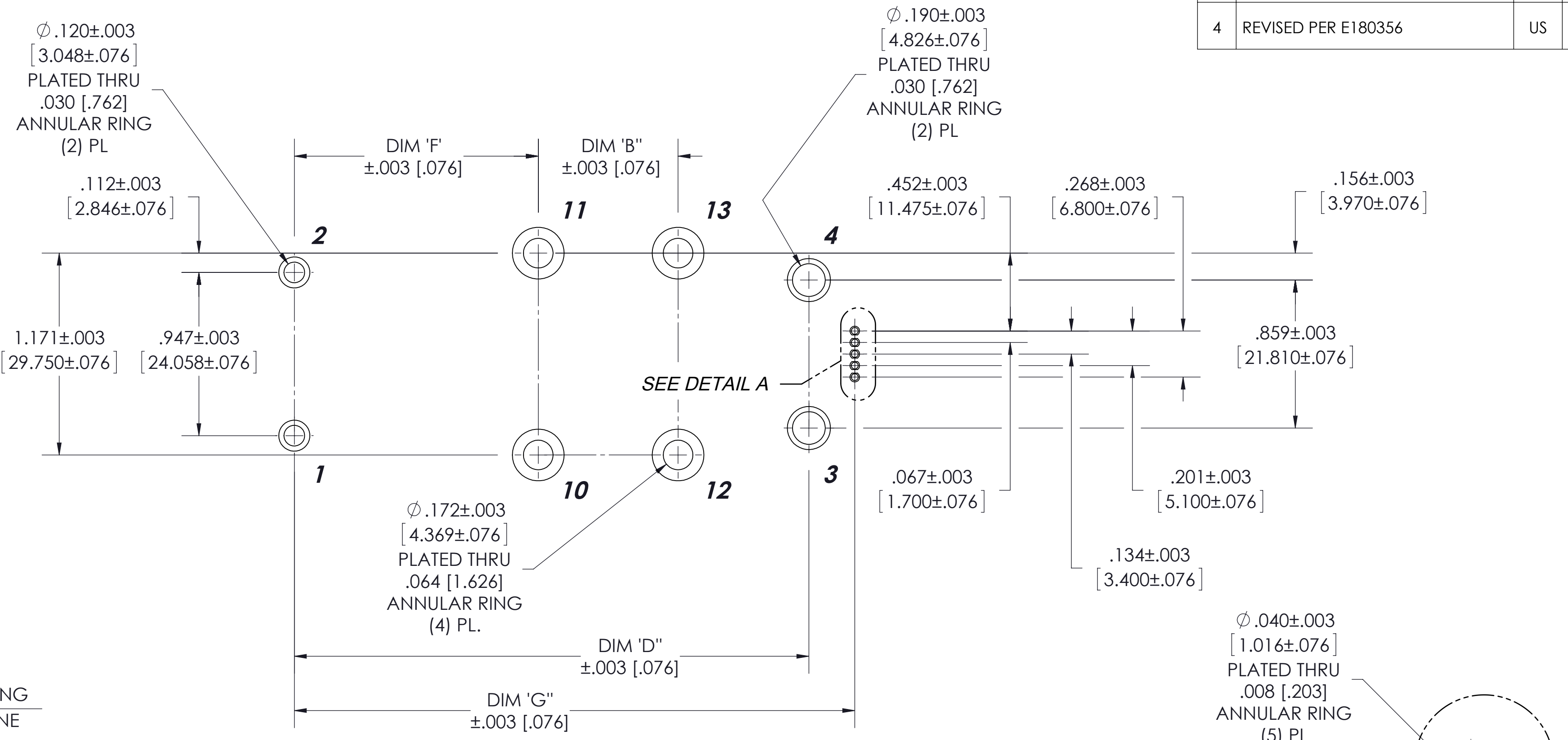
REV.	DESCRIPTION	INTL	DATE	APVD
1	RELEASE PER ECO E151379c	MTB	01/06/2016	MG
2	REVISED PER E171079	JM	12/12/17	REJH
3	REVISED PER E180134	REJH	02/18/18	DK
4	REVISED PER E180356	US	05/14/18	REJH



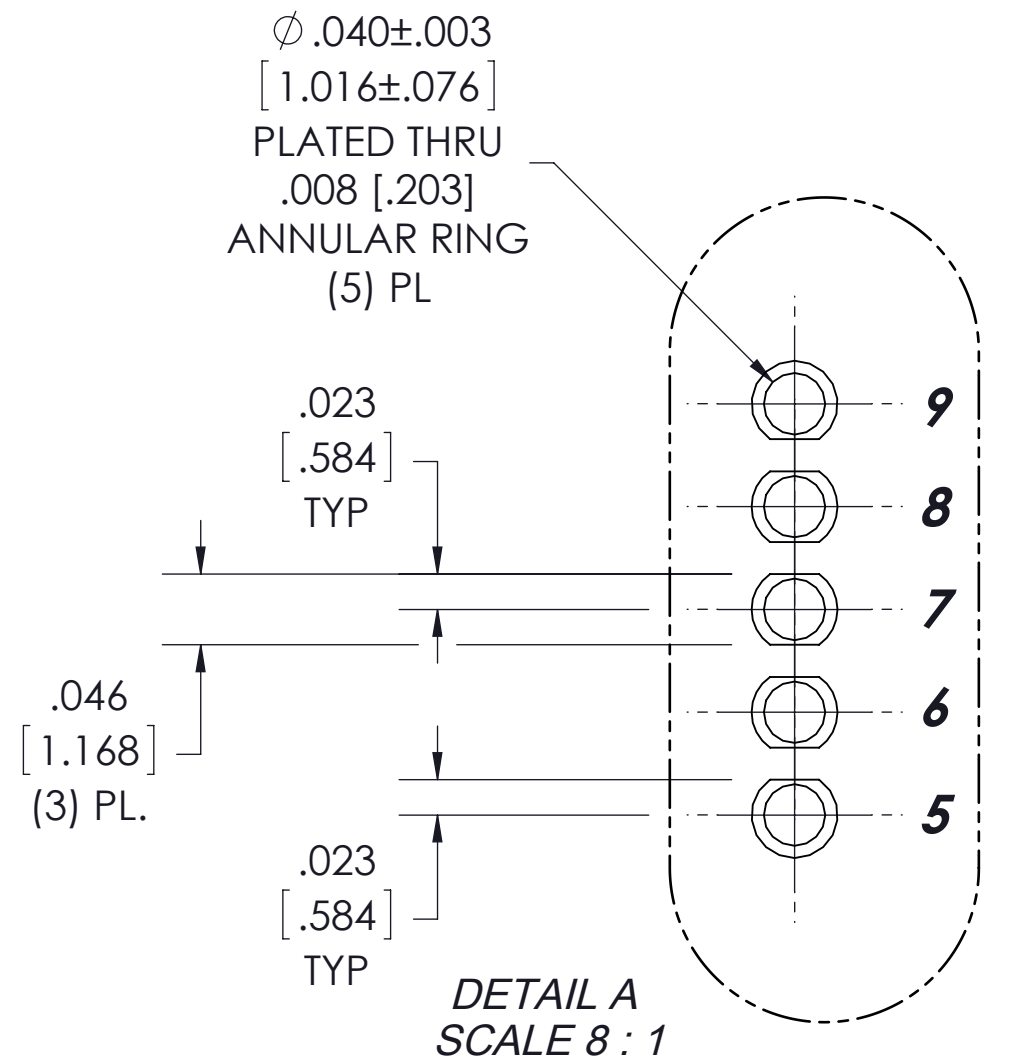
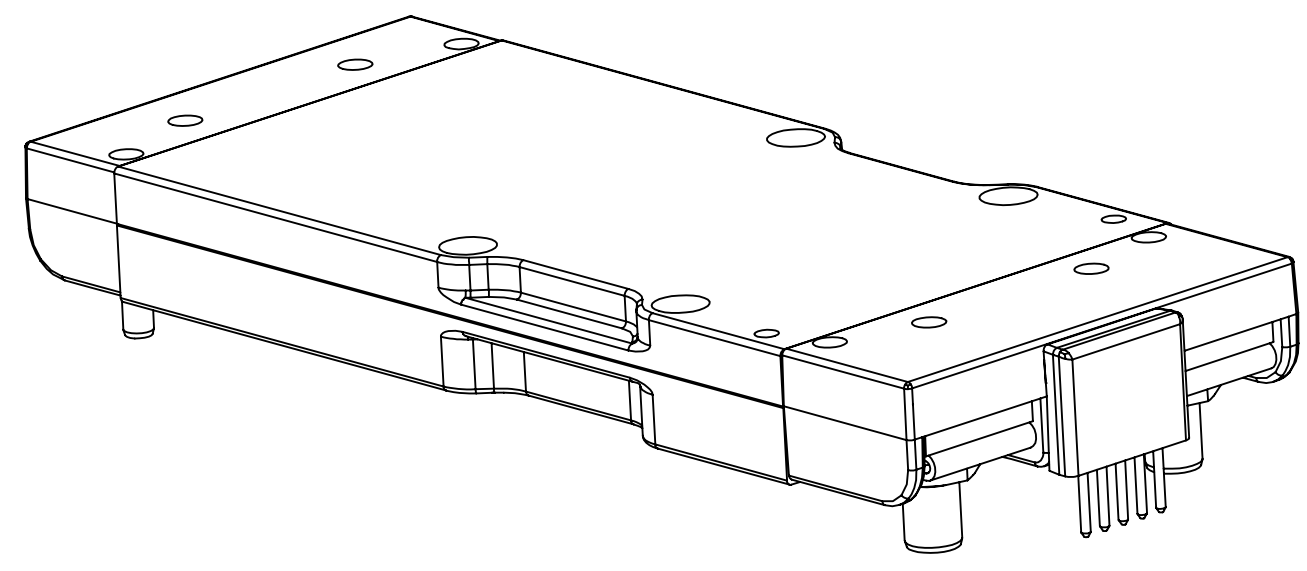
**TOP VIEW**  
(COMPONENT SIDE)



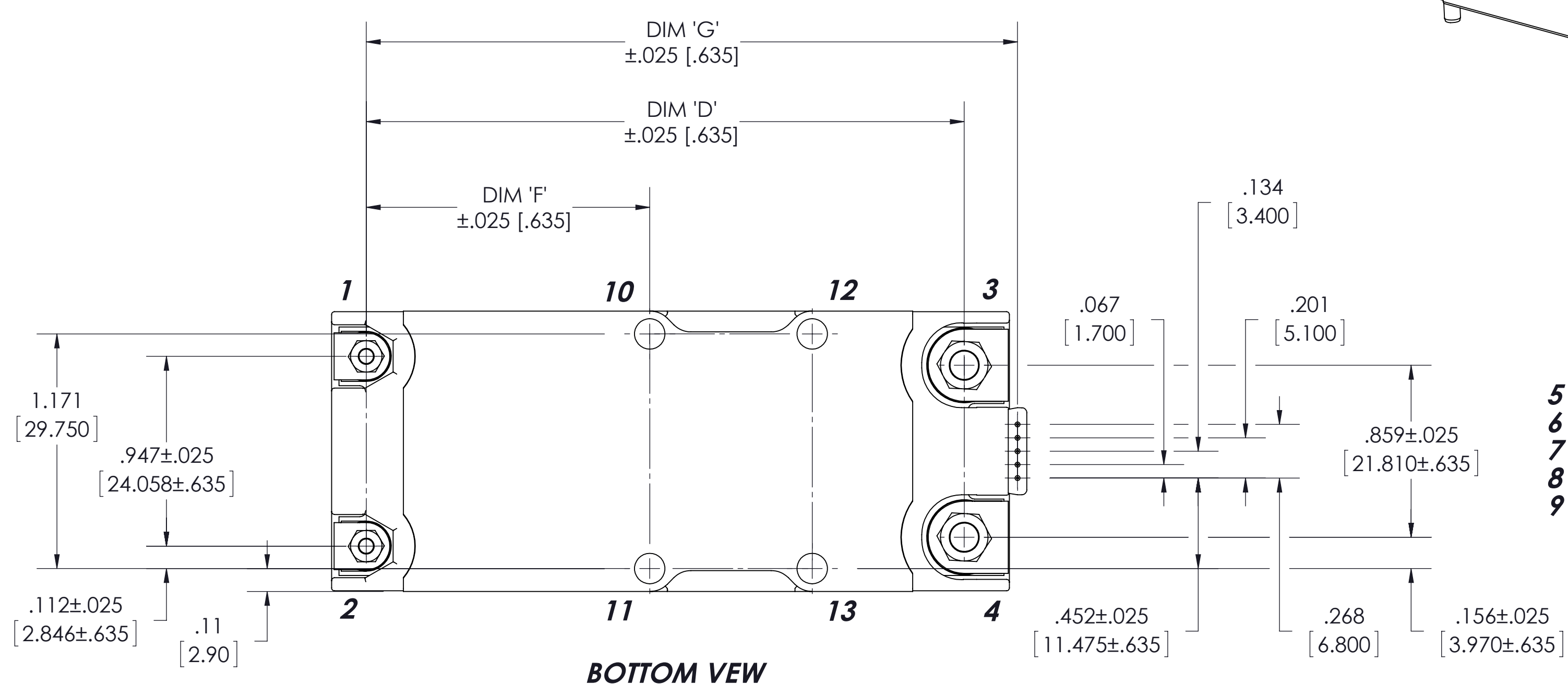
DIM 'L'	
SHORT	.103 [2.607]
LONG	.182 [4.613]



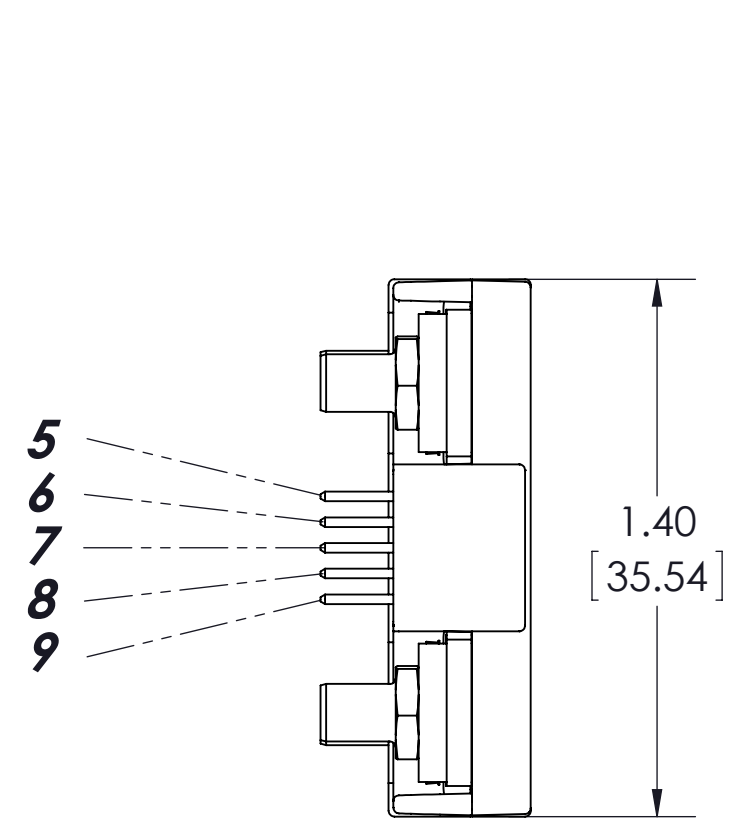
**RECOMMENDED HOLE PATTERN**  
(COMPONENT SIDE)



**DETAIL A**  
SCALE 8:1



**BOTTOM VIEW**



PRODUCT	DIM 'A'	DIM 'B'	DIM 'C'	DIM 'D'	DIM 'E'	DIM 'F'	DIM 'G'
3414 DCM	1.61 [40.93]	.788 [20.005]	3.38 [85.93]	2.988 [75.897]	3.47 [88.14]	1.439 [36.554]	3.251 [82.586]
3714 DCM	1.61 [40.93]	1.150 [29.200]	3.75 [95.13]	3.350 [85.092]	3.83 [97.34]	1.439 [36.554]	3.613 [91.781]
4414 BCM	1.61 [40.93]	1.757 [44.625]	4.35 [110.55]	3.957 [100.517]	4.44 [112.76]	1.439 [36.554]	4.221 [107.206]
4414 PFM	1.61 [40.93]	1.757 [44.625]	4.35 [110.55]	3.957 [100.517]	4.44 [112.76]	1.439 [36.554]	4.221 [107.206]

- NOTES:  
 1- RoHS COMPLIANT PER CST-0001 LATEST REVISION.  
 2- SEE PRODUCT DATA SHEET FOR PIN DESIGNATIONS.

DRAWN BY R.E.J. Hickey	DATE 7/27/2015	<b>VICOR</b>	
UNLESS OTHERWISE SPECIFIED DIMENSIONS ARE: INCH / [MM]		<b>PROD OUTL, VIA, PCB MNT, W/COMM.</b>	
TOLERANCES ARE: DECIMALS ANGLES XXX (X.XX) = +0.01 (0.25) °11 XXX (X.XXX) = ±0.005 (0.127) °11		SIZE <b>D</b>	CAGE CODE <b>67131</b>
THIRD ANGLE PROJECTION DO NOT SCALE DRAWING		DWG NO <b>42693</b>	REV <b>4</b>
SCALE 2:1		SHEET 1 OF 1	