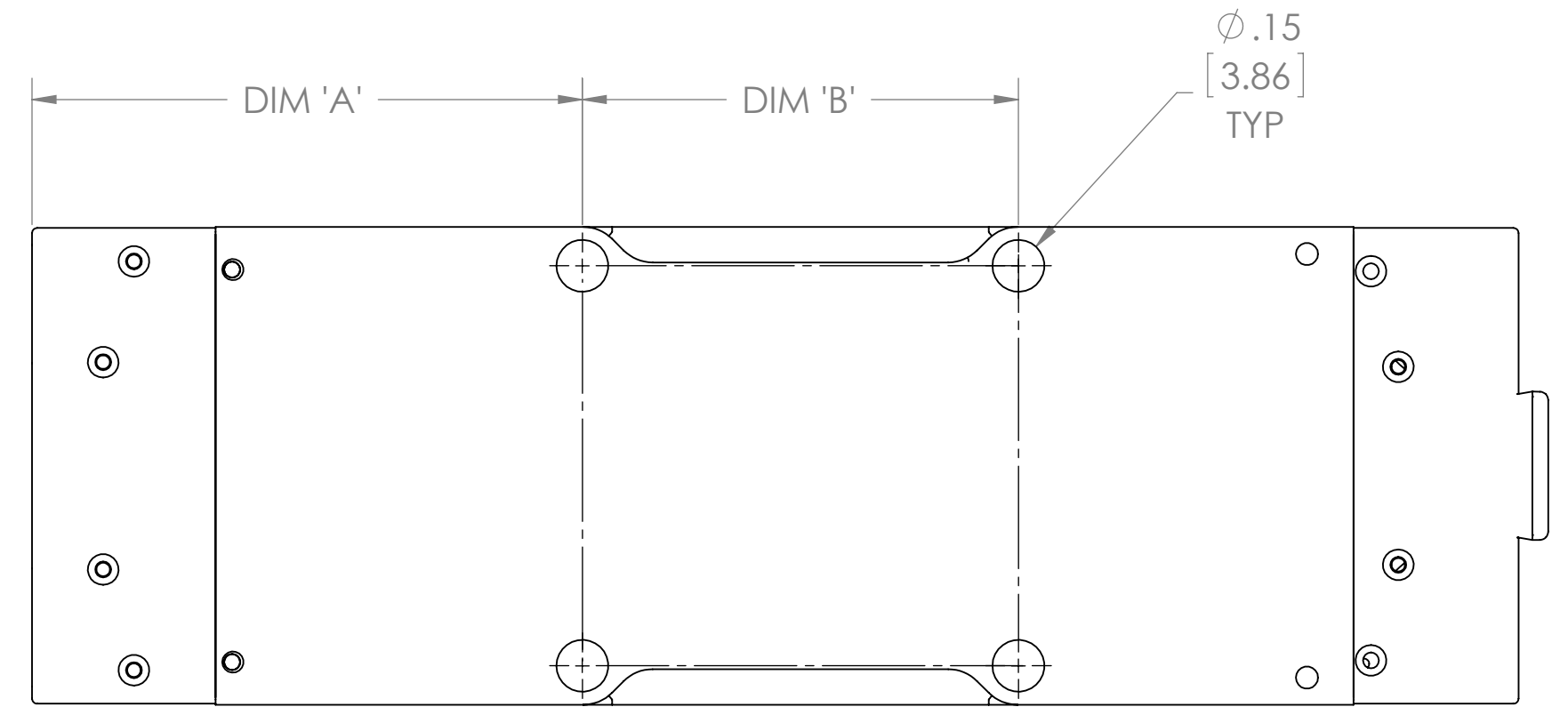
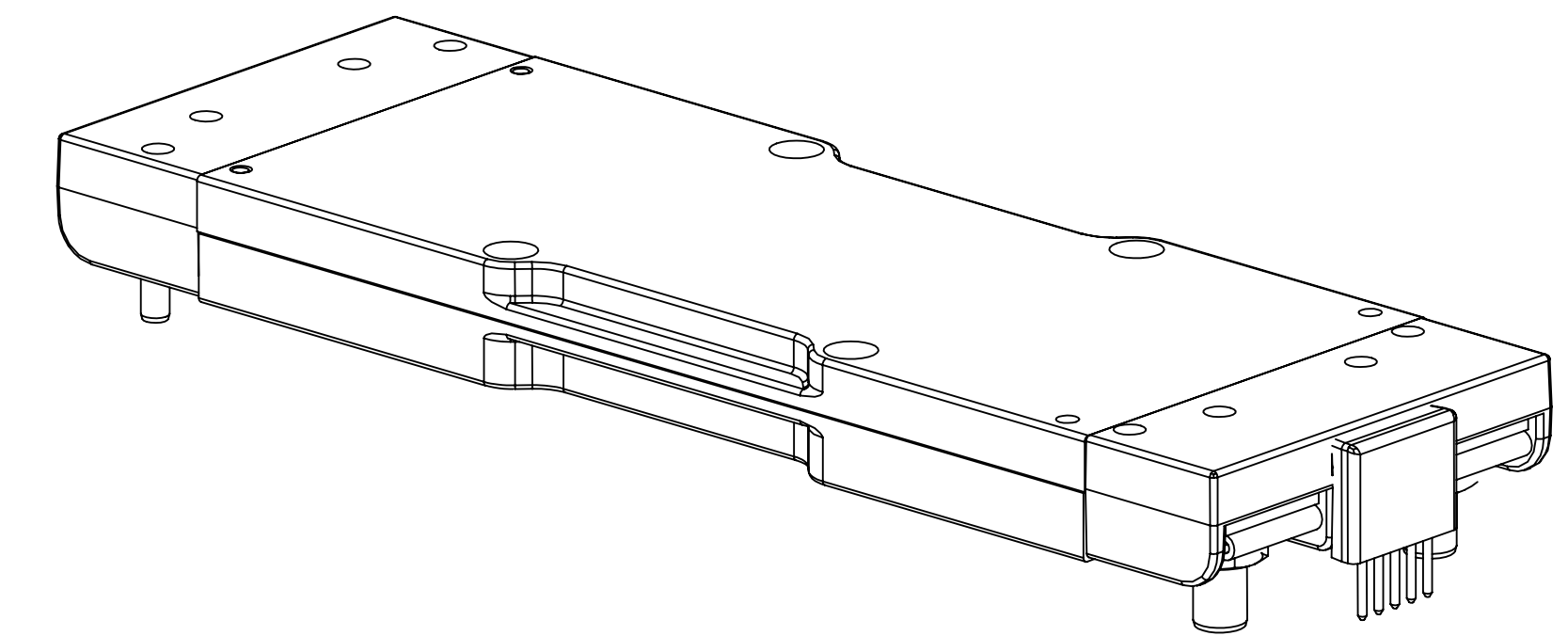
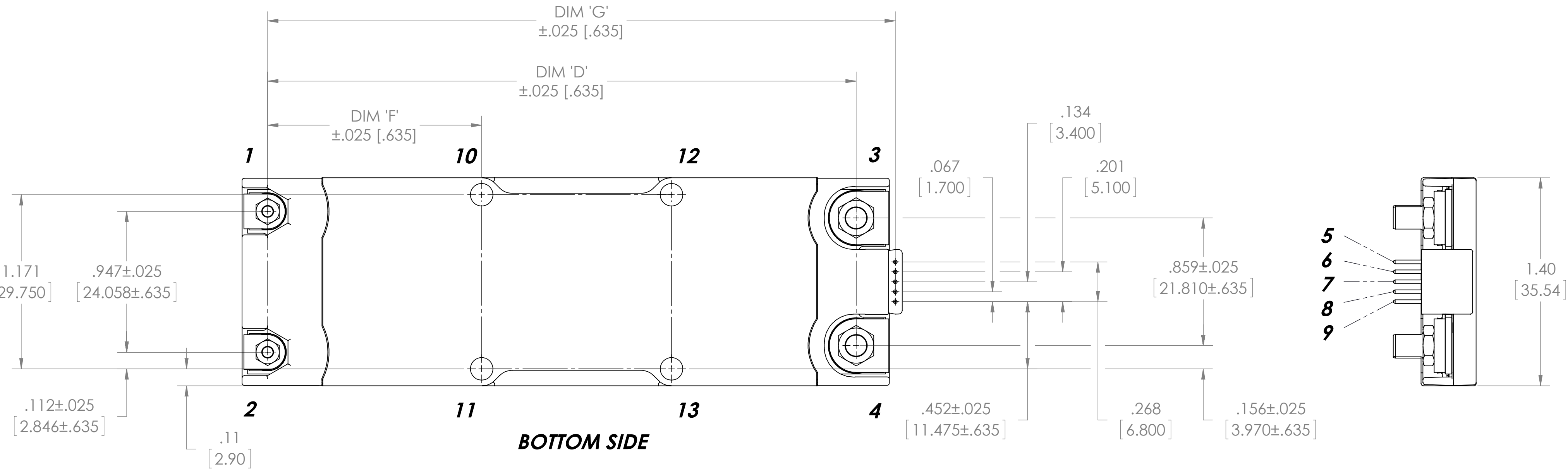
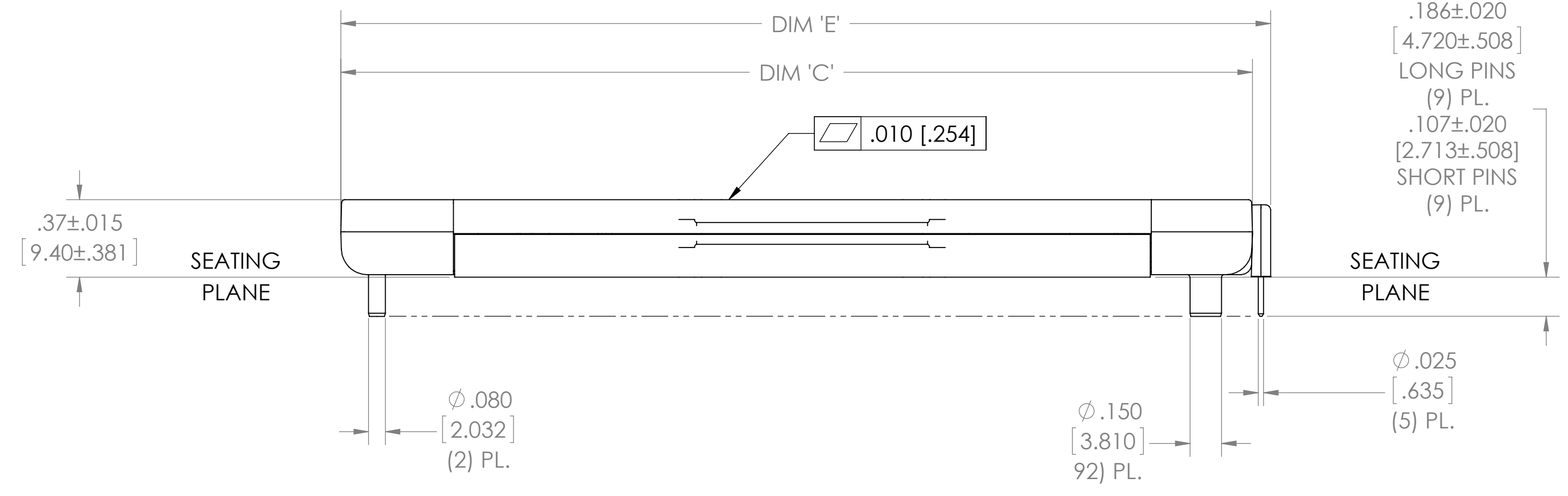


VICOR CONFIDENTIAL
 THIS DOCUMENT AND THE DATA DISCLOSED HEREIN OR
 HEREON IS NOT TO BE REPRODUCED, COPIED, OR
 DISCLOSED IN WHOLE OR IN PART TO ANYONE WITHOUT
 THE PERMISSION OF VICOR CORP.

REV.	DESCRIPTION	INTL	DATE	APVD
1	RELEASED PER 161072	GCK	11/04/16	SC
2	REVISED PER E161316a	GCK	12/28/16	REJH
3	REVISED PER E170242	GCK	03/13/17	YG
4	REVISED PER E171071a	JM	12/11/17	REJH
5	REVISED PER E180355	US	05/14/18	REJH



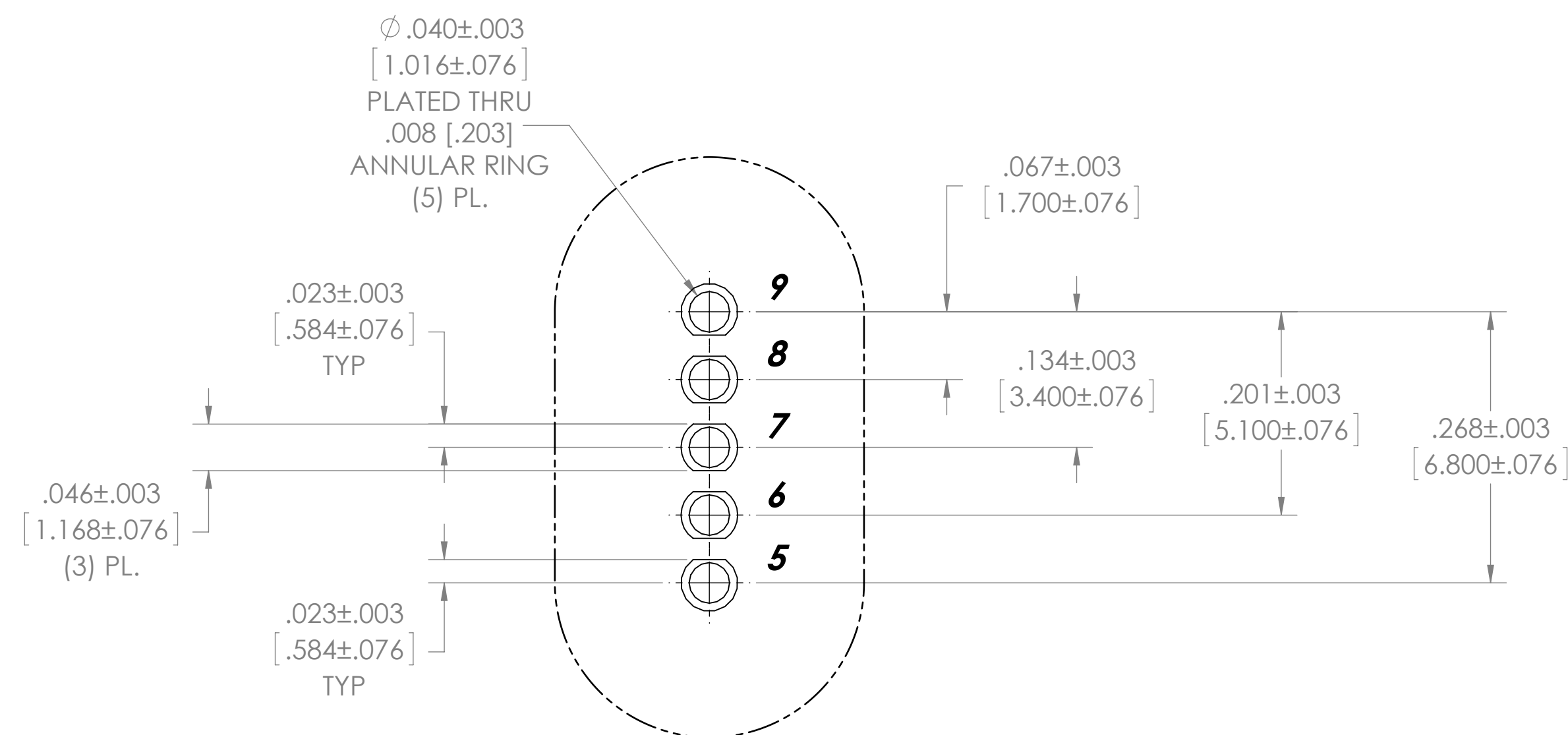
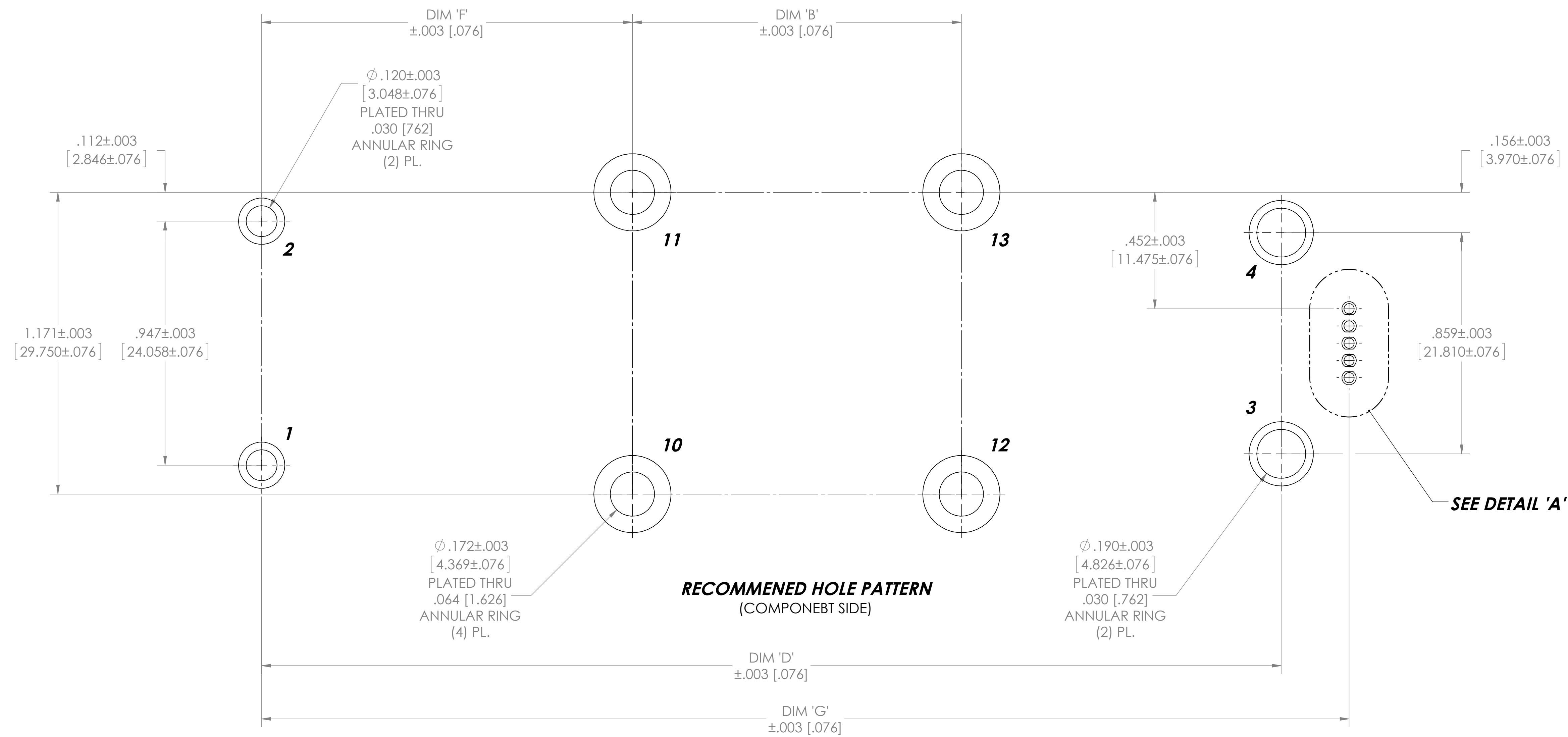
PRODUCT	DIM 'A'	DIM 'B'	DIM 'C'	DIM 'D'	DIM 'E'	DIM 'F'	DIM 'G'
3414 DCM	1.61 [40.93]	.788 [20.005]	3.38 [85.93]	2.988 [75.897]	3.47 [88.14]	1.439 [36.554]	3.251 [82.586]
3714 DCM	1.61 [40.93]	1.150 [29.200]	3.75 [95.13]	3.350 [85.092]	3.83 [97.34]	1.439 [36.554]	3.613 [91.781]
4414 BCM	1.61 [40.93]	1.757 [44.625]	4.35 [110.55]	3.957 [100.517]	4.44 [112.76]	1.439 [36.554]	4.221 [107.206]
4414 UHV BCM	1.65 [41.93]	1.718 [43.625]	4.35 [110.55]	3.957 [100.517]	4.44 [112.76]	1.479 [37.554]	4.221 [107.206]
4414 PFM	1.61 [40.93]	1.757 [44.625]	4.35 [110.55]	3.957 [100.517]	4.44 [112.76]	1.439 [36.554]	4.221 [107.206]
4414 PFM 3kV	1.61 [40.93]	1.658 [42.110]	4.35 [110.55]	3.957 [100.517]	4.44 [112.76]	1.439 [36.554]	4.221 [107.206]
4914 PFM	2.17 [55.12]	1.757 [44.625]	4.91 [124.75]	4.517 [114.741]	5.00 [126.96]	1.999 [50.777]	4.780 [121.430]



- NOTES:
- 1- RoHS COMPLIANT PER CST-0001 LATEST REVISION.
 - 2- SEE PRODUCT DATA SHEET FOR PIN DESIGNATIONS
 - 3- SEE SHEET 2 FOR RECOMMENDED HOLE PATTERN (COMPONENT SIDE).

DRAWN BY R.E.J. Hickey	DATE 05/02/2016	VICOR SWD	
UNLESS OTHERWISE SPECIFIED DIMENSIONS ARE: INCH / [MM]		PROD OUTL, VIA, PCB MNT, W/COMM.	
TOLERANCES ARE: DECIMALS ANGLES X.XX (X.XX) = ±0.01 (0.25) °11' X.XXX (X.XXX) = ±0.005 (0.127)		SIZE D	CAGE CODE 67131
THIRD ANGLE PROJECTION DO NOT SCALE DRAWING		DWG NO 44139	REV 5
SCALE 2:1		SHEET 1 OF 2	

REVISIONS			
REV	DESCRIPTION	DATE	APPROVED
	SEE SHEET 1		



DRAWN BY R.E.J. Hickey	DATE 05/02/2016	VICOR <small>SWD</small>	
UNLESS OTHERWISE SPECIFIED DIMENSIONS ARE : INCH / [MM]		PROD OUTL, VIA, PCB MNT, W/COMM.	
TOLERANCES ARE: DECIMALS ANGLES X.XX (X.XX) = +0.01 (0.25) °11" X.XXX (X.XXX) = ±0.005 (0.127)		SIZE D	CAGE CODE 67131
THIRD ANGLE PROJECTION 		DWG NO 44139	REV 5
DO NOT SCALE DRAWING		SCALE 4:1	SHEET 2 OF 2