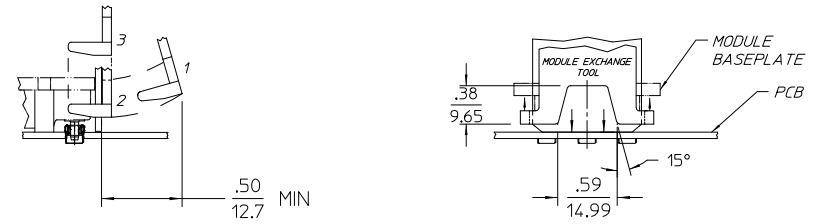
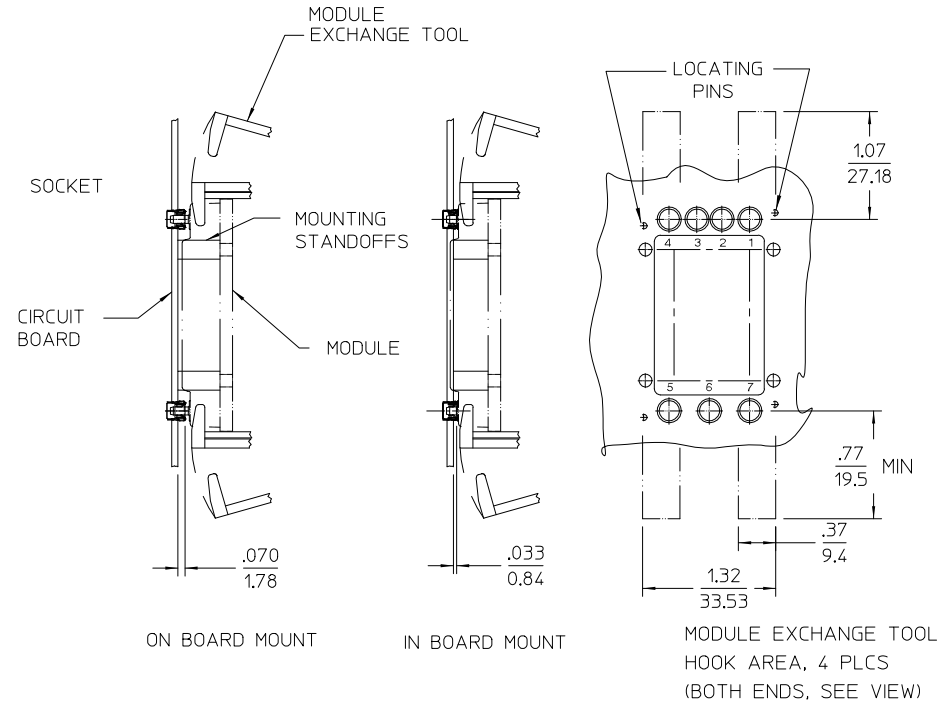
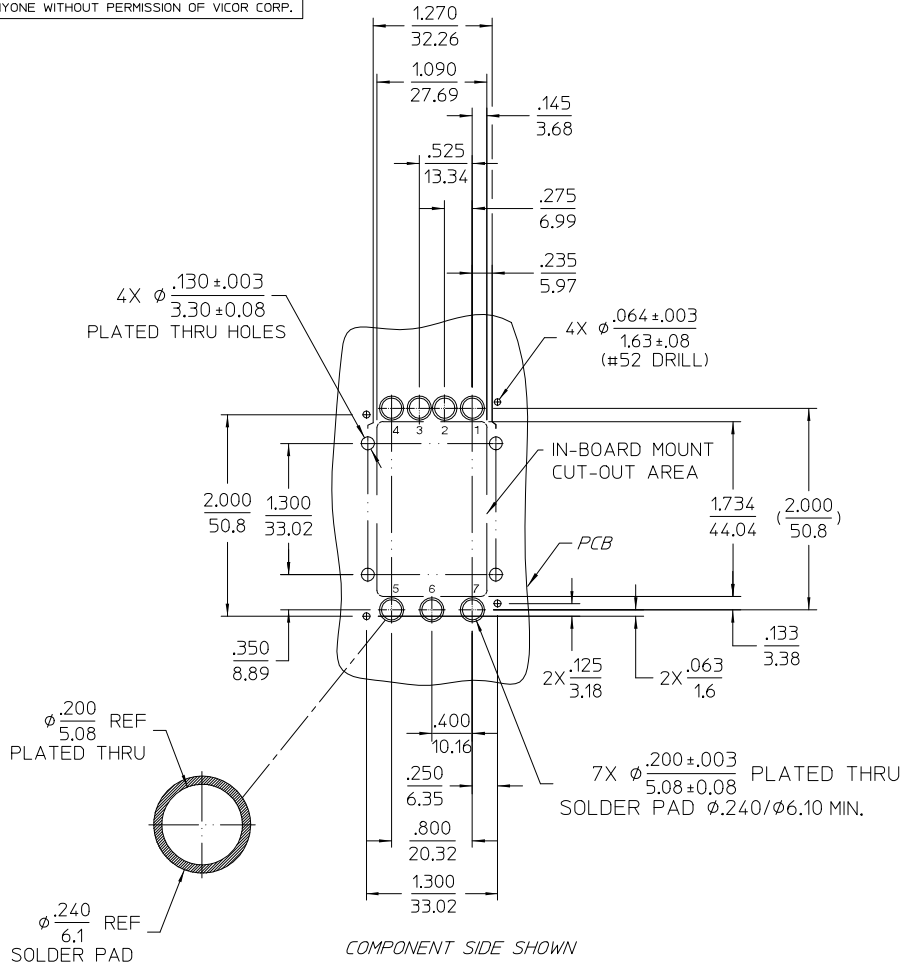


THIS DOCUMENT AND THE DATA DISCLOSED HEREIN OR HEREWITH IS NOT TO BE REPRODUCED, USED, OR DISCLOSED IN WHOLE OR IN PART TO ANYONE WITHOUT PERMISSION OF VICOR CORP.

REV.	DESCRIPTION	DATE	APPROVED
1	RELEASED PER E0230307	7/11/02	JMR
2	REVISED PER E0230494	10/8/02	JMR
3	REVISED PER E063759	04/03/06	DPK
4	REVISED PER E100087	01/21/10	REJH



PC BOARD LAYOUT

PIN NO.	MODULE INFORMATION		
	SYMBOL	FUNCTION	PIN DIA
1	+	+ I N	.080 / 2.03
2	PC	PRIM CONTROL	.080 / 2.03
3	PR	PARALLEL	.080 / 2.03
4	-	- I N	.080 / 2.03
5	-	- OUT	.080 / 2.03
6	SC	SEC CONTROL	.080 / 2.03
7	-	+ OUT	.080 / 2.03

- NOTES:
- ALL DIMENSIONS ARE INCH OR INCH/METRIC.
 - ANSI / IPD-D-300 SPECIFICATIONS APPLY FOR CLASS "B" BOARDS.
 - APPLICATION:
 - A) INSERT INMATE HEADER FROM PCB COMPONENT SIDE.
 - B) WAVE SOLDER SOCKETS.
 - C) PULL TO REMOVE PLASTIC HEADER.
 - DIMENSIONS APPLY AFTER PLATING.

DRAWN BY D.P. KELLY	DATE 2/98			
<small>UNLESS OTHERWISE SPECIFIED DIMENSIONS ARE IN INCHES - TOLERANCES ARE:</small> FRACTIONS DECIMALS ANGLES +1/64 .XX+ .01 +1° .XXX- .005				
THIRD ANGLE PROJECTION 	SIZE C	FSCM NO. 67131	DWG NO. 18398	REV 4
DO NOT SCALE DRAWING	SCALE	SHEET 1 OF 1		