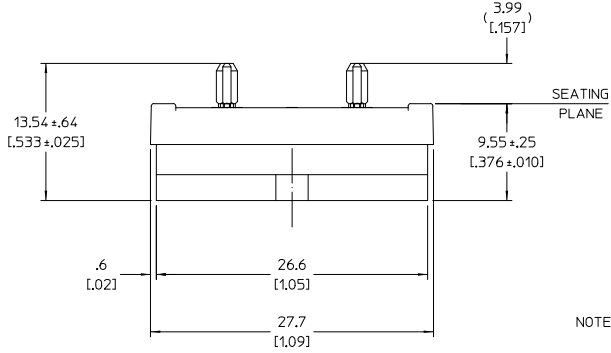
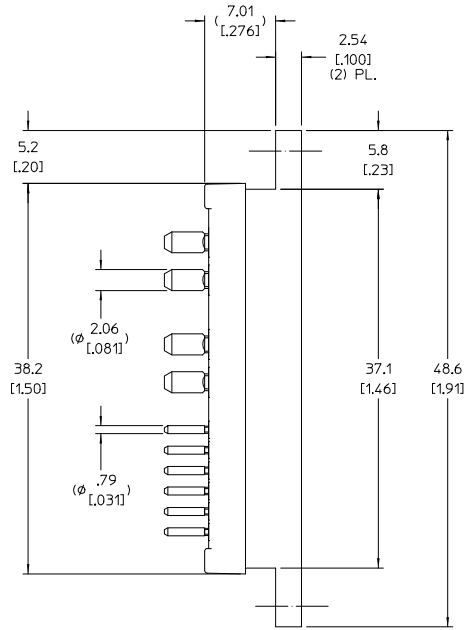
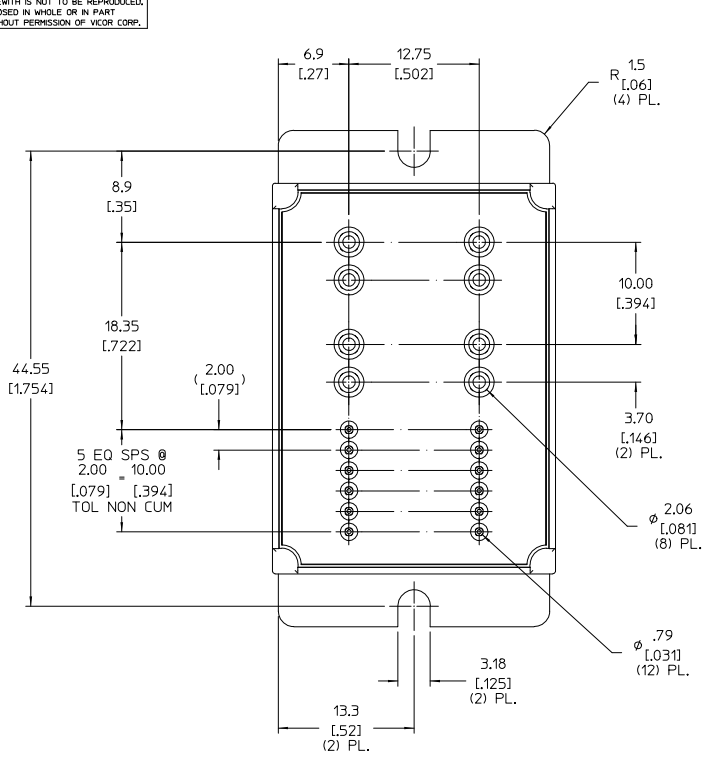


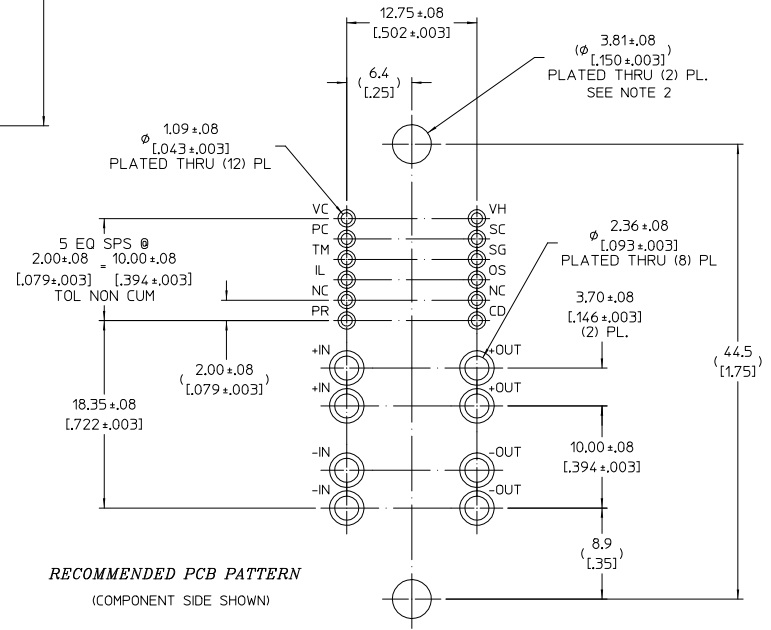
VICOR CONFIDENTIAL

THIS DOCUMENT AND THE DATA DISCLOSED HEREIN OR HEREWITH IS NOT TO BE REPRODUCED, USED, OR DISCLOSED IN WHOLE OR IN PART TO ANYONE WITHOUT PERMISSION OF VICOR CORP.

REV.	DESCRIPTION	DATE	APVD
1	RELEASED PER E080748	SA 4/16/08	RE.H
2	REVISED PER E090348	AR 02/11/09	RE.H
3	REVISED PER E091139a	JS 07/14/09	RE.H
4	REVISED PER E100964	DCS 7/30/10	RE.H



- NOTE:
1. RoHS COMPLIANT PER CST-0001 LATEST REVISION.
 2. PLATED THROUGH HOLES SHALL BE USED WITH VIBRICK STANDOFF KITS TO GROUND THE BASEPLATE TO THE CUSTOMERS PCB AND/OR COLD PLATE.



RECOMMENDED PCB PATTERN
(COMPONENT SIDE SHOWN)

DRAWN BY: D.E. JARVINEY	DATE: 07/23/07	VICOR	
UNLESS OTHERWISE SPECIFIED DIMENSIONS ARE IN INCH TOLERANCES ARE: FRACTIONS DECIMALS ANGLES XX.XXXX ±.XX 0.001 ±.001		PRODUCT OUTLINE DWG. VIBRICK PRM(AL), FULL, FLANGED	
THIRD ANGLE PROJECTION	SIZE: D	CAGE CODE: 67131	DWG NO: 33966
DO NOT SCALE DRAWING	SCALE: 4:1	SHEET: 1	REV: 4 OF 1