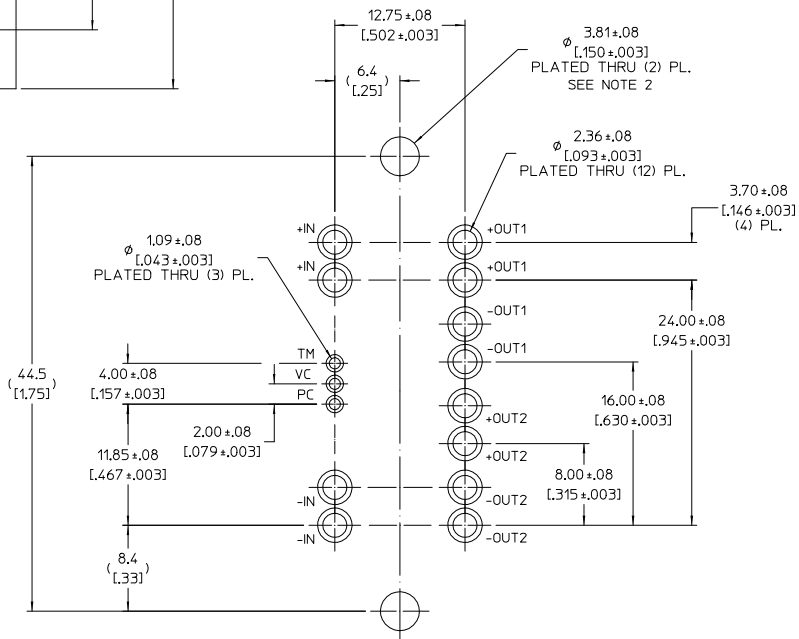
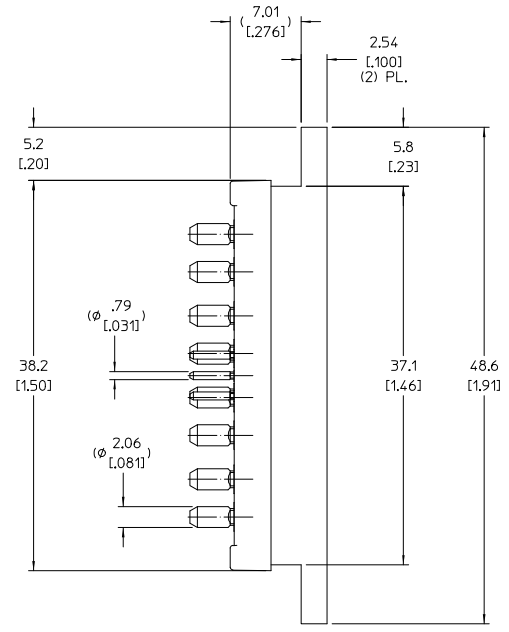
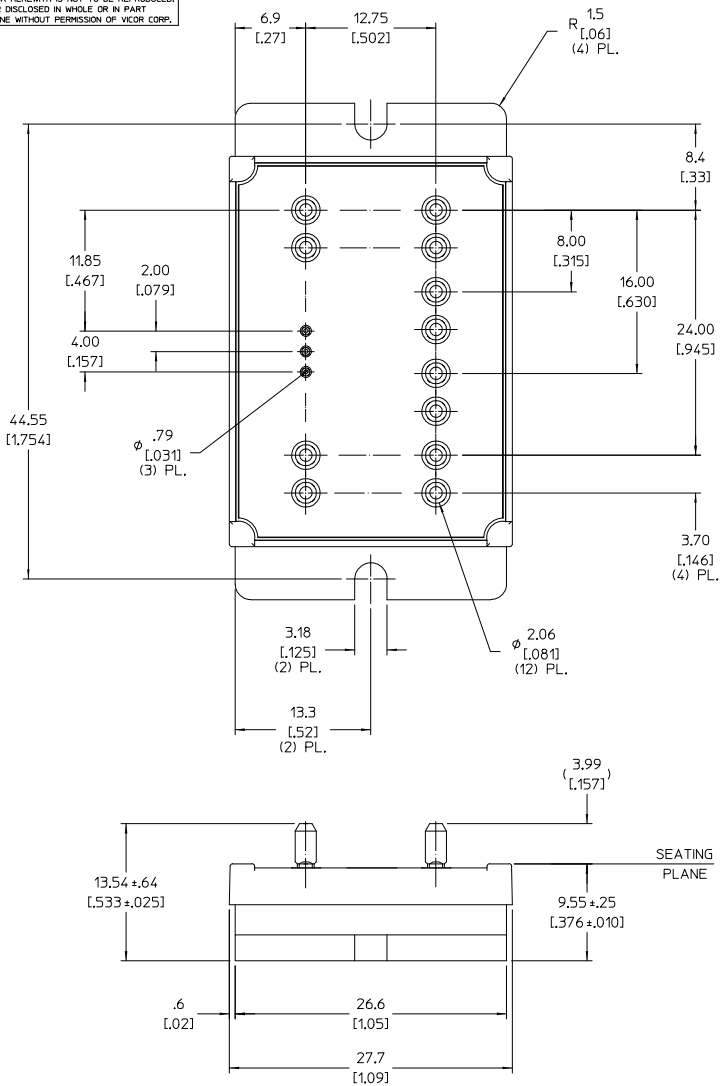


REV.	DESCRIPTION	DATE	APVD
1	RELEASED PER E080748	SA 4/16/08	RE.JH
2	REVISED PER E090348	AR 02/11/09	RE.JH
3	REVISED PER E091199g	JS 07/14/09	RE.JH



- NOTE:
1. RoHS COMPLIANT PER CST-0001 LATEST REVISION.
 2. PLATED THROUGH HOLES SHALL BE USED WITH VIBRICK STANDOFF KITS TO GROUND THE BASEPLATE TO THE CUSTOMERS PCB AND/OR COLD PLATE.

RECOMMENDED PCB PATTERN
(COMPONENT SIDE SHOWN)

<p>DRWING BY: [Signature]</p> <p>DATE: 07/23/07</p> <p>UNLESS OTHERWISE SPECIFIED DIMENSIONS ARE IN INCH DECIMALS AND ANGLES IN DEGREES UNLESS OTHERWISE SPECIFIED</p> <p>THIRD ANGLE PROJECTION</p> <p>DO NOT SCALE DRAWING</p>	<p>VICOR</p> <p>PRODUCT OUTLINE DWG.</p> <p>VIBrick, VTM, FULL FLANGED</p> <p>SIZE: D CAGE CODE: 67131 SCALE: 4:1</p> <p>DWG NO: 33964 REV: 3 SHEET 1 OF 1</p>
--	---