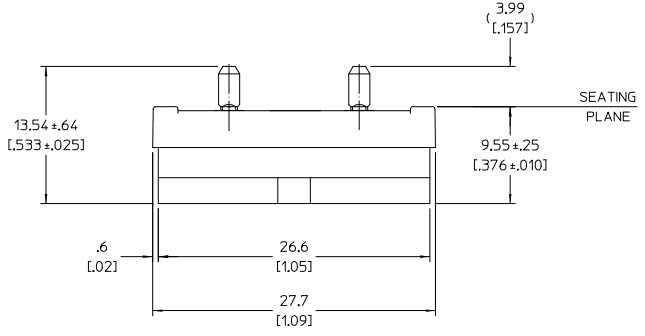
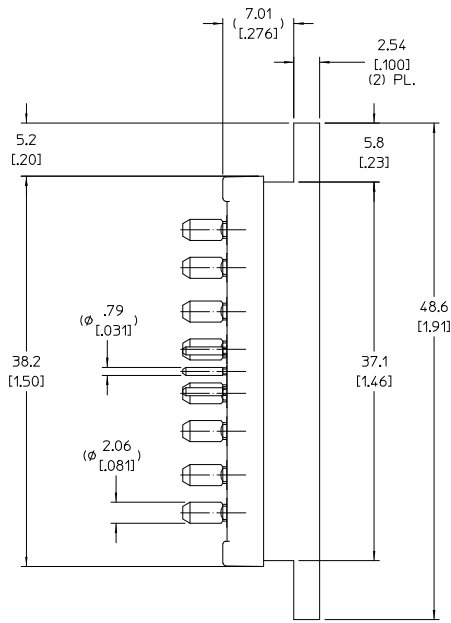
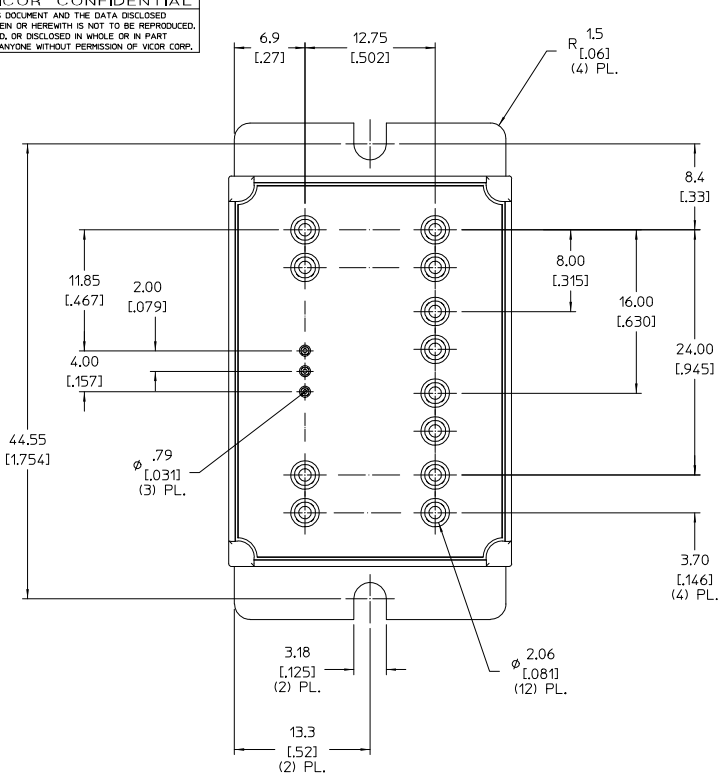
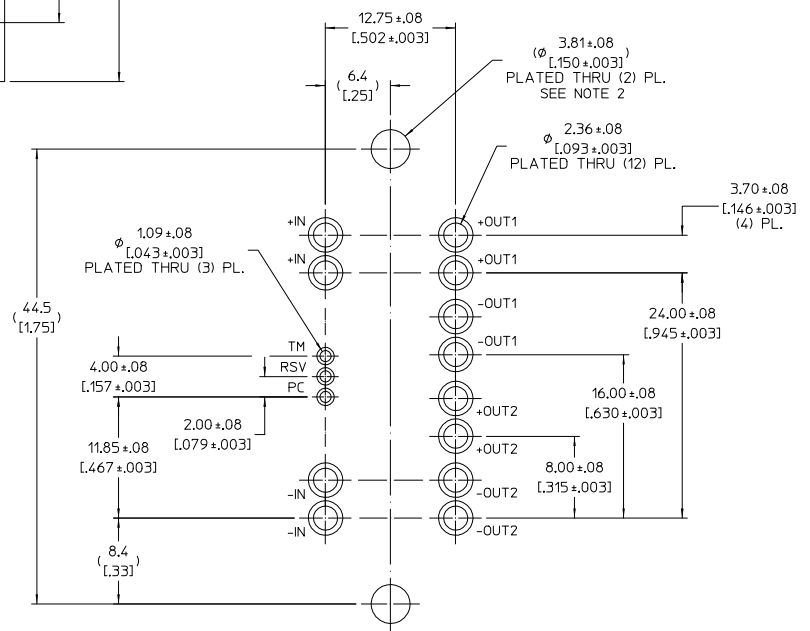


**VICOR CONFIDENTIAL**  
 THIS DOCUMENT AND THE DATA DISCLOSED  
 HEREIN OR HEREWITH IS NOT TO BE REPRODUCED,  
 USED, OR DISCLOSED IN WHOLE OR IN PART  
 TO ANYONE WITHOUT PERMISSION OF VICOR CORP.

REV.	DESCRIPTION	DATE	APVD
1	RELEASED PER E080748	SA 4/16/08	RE.H
2	REVISED PER E090348	AR 02/11/09	RE.H
3	REVISED PER E091139a	JS 07/14/09	RE.H



- NOTE:
- RoHS COMPLIANT PER CST-0001 LATEST REVISION.
  - PLATED THROUGH HOLES SHALL BE USED WITH VIBRICK STANDOFF KITS TO GROUND THE BASEPLATE TO THE CUSTOMERS PCB AND/OR COLD PLATE.



**RECOMMENDED PCB PATTERN**  
 ( COMPONENT SIDE SHOWN )

DRAWN BY: J.E. JARVINE DATE: 07/02/07 UNLESS OTHERWISE SPECIFIED DIMENSIONS ARE IN INCH TOLERANCES ARE: FRACTIONS - AS SHOWN DECIMALS - .001 (3 SIG) ANGLES - °	
THIRD ANGLE PROJECTION 	<b>PRODUCT OUTLINE DWG.</b> <b>VIBrick, BCM, FULL, FLANGED</b>
SIZE: D SCALE: 4:1	CAGE CODE: 67131 DWG NO: 33958 REV: 3 SHEET 1 OF 1