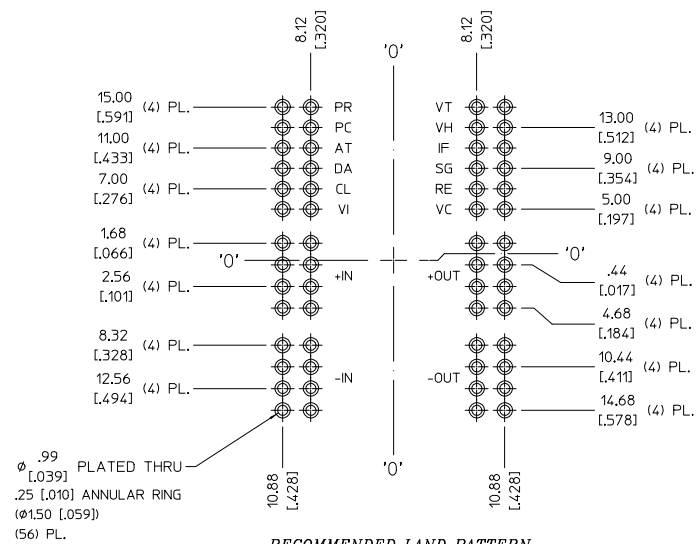
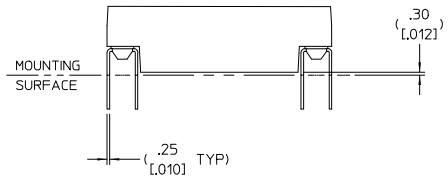
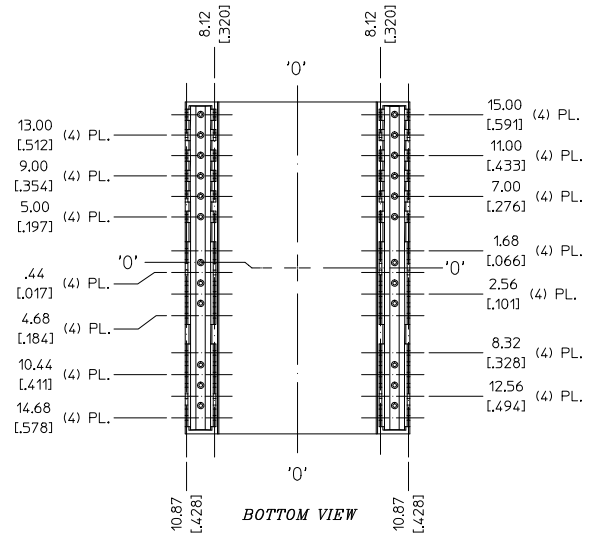
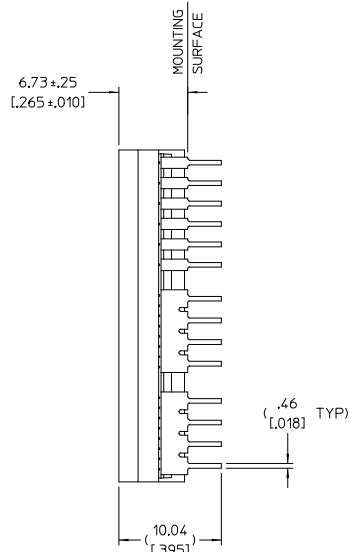
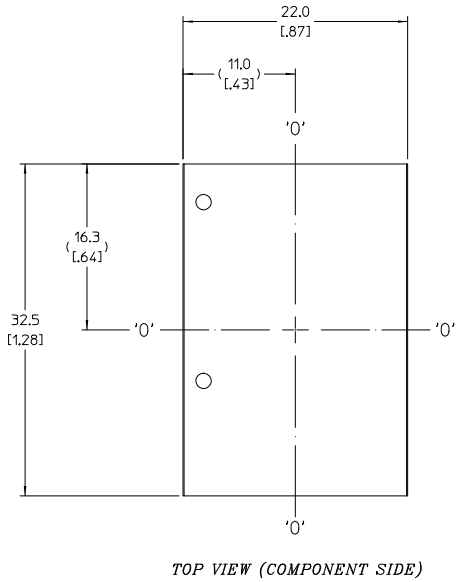


VICOR CONFIDENTIAL

THIS DOCUMENT AND THE DATA DISCLOSED HEREIN OR HEREWITH IS NOT TO BE REPRODUCED, USED, OR DISCLOSED IN WHOLE OR IN PART TO ANYONE WITHOUT PERMISSION OF VICOR CORP.

REV.	DESCRIPTION	DATE	APVD
#1	DRAWN FOR DEVELOPMENT REVISED FROM 36132 REV 1	RE:JH 03/28/11	DF



NOTE:  
1. RoHS COMPLIANT PER CST-0001 LATEST REVISION.

DRAWN BY: J.E. JARVINE	DATE: 03/28/11		
UNLESS OTHERWISE SPECIFIED DIMENSIONS ARE IN INCH TOLERANCES ARE: DECIMAL FRACTIONS ±.0050 (Ø.001) ±.0025 (Ø.001)	ANGLE: 0°		
THIRD ANGLE PROJECTION	SIZE: D	CAGE CODE: 67131	DWG NO: 37459
DO NOT SCALE DRAWING	SCALE: 4:1	SHEET: 1	REV: #1 OF 1