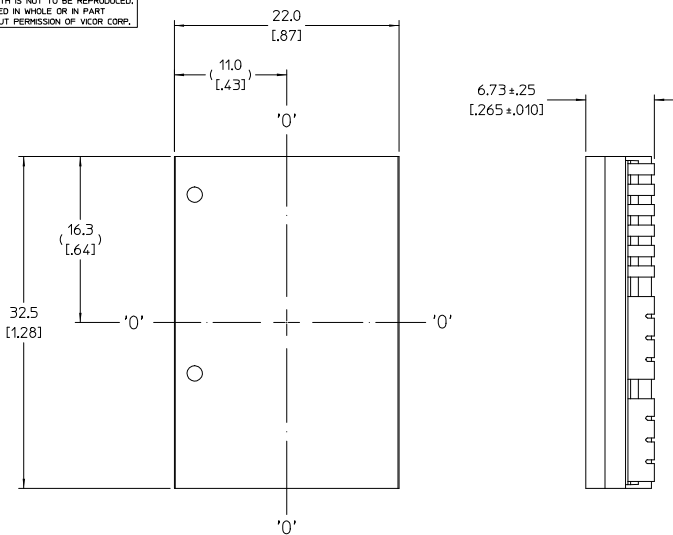
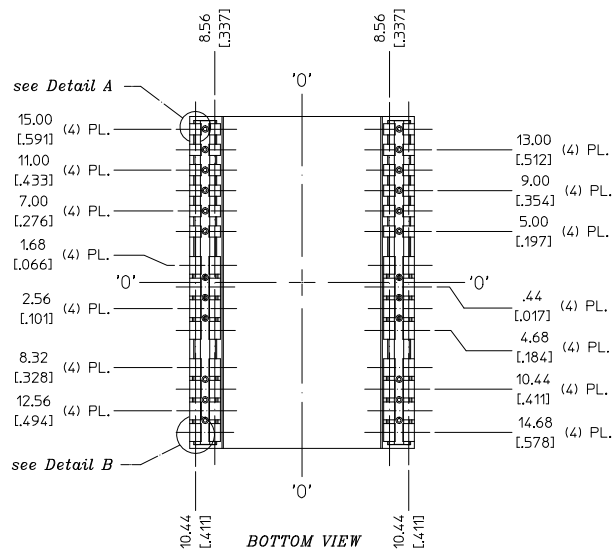


**VICOR CONFIDENTIAL**  
 THIS DOCUMENT AND THE DATA DISCLOSED  
 HEREIN OR HEREWITH IS NOT TO BE REPRODUCED,  
 USED, OR DISCLOSED IN WHOLE OR IN PART  
 TO ANYONE WITHOUT PERMISSION OF VICOR CORP.

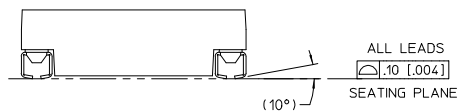
REV.	DESCRIPTION	DATE	APVD
#1	DRAWN FOR DEVELOPMENT REVISED FROM 36053 REV 1	RE:JH 03/29/11	DF



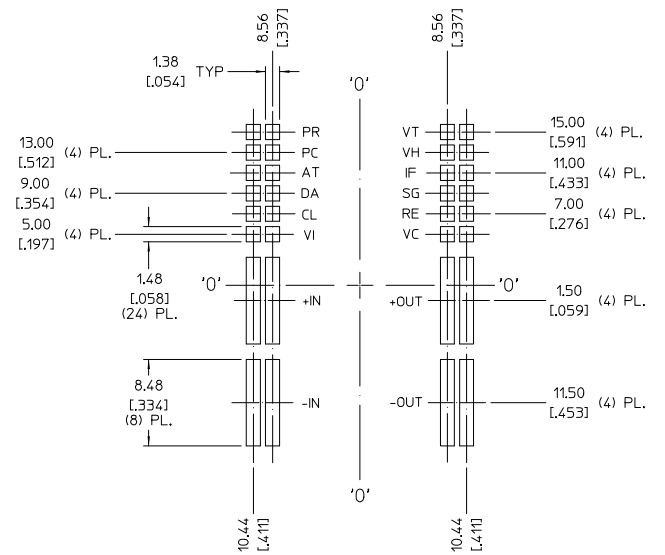
TOP VIEW (COMPONENT SIDE)



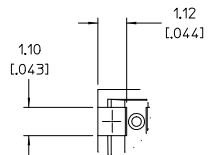
BOTTOM VIEW



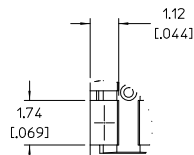
ALL LEADS  
 .10 [0.004]  
 SEATING PLANE  
 (10°)



RECOMMENDED LAND PATTERN  
 (COMPONENT SIDE SHOWN)



Detail A  
 Scale 10:1  
 (24) PL.



Detail B  
 Scale 10:1  
 (32) PL.

NOTE:

1. RoHS COMPLIANT PER CST-0001 LATEST REVISION.

DRAWN BY: J.E.J. BERRY DATE: 03/29/11 UNLESS OTHERWISE SPECIFIED DIMENSIONS ARE IN INCH TOLERANCES ARE: DECIMALS - .005 FRACTIONS - AS SHOWN ANGLES - AS SHOWN THIRD ANGLE PROJECTION DO NOT SCALE DRAWING	
PRODUCT OUTLINE DWG. PRM CONF W/J-LEADS PKG3	SIZE: D CAGE CODE: 67131 DWG NO: 37458 REV: #1 SCALE: 4:1 SHEET 1 OF 1