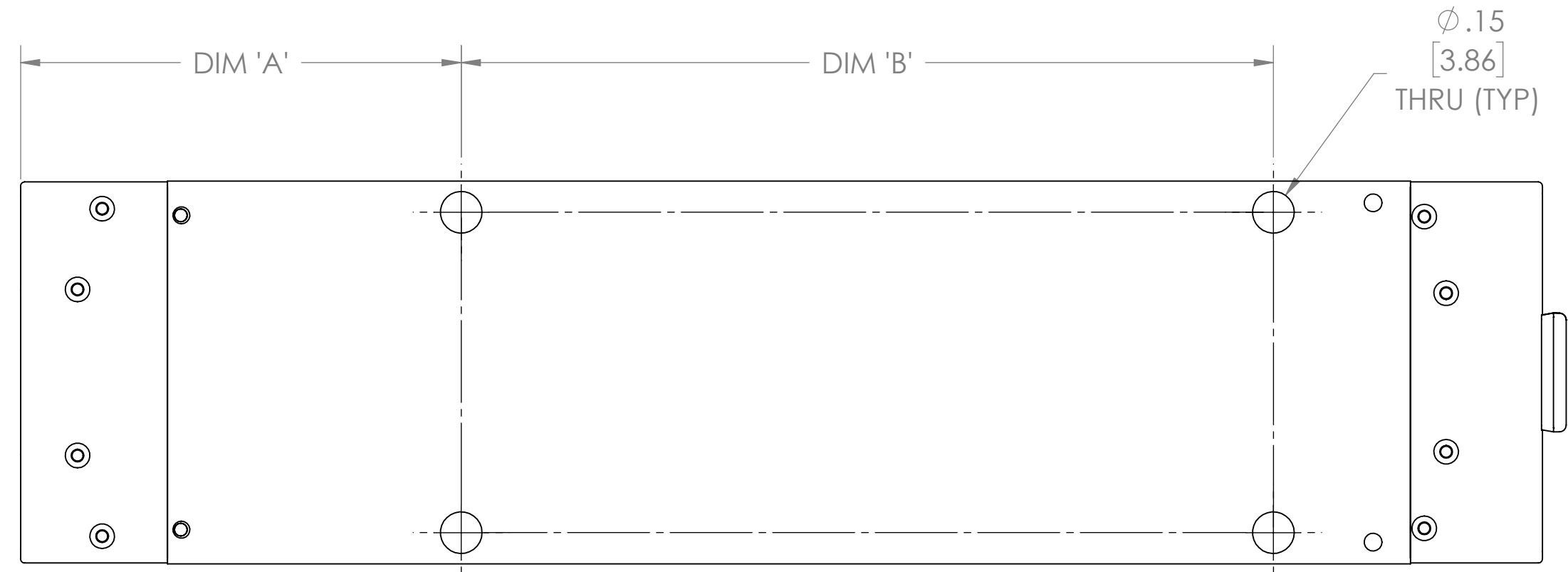
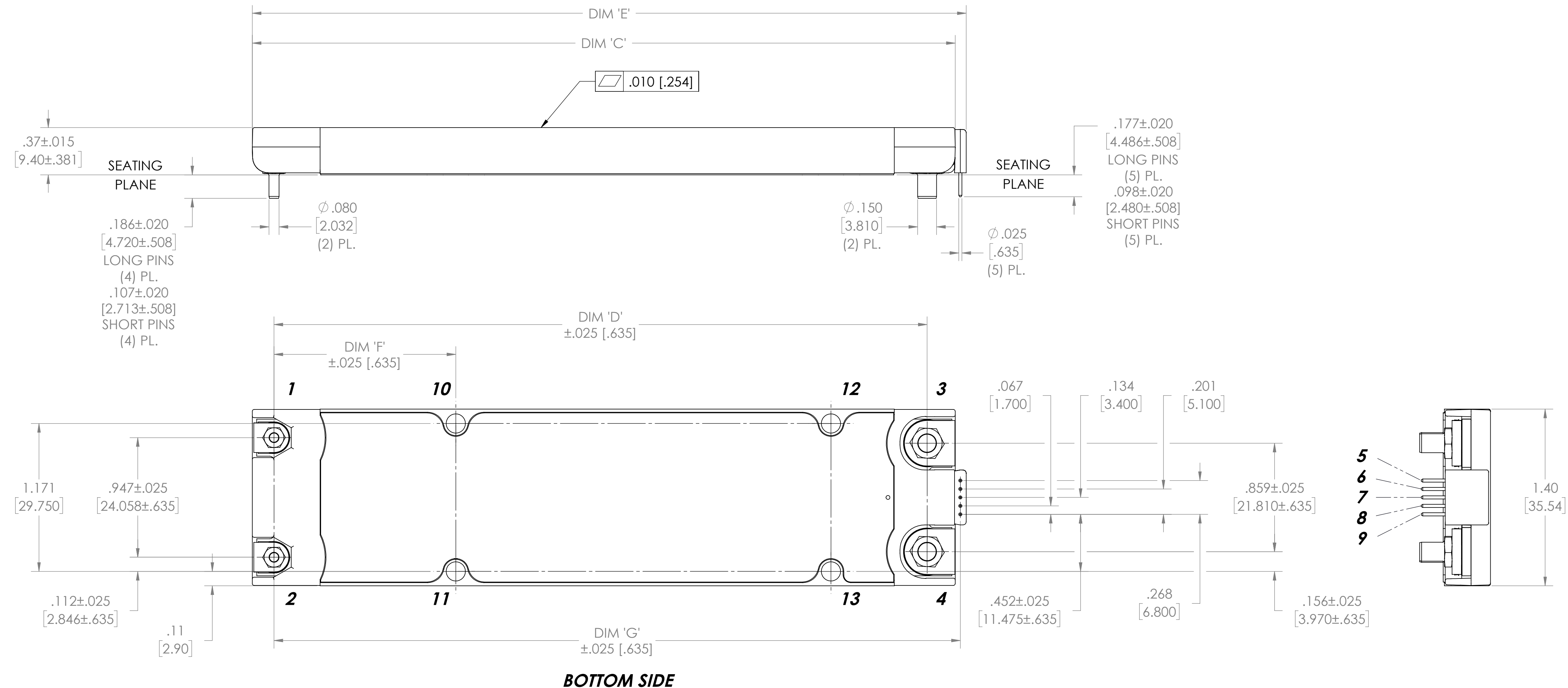


VICOR CONFIDENTIAL
THIS DOCUMENT AND THE DATA DISCLOSED HEREIN OR HEREWITH IS NOT TO BE REPRODUCED, COPIED, OR DISCLOSED IN WHOLE OR IN PART TO ANYONE WITHOUT THE PERMISSION OF VICOR CORP.

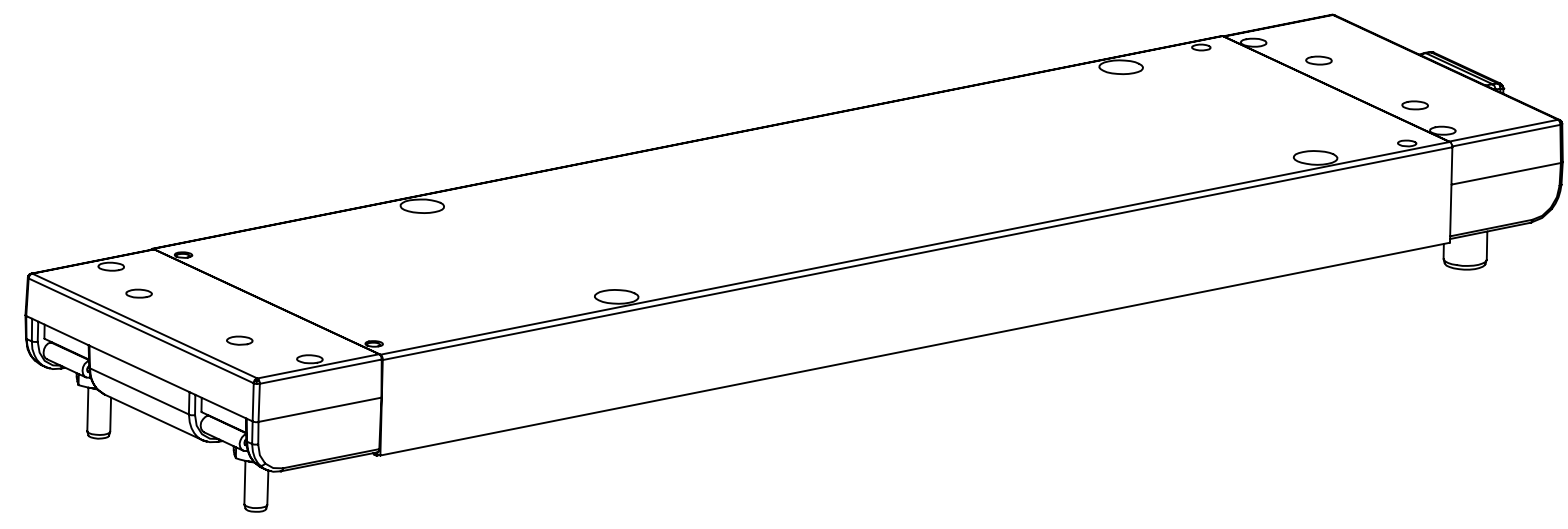
REV.	DESCRIPTION	INTL	DATE	APVD
1	RELEASE PER E180430a	REJH	06/11/18	EB
2	REVISED PER E190076	AY	02/11/19	RLT



PRODUCT	DIM 'A'	DIM 'B'	DIM 'C'	DIM 'D'	DIM 'E'	DIM 'F'	DIM 'G'
5614 DCM	1.61 [40.93]	2.970 [75.445]	5.57 [141.437]	5.171 [131.337]	5.65 [143.58]	1.439 [36.554]	5.434 [138.017]



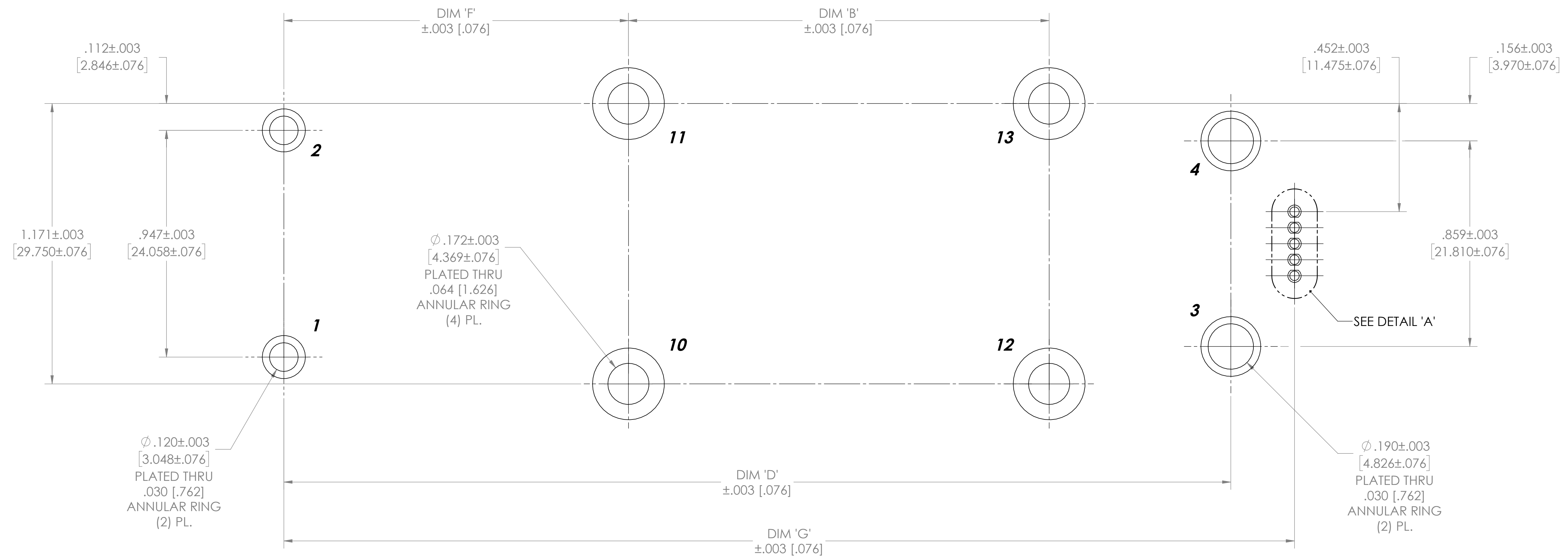
- NOTES:
- 1- RoHS COMPLIANT PER CST-0001 LATEST REVISION.
 - 2- SEE PRODUCT DATA SHEET FOR PIN DESIGNATIONS
 - 3- SEE SHEET 2 FOR RECOMMENDED HOLE PATTERN (COMPONENT SIDE).



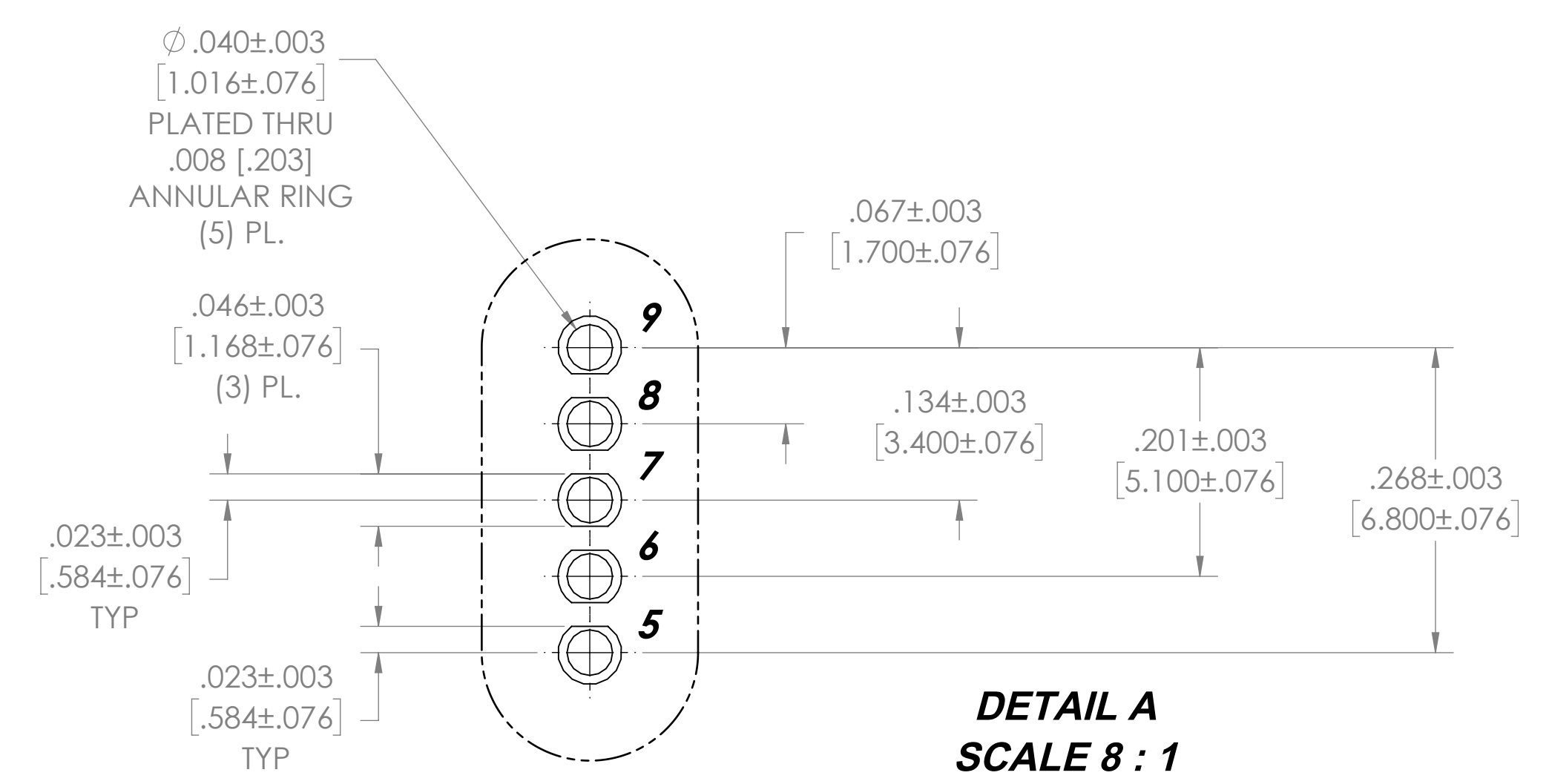
DRAWN BY R.E.J. Hickey	DATE 5/15/2018	VICOR swd		
UNLESS OTHERWISE SPECIFIED DIMENSIONS ARE: INCH / (MM)		PRODUCT OUTLINE, PCB MOUNT, WITH COMM		
TOLERANCES ARE: DECIMALS ANGLES X.XX (X.XX) = +0.01 (0.25) °11" X.XXX (X.XXX) = ±0.005 (0.127)		SIZE D	CAGE CODE 67131	DWG NO 47547
THIRD ANGLE PROJECTION 		SCALE 2:1	REV 2	SHEET 1 OF 2

VICOR CONFIDENTIAL
 THIS DOCUMENT AND THE DATA DISCLOSED HEREIN OR
 HEREIN IS NOT TO BE REPRODUCED, USED OR
 DISCLOSED IN ANY MANNER OR IN PART TO ANYONE WITHOUT
 THE PERMISSION OF VICOR CORP.

REVISIONS			
REV	DESCRIPTION	DATE	APPROVED
	SEE SHEET 1		



**RECOMMENDED HOLE PATTERN
 (COMPONENT SIDE)**



**DETAIL A
 SCALE 8 : 1**

DRAWN BY R.E.J. Hickey	DATE 5/15/2018	VICOR <small>swd</small>	
UNLESS OTHERWISE SPECIFIED DIMENSIONS ARE : INCH / [MM]		PRODUCT OUTLINE, PCB MOUNT, WITH COMM	
TOLERANCES ARE: DECIMALS .005 XXX (X.XX) ± .01 (0.25) XXXX (X.XXX) ± .005 (0.127)		ANGLES ° 11'	
THIRD ANGLE PROJECTION 	SCALE 4:1	SIZE D	CAGE CODE 67131
		DWG NO 47547	REV 2
		SHEET 2 OF 2	