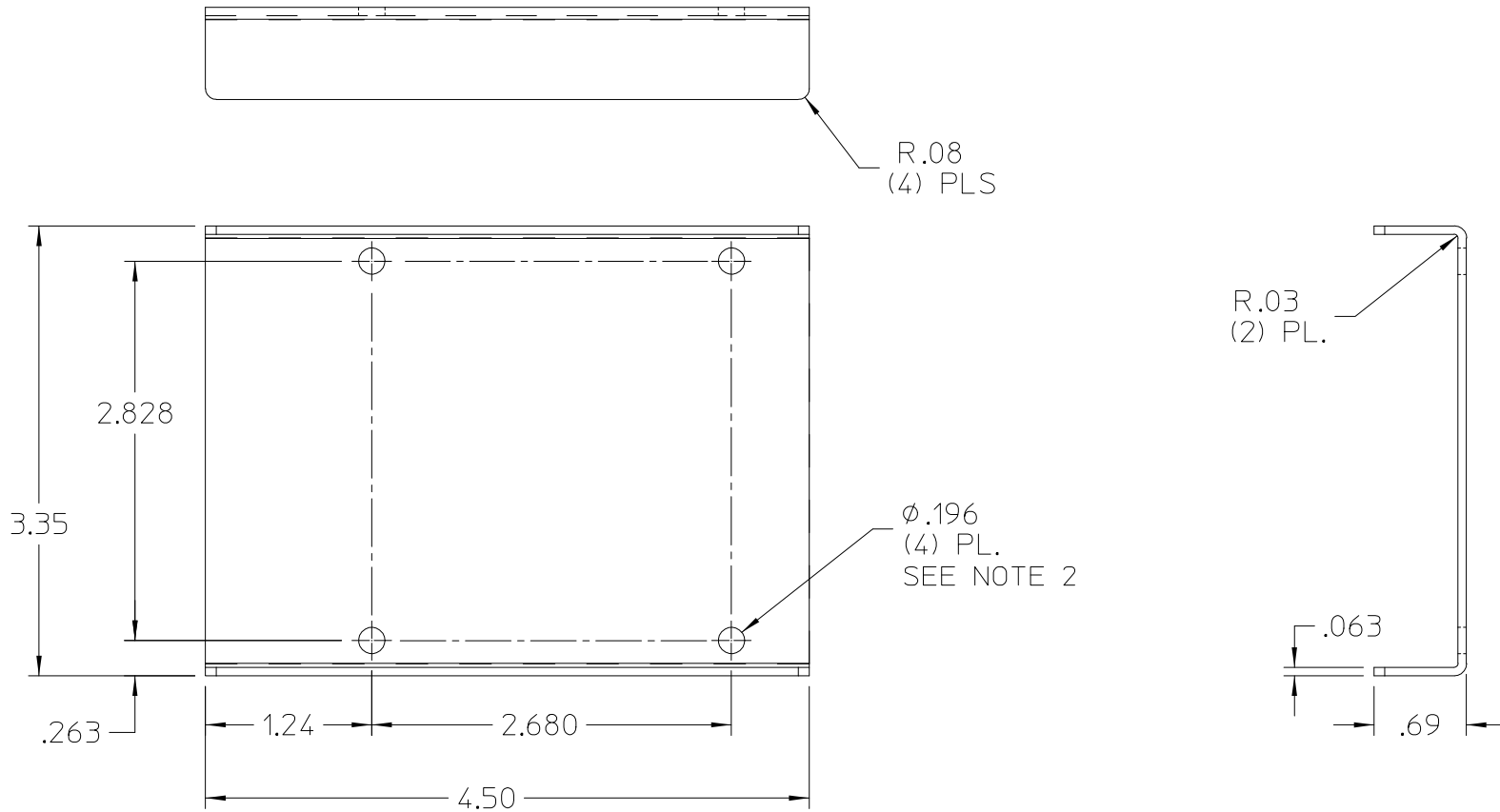


**VICOR CONFIDENTIAL**


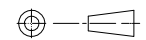
THIS DOCUMENT AND THE DATA DISCLOSED  
HEREIN OR HERewith IS NOT TO BE REPRODUCED,  
USED, OR DISCLOSED IN WHOLE OR IN PART  
TO ANYONE WITHOUT PERMISSION OF VICOR CORP.

REV.	DESCRIPTION	DATE	APPROVED
1	RELEASE PER E130366b	03/07/13	REJH MH



**NOTES**

1. MAT'L: SMOKED LEXAN
2. HOLES MAY BE MADE PRIOR TO FORMING.  
ELONGATION OF HOLE PERMISSIBLE.
3. REMOVE ALL BURRS AND SHARP EDGES.
4. FINISH: NONE
5. RoHS COMPLIANT PER CST-0001 LATEST REVISION.

DRAWN BY <i>D.P. KELLY</i>		DATE <i>09/04</i>		 <b>CONFIG COVER NARROW</b>	
<small>UNLESS OTHERWISE SPECIFIED DIMENSIONS ARE IN INCHES - TOLERANCES ARE: FRACTIONS DECIMALS ANGLES ±1/64 .XX= ±.01 ±1° .XXX=±.005</small>					
THIRD ANGLE PROJECTION 		SIZE <b>B</b>	FSCM NO. <b>67131</b>	DWG NO <b>28871</b>	REV <b>1</b>
DO NOT SCALE DRAWING		SCALE 1:1	SHEET 1 OF 1		