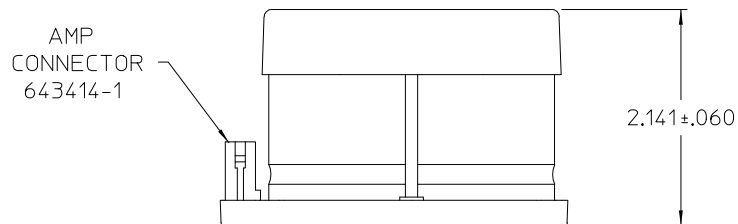
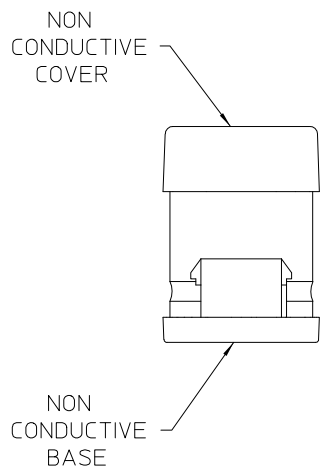
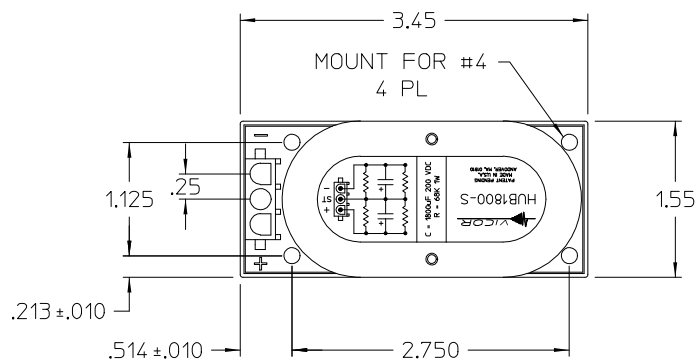


VICOR CONFIDENTIAL

THIS DOCUMENT AND THE DATA DISCLOSED HEREIN OR HEREWITH IS NOT TO BE REPRODUCED, USED, OR DISCLOSED IN WHOLE OR IN PART TO ANYONE WITHOUT PERMISSION OF VICOR CORP.

REV.	DESCRIPTION	DATE	APPROVED
01	RELEASED PER E980365	DPK	9/14/98
02	RELVSD- E980451	RCM	12/1/98
03	REVSD PER E990386	AK	9/14/99
04	REVSD PER E990450	RCM	3/6/00
5	REVISED PER E0430458	PEI	09/30/04
6	REVISED PER ECO Request E064403	REJH	08/04/06

VICOR HUB PART NO.	MATING CONNECTOR		
	ORDER FROM: AMP		ORDER FROM: VICOR
	HOUSING (QTY 1)	PINS (QTY 3)	HOUSING/PINS KIT (QTY 1)
HUB1800-S	770018-1	770248-1	21393



AT +105°C, 120HZ UNLESS OTHERWISE NOTED					
ITEM	CHARACTERISTICS				
OPERATING TEMPERATURE	-40 to +105°C				
CAPACITANCE TOLERANCE @+20°C	±20%				
RIPPLE CURRENT MULTIPLIER	AMBIENT TEMPERATURE (°C)				
	+45	+60	+70	+85	+105
DISSIPATION FACTOR @ +20°C	2.64	2.23	2.12	1.73	1.00
RATED VOLTAGE (WVDC)	200				
CAPACITANCE VALUE (C1, C2 EA. µF)	1800				
MAXIMUM ESR (OHMS) @ +20°C	0.087				
MAXIMUM RIPPLE CURRENT (A rms)	3.30				

Note: RoHS compliant, lead free per CST-0001 latest revision.

DRAWN BY C HUTCHINS	DATE 7/97			
<small>UNLESS OTHERWISE SPECIFIED DIMENSIONS ARE IN INCHES- TOLERANCES ARE: FRACTIONS DECIMALS ANGLES</small> <small>+1/64 .XX+ .01 .X°</small> <small>.XXX+.005 .X°</small>				
THIRD ANGLE PROJECTION 	SIZE C	FSCM NO. 67131	DWG NO. 16766	REV 6
DO NOT SCALE DRAWING	SCALE FULL	SHEET 1 OF 1		