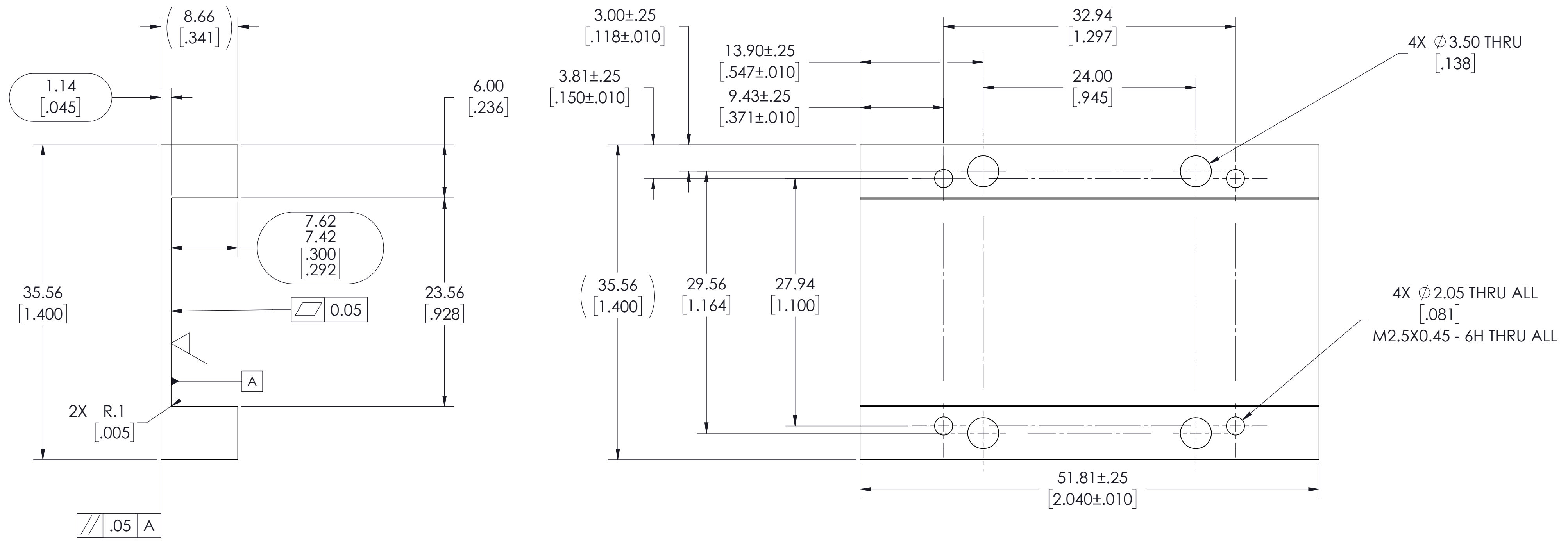


VICOR CONFIDENTIAL
 THIS DOCUMENT AND THE DATA DISCLOSED HEREIN OR
 HEREWITH IS NOT TO BE REPRODUCED, USED OR
 DISCLOSED IN WHOLE OR IN PART TO ANYONE WITHOUT
 THE PERMISSION OF VICOR CORP.

REV.	DESCRIPTION	INTL	DATE	APVD
1	RELEASE PER E180556	REJH	08/02/18	RLT
2	REVISED PER E190345	KS	06/26/19	RLT



NOTES:

1. MATERIAL: 6063 - T5 ALUMINUM
2. CLEAR FINISH, RoHS COMPLIANT PER CST-0001, LATEST REVISION PER A.) CHROMIUM FREE, OR B.) TRIVALENT CHROMIUM IN ACCORDANCE WITH MIL-DTL-5541, TYPE II, CLASS 1A OR 3. SEE CST-0003 FOR TYPES OF AVAILABLE FINISHES.

DRAWN BY	DATE	SWD	
Kali Simonds	6/26/2019	6123 HEAT SPREADER	
UNLESS OTHERWISE SPECIFIED DIMENSIONS ARE MM (INCH)		TOLERANCES ARE:	
DECIMALS		ANGLES	
X.XX [X.X] = ±0.25 [0.01] ±1°		X.XXX [X.XX] = ±0.127 [0.005]	
THIRD ANGLE PROJECTION	SIZE	CAGE CODE	DWG NO
	C	67131	47274
DO NOT SCALE DRAWING	SCALE 2:1		SHEET 1 OF 1
		REV	2