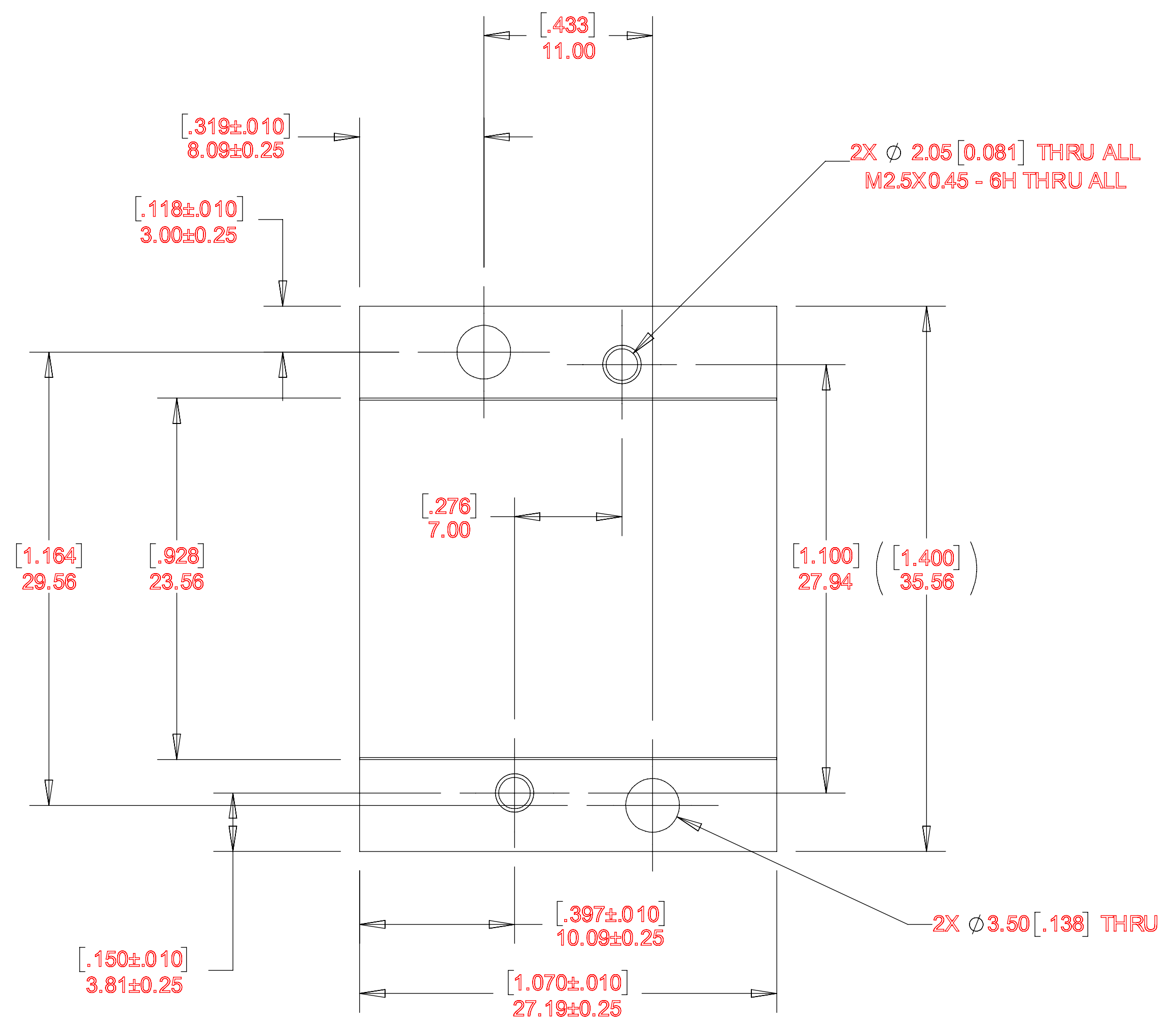
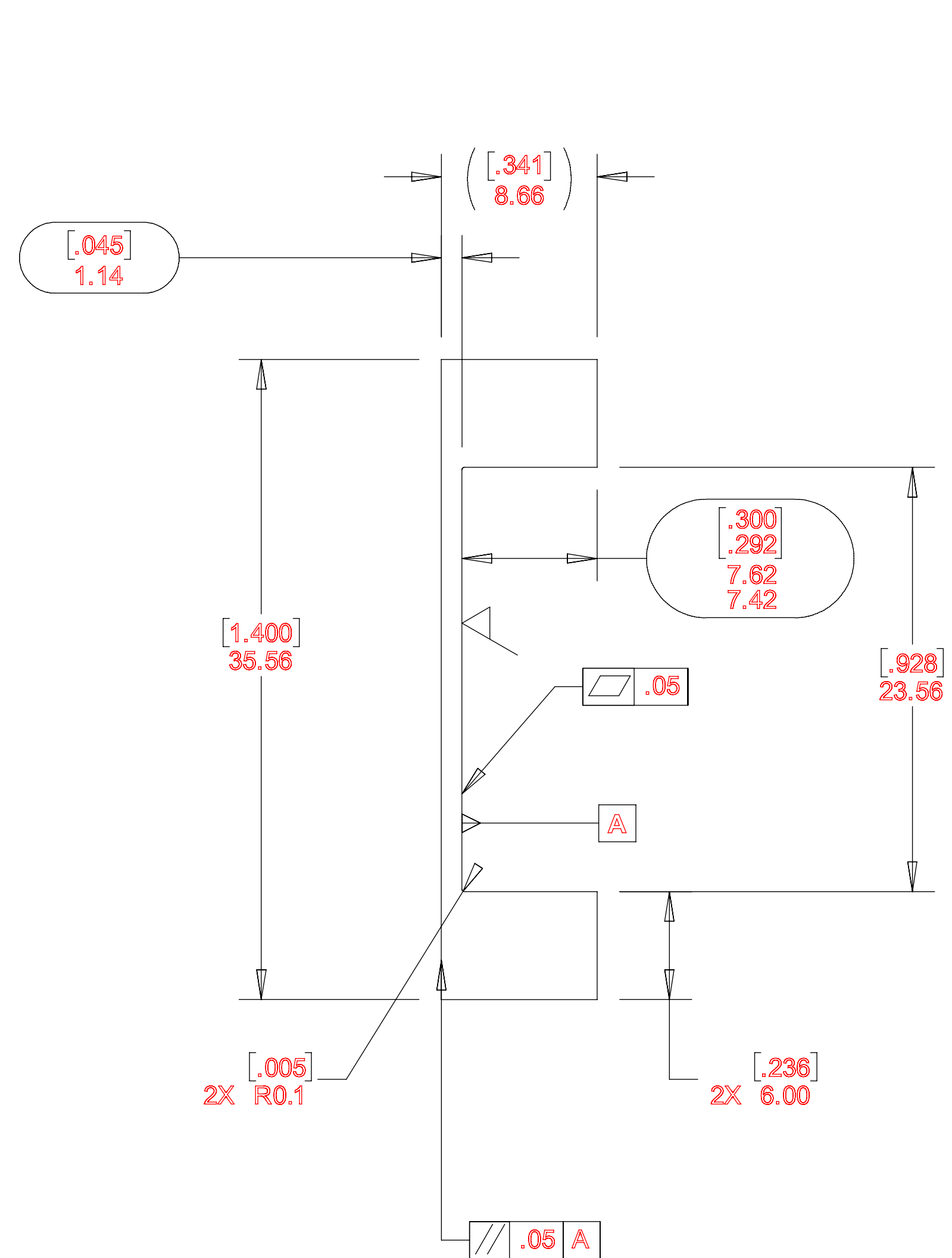


VICOR CONFIDENTIAL
 THIS DOCUMENT AND THE DATA DISCLOSED HEREIN OR
 HEREWITH IS NOT TO BE REPRODUCED, COPIED, OR
 DISCLOSED IN WHOLE OR IN PART TO ANYONE WITHOUT
 THE PERMISSION OF VICOR CORP.

REV.	DESCRIPTION	INTL	DATE	APVD
1	RELEASE PER E180556	REJH	08/02/18	RLT
2	REVISED PER E190345	KS	06/26/19	RLT



- NOTES:
1. MATERIAL: 6063 - T5 ALUMINUM
 2. CLEAR FINISH, RoHS COMPLIANT PER CST-0001, LATEST REVISION PER A.) CHROMIUM FREE, OR B.) TRIVALENT CHROMIUM IN ACCORDANCE WITH MIL-DTL-5541, TYPE II, CLASS 1A OR 3. SEE CST-0003 FOR TYPES OF AVAILABLE FINISHES.

DRAWN BY Umesh Sojitra	DATE 03/12/2018	VICOR swd	
UNLESS OTHERWISE SPECIFIED DIMENSIONS ARE: INCH / (MM) TOLERANCES ARE: DECIMALS ANGLES X: 0.391 X: 0.015 ±1° X: 0.250 XXX: 0.01 XXX: 0.152 XXX: 0.005		3623 HEAT SPREADER	
THIRD ANGLE PROJECTION 	SCALE 1:1	SIZE D	CAGE CODE 67131
DO NOT SCALE DRAWING		DWG NO 47272	REV 2
		SHEET 1 OF 1	