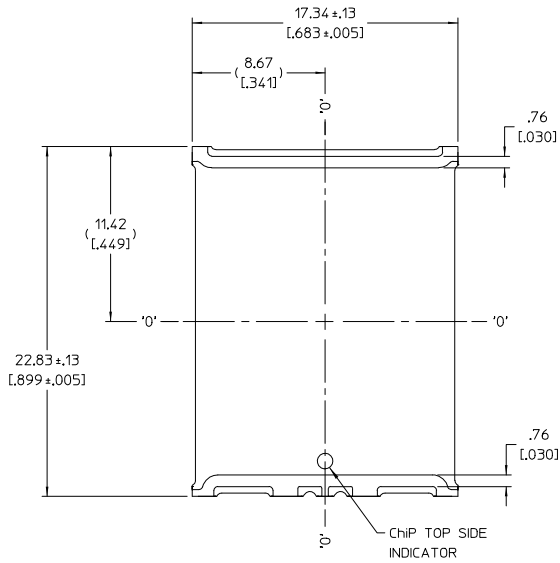
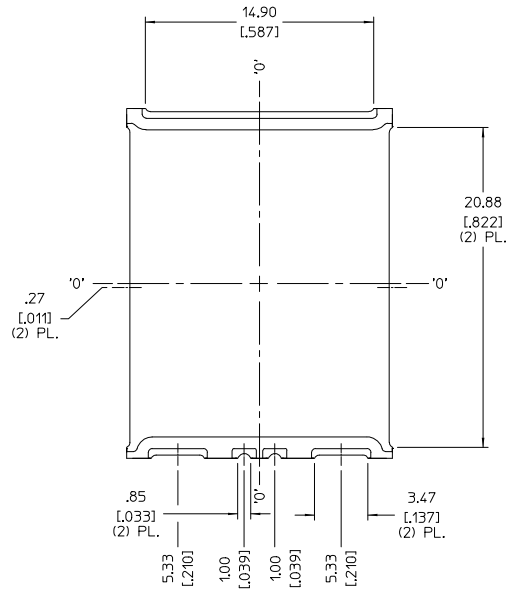


VICOR CONFIDENTIAL
 THIS DOCUMENT AND THE DATA DISCLOSED
 HEREIN OR HEREWITH IS NOT TO BE REPRODUCED,
 USED, OR DISCLOSED IN WHOLE OR IN PART
 TO ANYONE WITHOUT PERMISSION OF VICOR CORP.

REV.	DESCRIPTION	DATE	APVD
1	RELEASE PER E180464A	GCK 06/22/18	SC

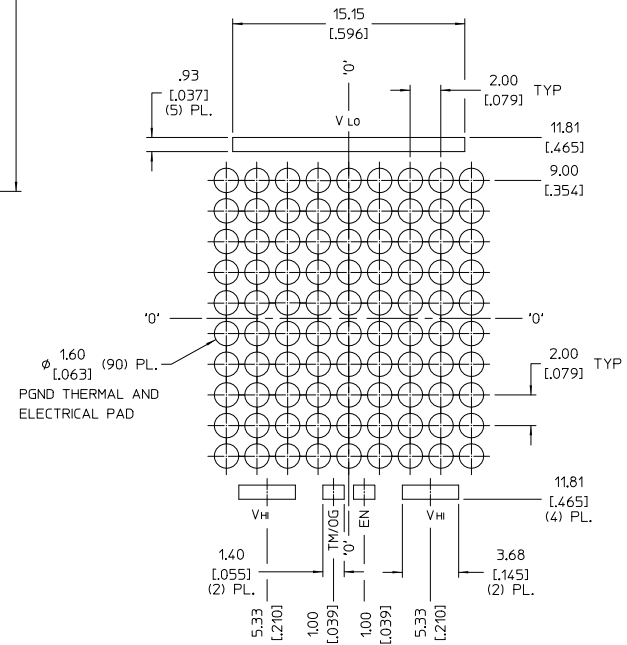
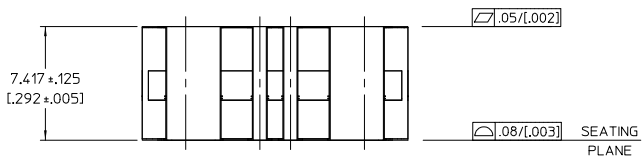


TOP VIEW (COMPONENT SIDE)



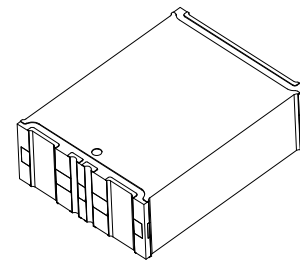
BOTTOM VIEW

2317 NBM



RECOMMENDED LAND
 PATTERN, 2317 NBM

NOTES:
 1- RoHS COMPLIANT, LEAD FREE PER CST-0001, LATEST REVISION.



DRWING BY	DATE	VICOR	
REV	4/25/17	PRODUCT OUTLINE, SMChIP, 2317 NBM TCS	
UNLESS OTHERWISE SPECIFIED DIMENSIONS ARE IN MILLIMETERS DIMENSIONS ARE IN INCHES XXX ±.025 (10) XXXX ±.0125 (1000)			
THIRD ANGLE PROJECTION	SIZE	CAGE CODE	DWG NO
DO NOT SCALE DRAWING	D	67131	45810
	SCALE	6:1	SHEET 1 OF 1