

8

7

6

5

4

3

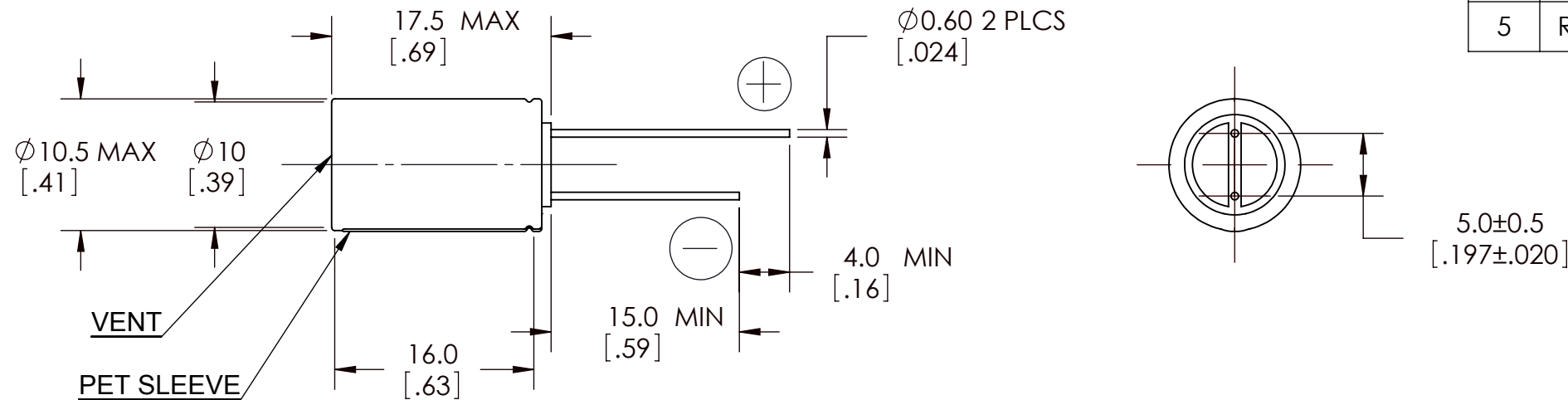
2

1

VICOR CONFIDENTIAL

THIS DOCUMENT AND THE DATA DISCLOSED HEREIN OR HEREWITH IS NOT TO BE REPRODUCED, USED OR DISCLOSED IN WHOLE OR IN PART TO ANYONE WITHOUT THE PERMISSION OF VICOR CORP.

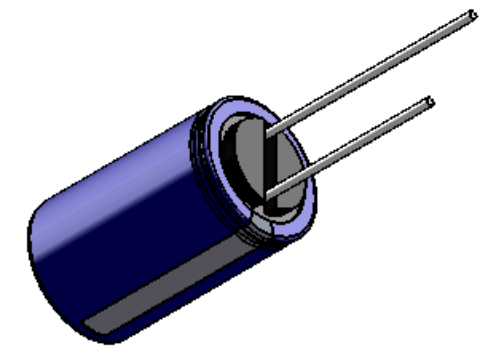
REV.	DESCRIPTION	INTL	DATE	APVD
1	RELEASED PER E060016	REJH	10/26/06	MH
2	REVISED PER E090291	AR	02/02/09	MH
3	REVISED PER E100698a	KUK	05/19/10	JG
4	COTS VENDOR DATA SHEET			
5	REVISED PER E131676b	REJH	12/06/13	PH



## ELECTRICAL CHARACTERISTICS @ Ta= 20°C, 120Hz (UNLESS OTHERWISE SPECIFIED)

PARAMETER	SYMBOL	MIN	MAX	UNITS	TEST CONDITIONS
CAPACITANCE	C	216	324	uF	0.5Vrms
WORKING VOLTAGE	V <sub>DCW</sub>	25		V	
SURGE VOLTAGE	V <sub>SURGE</sub>		32	V	
LEAKAGE CURRENT	I <sub>DCL</sub>		67.5	uA	2 MINUTES
DISSIPATION FACTOR	tan δ		0.11		
IMPEDANCE	Z		0.084 TBD	Ω	100KHZ, +20 °C 100KHZ, -10 °C
RIPPLE CURRENT	I <sub>RIPPLE</sub>		825	mA	Ta= 105°C, 100KHZ
OPERATING TEMPERATURE RANGE	T <sub>OP</sub>	-55	+105	°C	

NOTES:  
1. RoHS COMPLIANT, LEAD FREE PER CST-0001 LATEST REVISION.  
2. SOLVENT PROOF END SEAL.




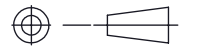
## MAXIMUM PERMISSIBLE RIPPLE CURRENT

## FREQUENCY MULTIPLIER

FREQUENCY IN Hz					
50	120	300	1K	10K	100K
0.60	0.70	0.80	0.90	0.95	1.00

## TEMPERATURE MULTIPLIER

TEMPERATURE	85°C	105°C
MULTIPLIER	1.75	1

DRAWN BY	DATE			SWD	
P.E.IENI	9/23/2005				
UNLESS OTHERWISE SPECIFIED DIMENSIONS ARE : INCH / [MM]		<b>CAP ALEL 270uf 20% 25V RADIAL</b>			
TOLERANCES ARE: DECIMALS                      ANGLES X.XX [X.X] = ±0.01 [0.25]    ±1° X.XXX [X.XX] = ±0.005 [0.127]					
THIRD ANGLE PROJECTION		SIZE	CAGE CODE	DWG NO	REV
		<b>B</b>	<b>67131</b>	<b>30468</b>	<b>5</b>
DO NOT SCALE DRAWING		SCALE 2:1		SHEET 1 OF 1	

8

7

6

5

4

3

2

1

F

F

E

E

D

D

C

C

B

B

A

A