

8

7

6

5

4

3

2

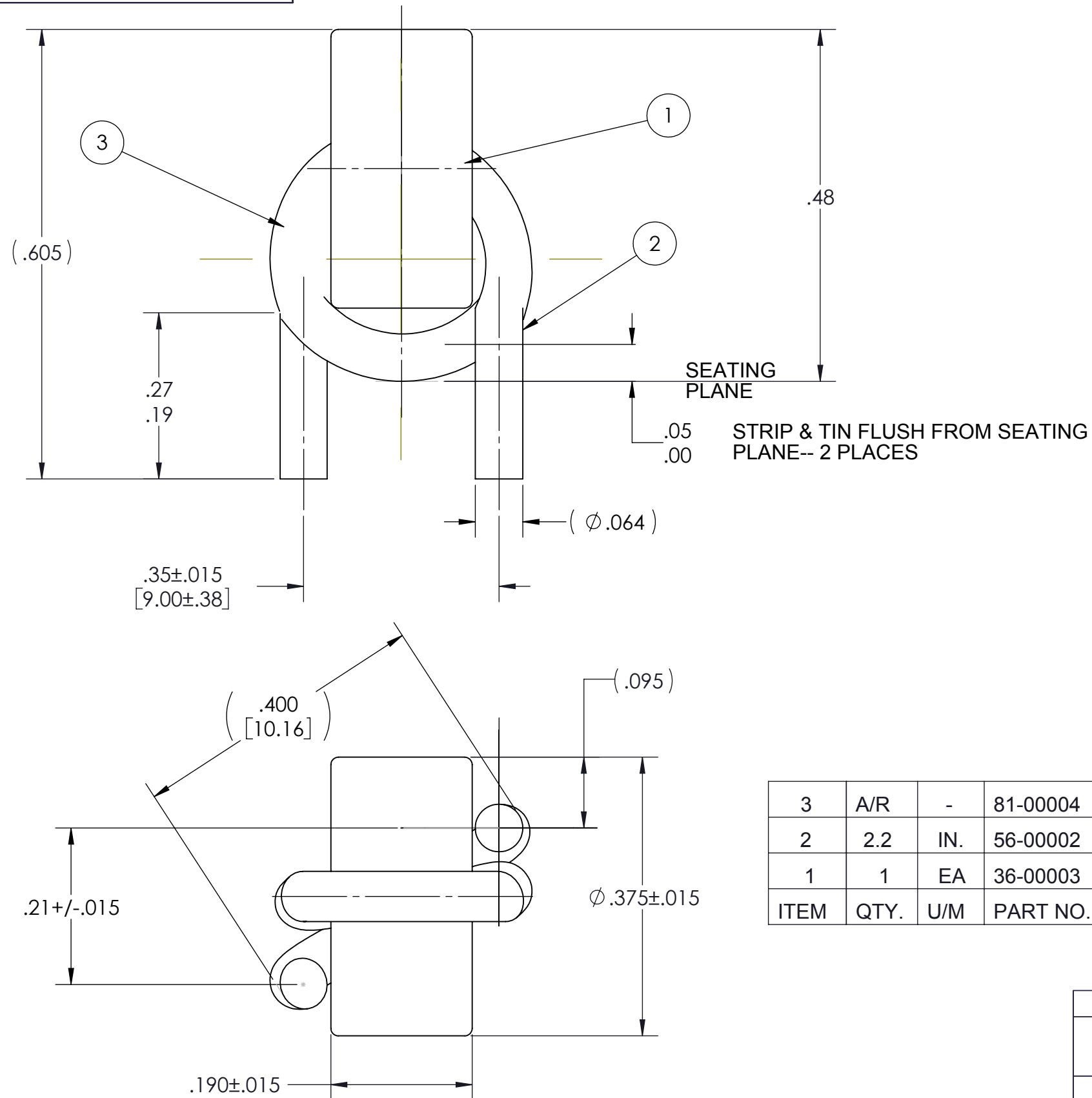
1

VICOR CONFIDENTIAL

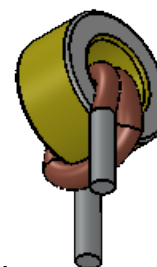
THIS DOCUMENT AND THE DATA DISCLOSED HEREIN OR HEREWITH IS NOT TO BE REPRODUCED, USED OR DISCLOSED IN WHOLE OR IN PART TO ANYONE WITHOUT THE PERMISSION OF VICOR CORP.

REVISIONS

REV	DESCRIPTION	DATE	APPROVED
1	RELEASED PER E064424	08/16/06	REJH MB
2	REVISED PER E101309	10/22/10	KUK AR
3	REVISED PER E190025	01/17/19	CL DH
4	REVISED PER E190103	02/20/19	CL DH



NOTES:
1. RoHS COMPLIANT, LEAD FREE PER CST-0001 LATEST REVISION.




ITEM	QTY.	U/M	PART NO.	DESCRIPTION	MAT'L. SPEC.
3	A/R	-	81-00004	ADHESIVE, SICOMET 7000 AND / OR LOCTITE	38240
2	2.2	IN.	56-00002	WIRE, COPPER, SOLID. #14AWG, MAGNET	
1	1	EA	36-00003	CORE, .2uH, OUTPUT	MICROMETALS-T38-26

DRAWN P.E.IENI DATE 08/15/05

VICOR SWD

MATERIAL UNLESS OTHERWISE SPECIFIED DIMENSIONS ARE INCH [MM] TOLERANCES ARE:
 DECIMALS ANGLES
 X.XX [X.X] = ±0.01 [0.25] ±1°
 X.XXX [X.XX] = ±0.005 [0.127]

FINISH THIRD ANGLE PROJECTION

 DO NOT SCALE DRAWING

INDUCTOR ASSY OUTPUT, .2uH

SIZE **B** CAGE CODE **67131** DWG NO **30268** REV **4**
 SCALE 6 : 1 SHEET 1 OF 1

8

7

6

5

4

3

2

1

F

F

E

E

D

D

C

C

B

B

A

A