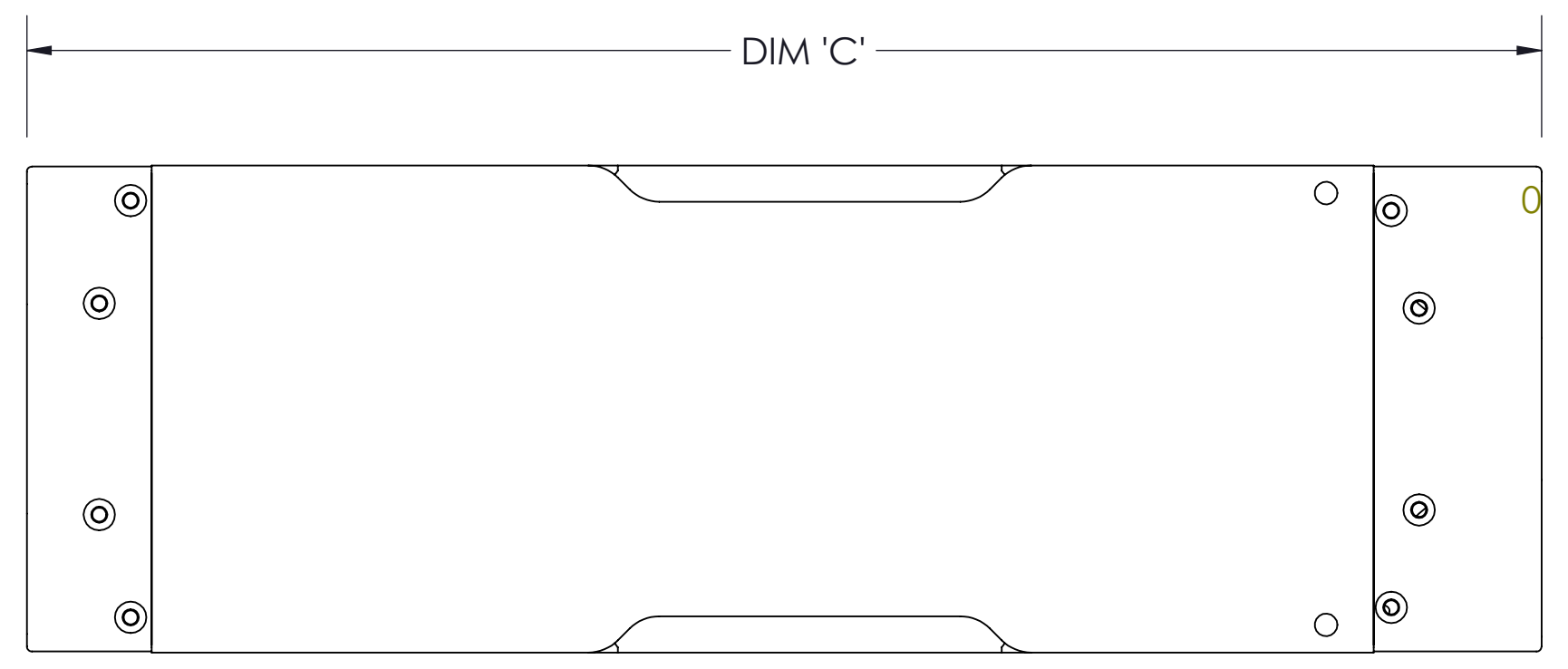
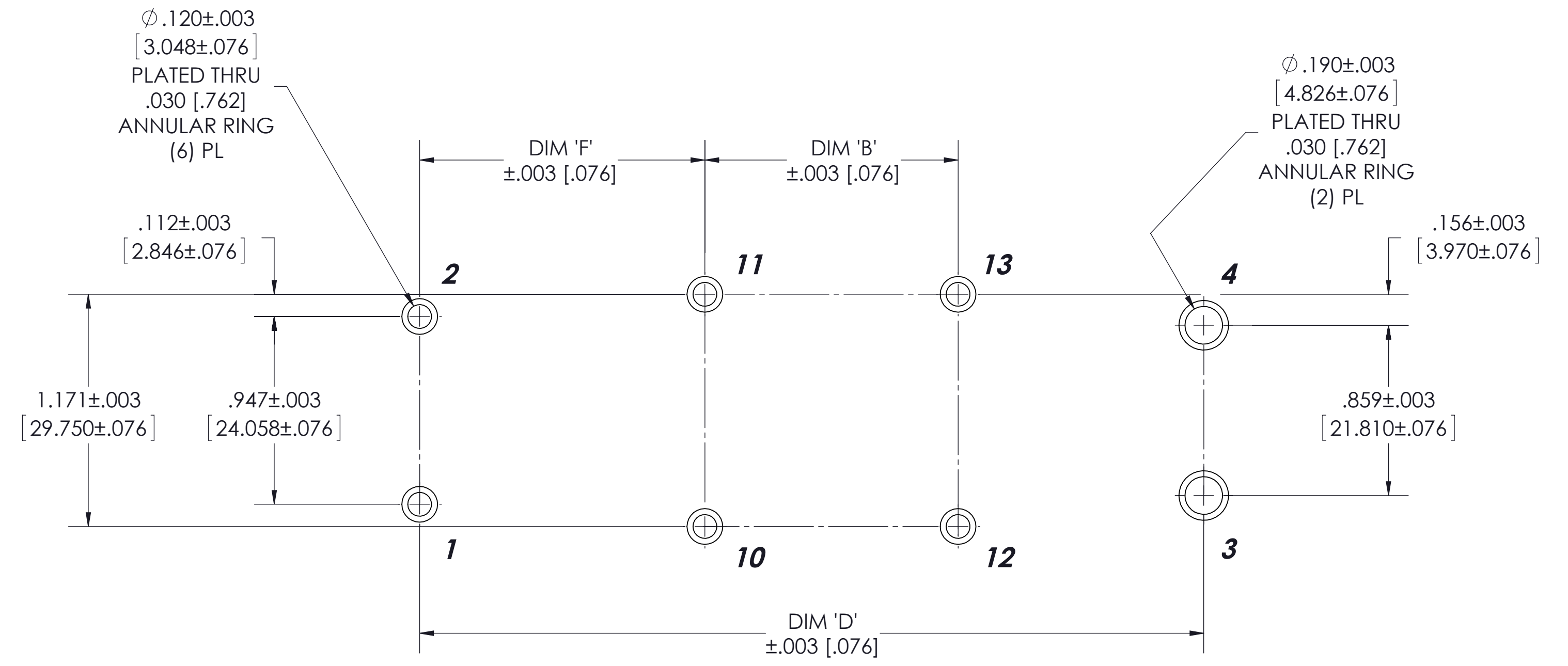
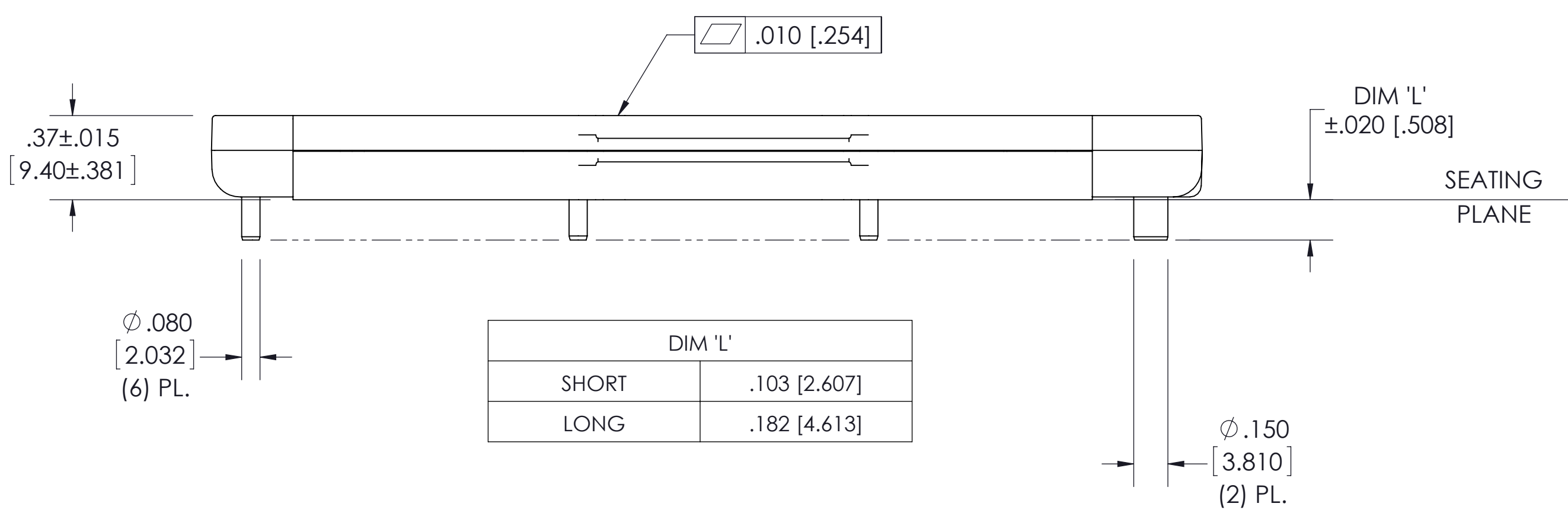


VICOR CONFIDENTIAL  
 THIS DOCUMENT AND THE DATA DISCLOSED HEREIN OR  
 HEREIN IS NOT TO BE REPRODUCED, USED OR  
 DISCLOSED IN WHOLE OR IN PART TO ANYONE WITHOUT  
 THE PERMISSION OF VICOR CORP.

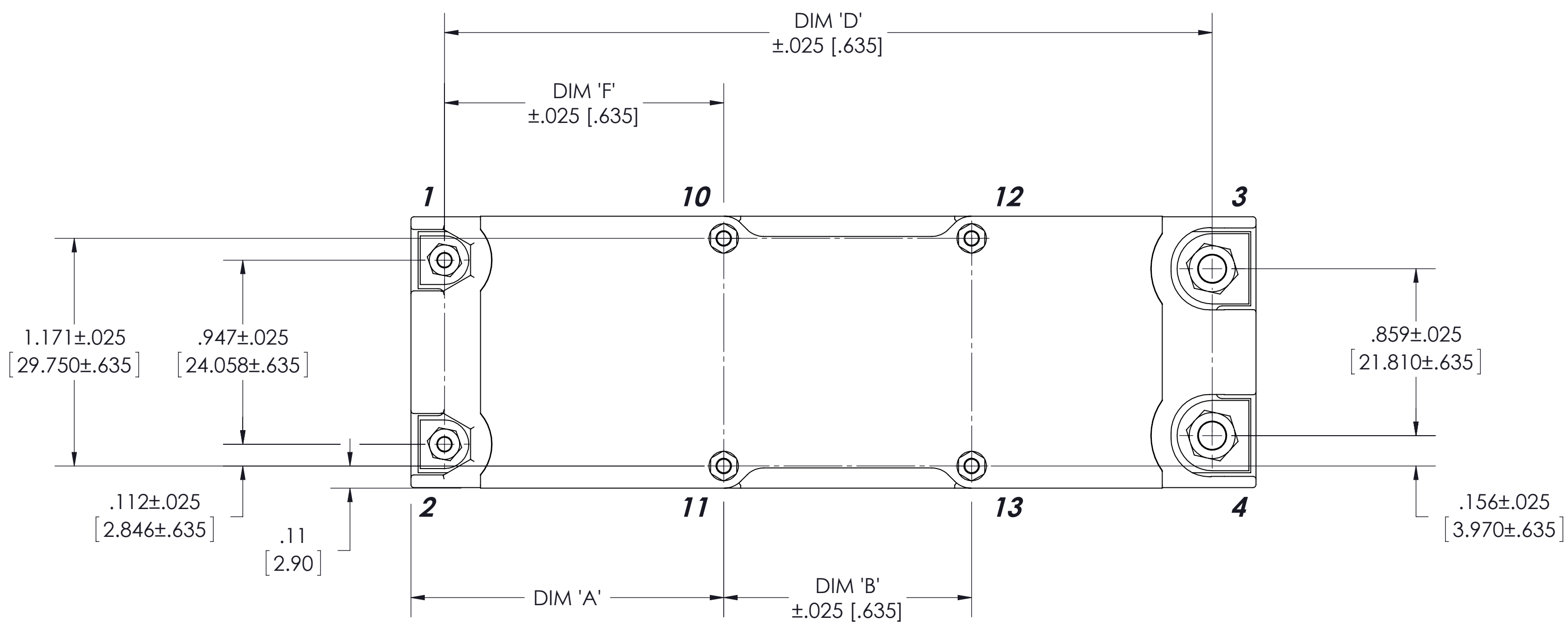
REV.	DESCRIPTION	INTL	DATE	APVD
#3	.37 [9.40] WAS .37 [9.30]	REJH	11/11/15	REJH
#4	UPDATED CHART AND PIN TOL	REJH	12/04/17	REJH
#5	UPDATED PIN LOCATION TOL	REJH	05/08/18	REJH



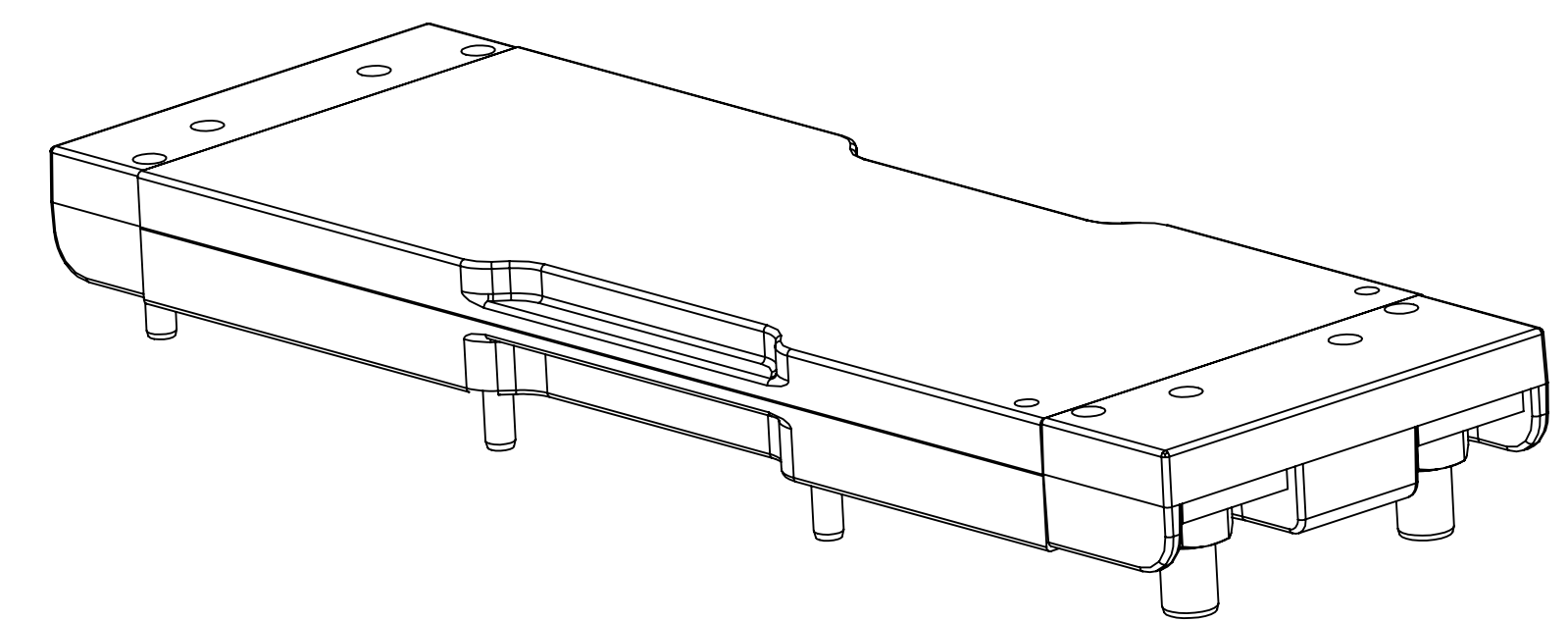
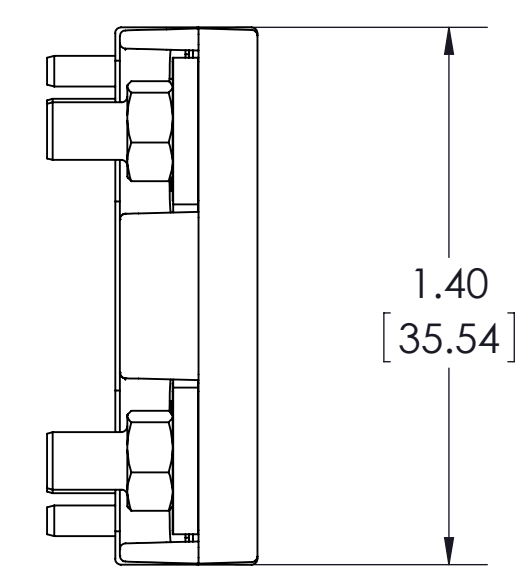
**TOP VIEW**  
(COMPONENT SIDE)



**RECOMMENDED HOLE PATTERN**  
(COMPONENT SIDE)

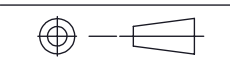


**BOTTOM VIEW**



PRODUCT	DIM 'A'	DIM 'B'	DIM 'C'	DIM 'D'	DIM 'F'
3814 NBM - OUT RETURN TO CASE	1.02 [25.96]	1.277 [32.430]	3.76 [95.59]	3.368 [85.554]	.850 [21.590]
3814 BCM - OUT RETURN TO CASE	1.02 [25.96]	1.277 [32.430]	3.76 [95.59]	3.368 [85.554]	.850 [21.590]
4414 BCM - OUT RETURN TO CASE	1.61 [40.93]	1.277 [32.430]	4.35 [110.55]	3.957 [100.517]	1.439 [36.554]

NOTES:  
 1- RoHS COMPLIANT PER CST-0001 LATEST REVISION.  
 2- SEE PRODUCT DATA SHEET FOR PIN DESIGNATIONS.

DRAWN BY R.E.J. Hickey	DATE 8/3/2015	<b>VICOR</b>		SWD	
UNLESS OTHERWISE SPECIFIED DIMENSIONS ARE: INCH / [MM]		<b>PROD OUTL, VIA, PCB MNT, W/O COMM. (SSC)</b>			
TOLERANCES ARE: DECIMALS ANGLES X.XX (X.XX) = ±0.01 (0.25) °11 X.XXX (X.XXX) = ±0.005 (0.127) °11		SIZE <b>D</b>	CAGE CODE <b>67131</b>	DWG NO <b>42699</b>	REV <b>#5</b>
THIRD ANGLE PROJECTION 		SCALE 2:1		SHEET 1 OF 1	