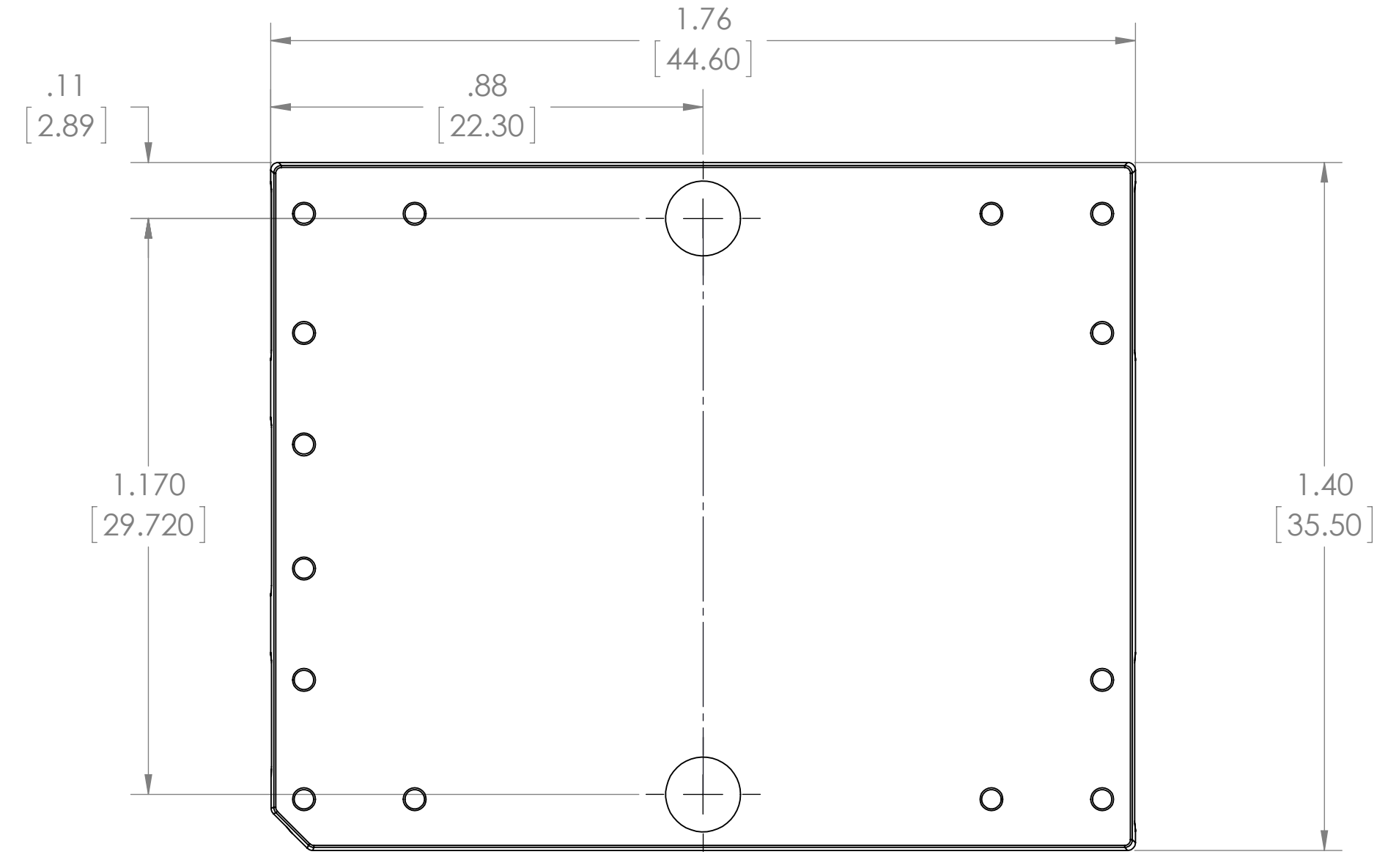
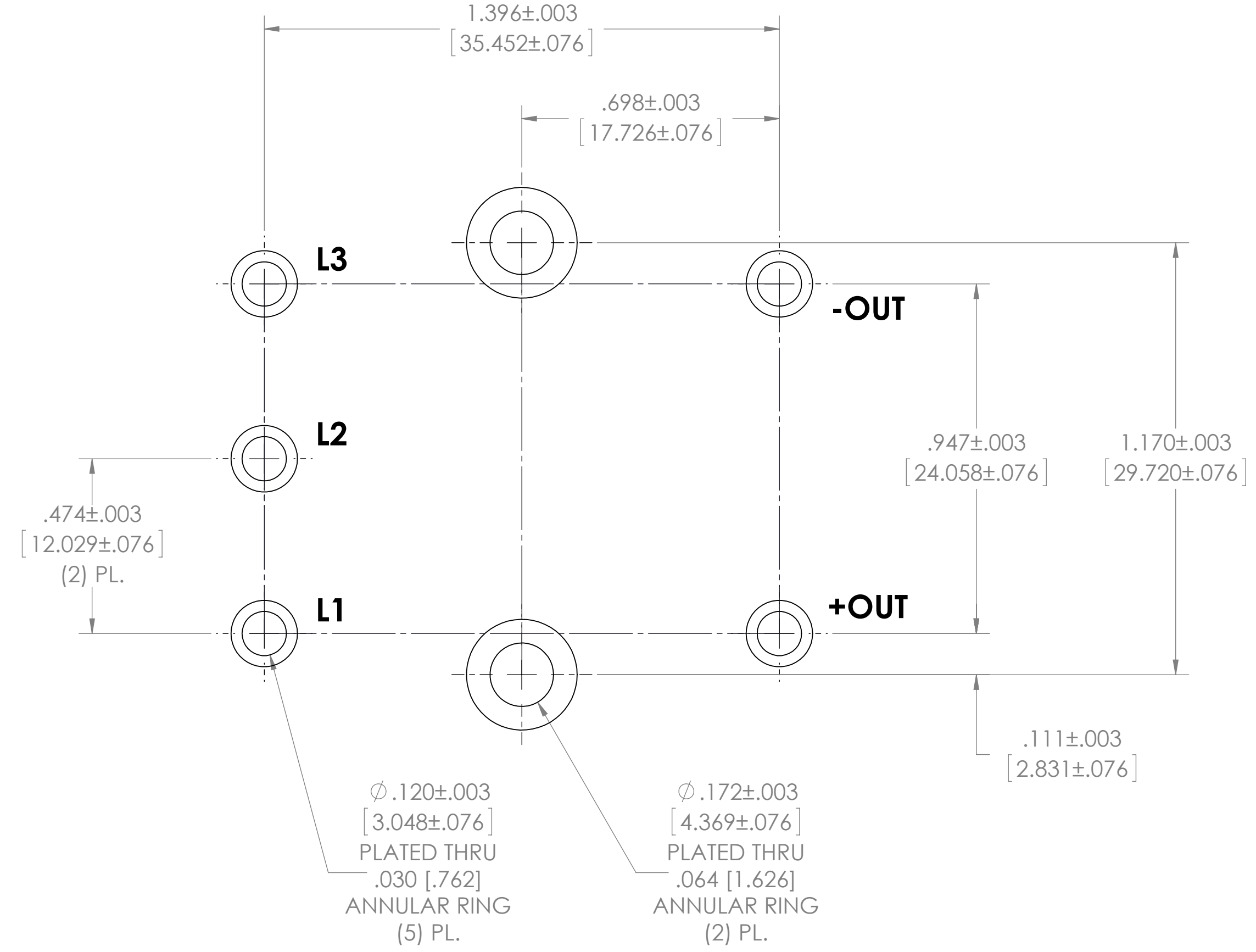
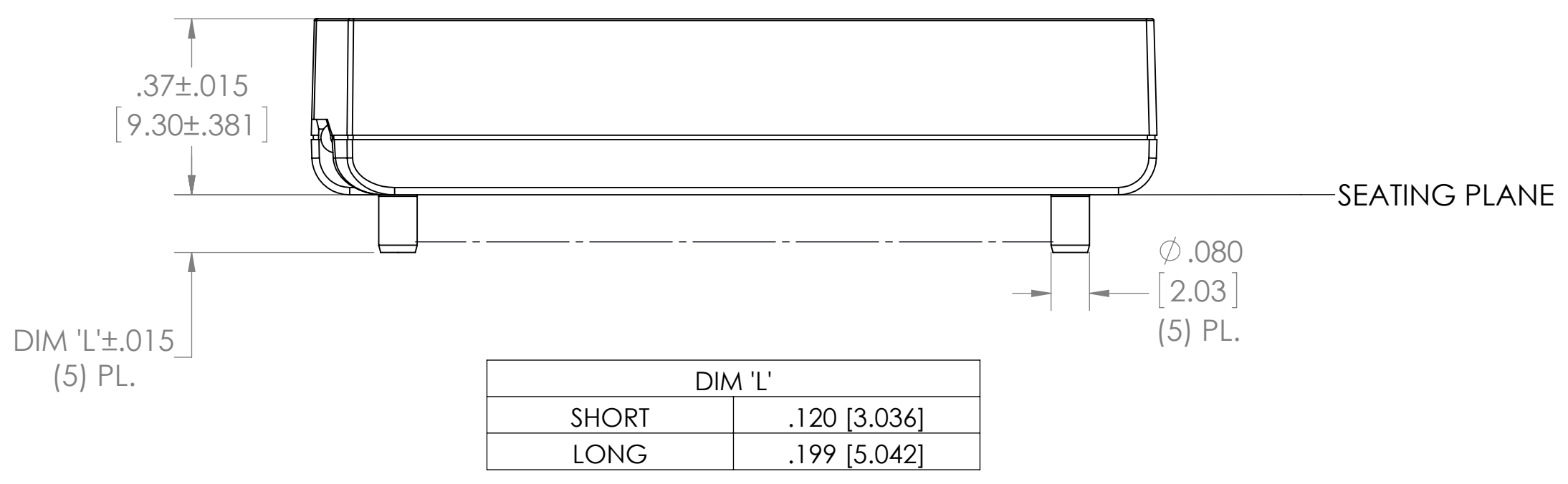


VICOR CONFIDENTIAL
 THIS DOCUMENT AND THE DATA DISCLOSED HEREIN OR
 HEREIN IS NOT TO BE REPRODUCED, USED OR
 DISCLOSED IN WHOLE OR IN PART TO ANYONE WITHOUT
 THE PERMISSION OF VICOR CORP.

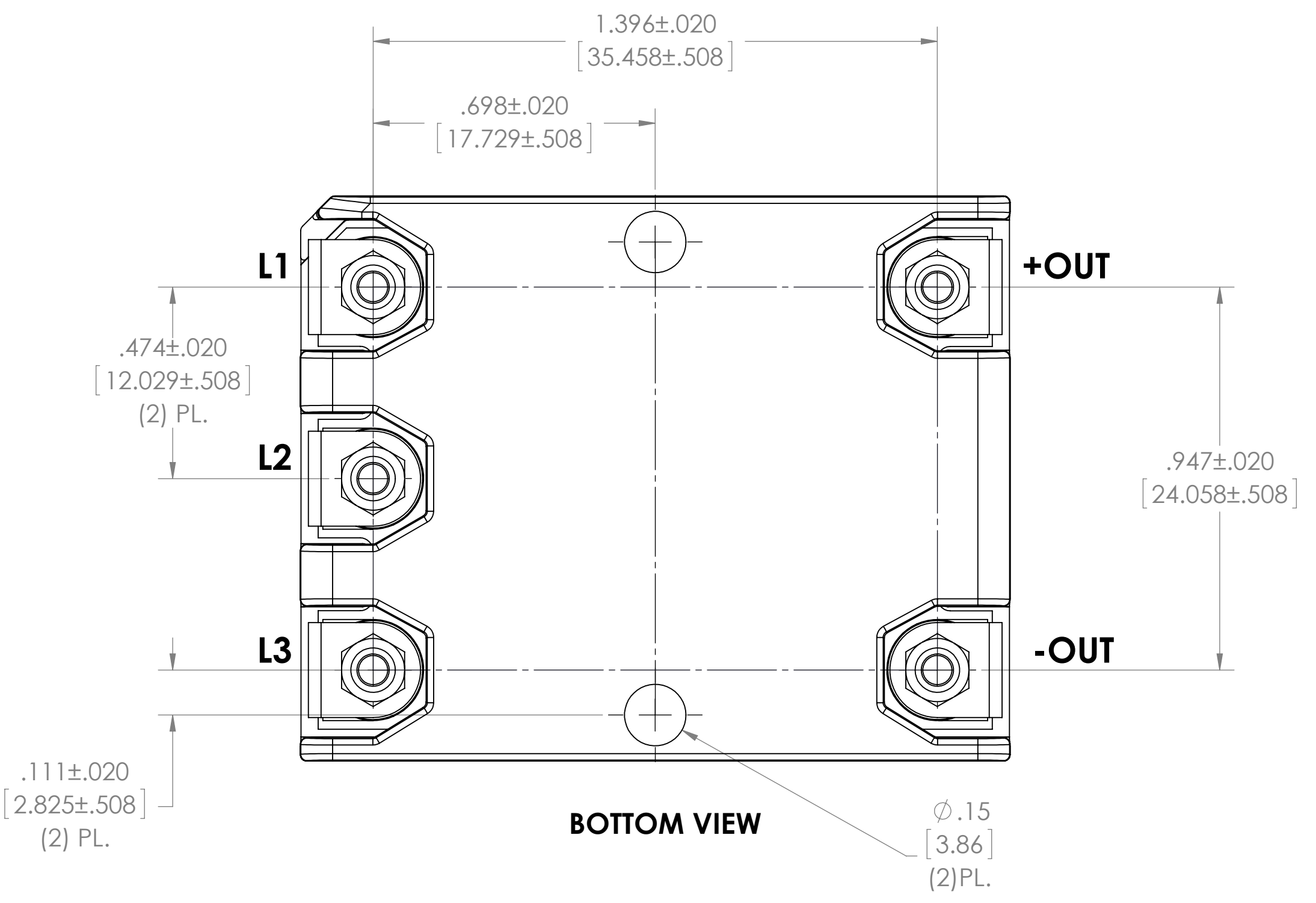
REV.	DESCRIPTION	INTL	DATE	APVD
1	RELEASE PER E170861	REJH	09/30/17	EB
2	REVISED PER E180326	REJH	05/07/18	AM



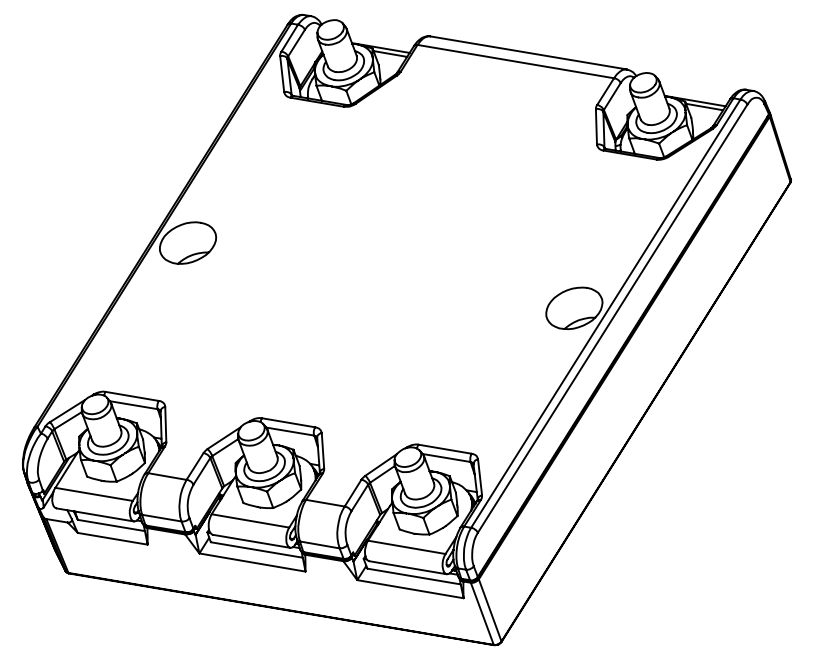
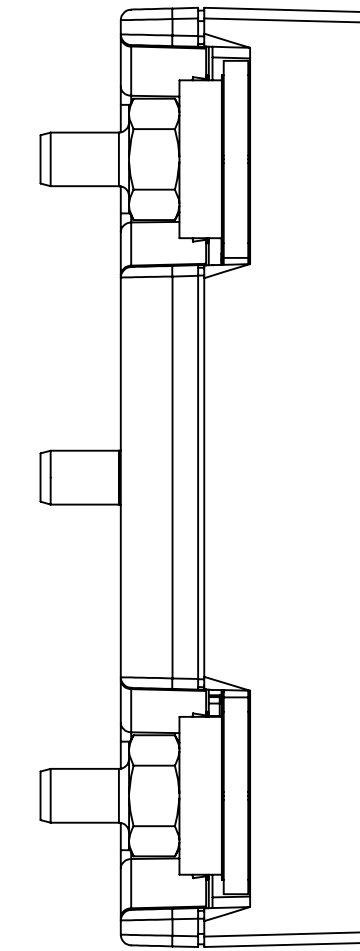
TOP VIEW
(COMPONENT SIDE)



RECOMMENDED HOLE PATTERN
(COMPONENT SIDE)



BOTTOM VIEW



NOTES:
 1. RoHS COMPLIANT PER CST-0001 LATEST REVISION.

DRAWN BY Matthew Biron	DATE 5/18/2016	VICOR		SWD
UNLESS OTHERWISE SPECIFIED DIMENSIONS ARE: INCH / (MM)		PROD OUTL PCB MNT 3 PHASE AIM		
TOLERANCES ARE: DECIMALS X.XX (X.XX) = +0.01 (0.25) X.XXX (X.XXX) = ±0.005 (0.127)	ANGLES °	SIZE D	CAGE CODE 67131	DWG NO 44316
THIRD ANGLE PROJECTION	SCALE 3.5:1	REV 2	SHEET 1 OF 1	