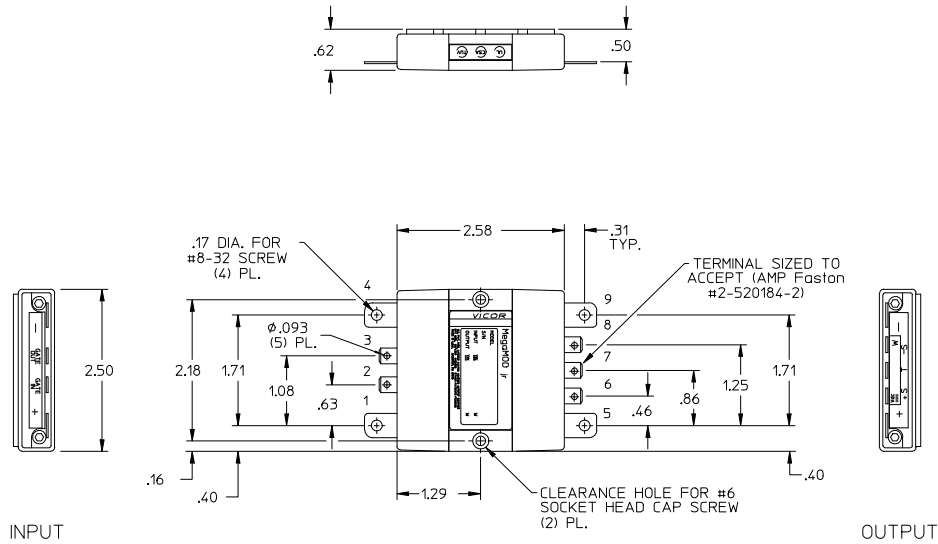


THIS DOCUMENT AND THE DATA DISCLOSED HEREIN OR HEREWITH IS NOT TO BE REPRODUCED, USED, OR DISCLOSED IN WHOLE OR IN PART TO ANYONE WITHOUT PERMISSION OF VICOR CORP.

| REV. | DESCRIPTION | DATE | APVD |
|------|------------------------------|---------------|------|
| 4 | REVISED & RELEASED E070372 | YWT 02/22/07 | BP |
| 5 | REVISED PER E090304 | REJH 02/02/09 | AR |
| 6 | DOCUMENT REVISED PER E091196 | JS 07/22/09 | AR |



PIN FUNCTIONS

| PIN # | MINI-MOD | VI-LRAM | VI-LIAM | VI-LAIM |
|-------|------------|---------------|----------|---------------|
| 1 | +IN | +IN | +IN | L1 |
| 2 | GATE IN | +SENSE IN | +IN | NO CONNECTION |
| 3 | GATE OUT | -SENSE IN | -IN | NO CONNECTION |
| 4 | -IN | -IN | -IN | L2/N |
| 5 | +OUT | +OUT | +OUT | +OUT |
| 6 | +SENSE OUT | +SENSE OUT | GATE IN | GATE IN |
| 7 | TRIM | NO CONNECTION | PARALLEL | PARALLEL |
| 8 | -SENSE OUT | -SENSE OUT | GATE OUT | GATE OUT |
| 9 | -OUT | -OUT | -OUT | -OUT |

NOTES:
 1. RoHS COMPLIANT PER CST-0001 LATEST REVISION.
 2. PINOUTS SHOWN IN THE END VIEWS ARE FOR MINI MOD.

| | | | | |
|---|----------------|--|------------------|-----------|
| DRAWN BY: B. J. REEVES | DATE: 03/04 | <p>OUTLINE DRAWING, 1UP, MEGAMOD Jr.</p> | | |
| <small>UNLESS OTHERWISE SPECIFIED DIMENSIONS ARE IN INCHES TOLERANCES ARE: FRACTIONS DECIMALS ANGLES .XX .XX .XX .XX .XX .XX</small> | | | | |
| THIRD ANGLE PROJECTION | SIZE: D | CAGE CODE: 67131 | DWG NO: 07045 | REV: 6 |
| DO NOT SCALE DRAWING | SCALE: | SHEET 1 | OF 1 | |