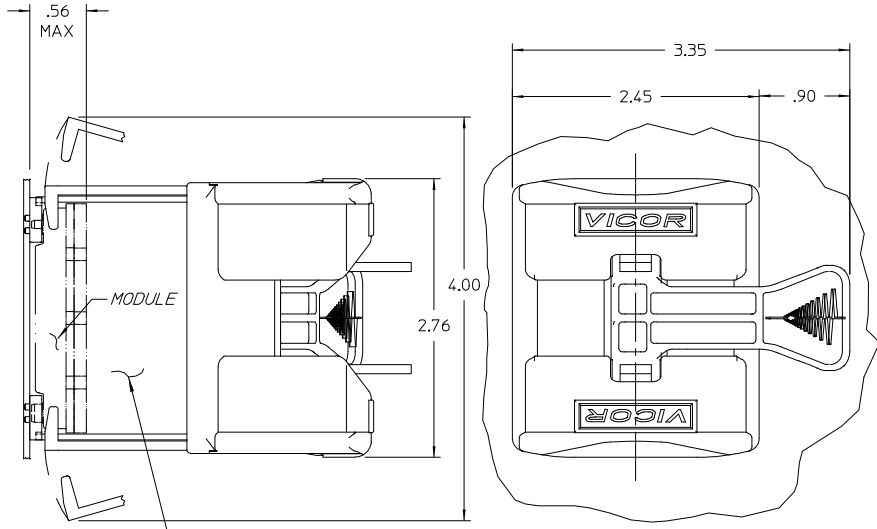
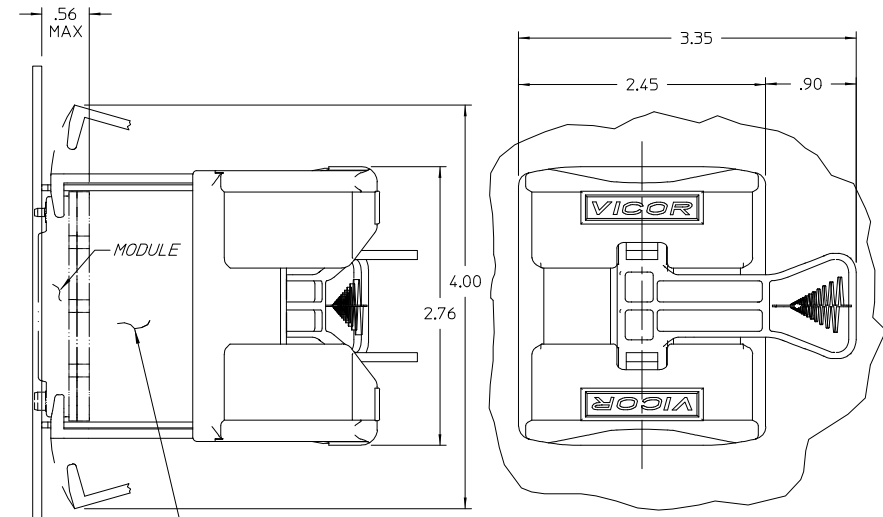


THIS DOCUMENT AND THE DATA DISCLOSED HEREIN OR HEREWITH IS NOT TO BE REPRODUCED, USED, OR DISCLOSED IN WHOLE OR IN PART TO ANYONE WITHOUT PERMISSION OF VICOR CORP.

REV.	DESCRIPTION	DATE	APPROVED
1	RELEASE PER E130913	GCK 6/21/13	MH



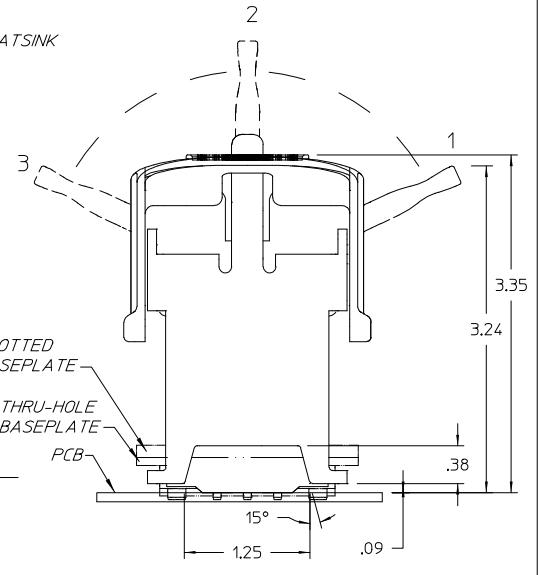
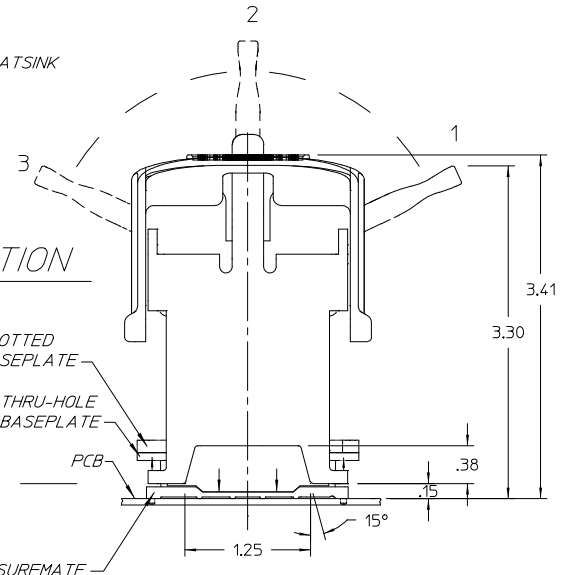
CLEARANCE FOR HEATSINK



CLEARANCE FOR HEATSINK

SURFMATE APPLICATION

INMATE APPLICATION



- NOTES:
- MATERIAL:  
 FRAME & HOOKS: 1020 CRS  
 HANDLE, CAMS, & CAM BLOCKS: PPS RYTON R4 (BLACK)  
 COVER: URETHANE, BRS 200 (BLACK)
  - ALL DIMENSIONS ARE INCH.
  - HOOK TRAVEL WORKS WITH ALL MODULE APPLICATIONS. SEE TABLE.
  - RoHS COMPLIANT PER CST-0001 LATEST REVISION.

Acceptable Applications						
Mounting Style	Pin Style	Baseplate Type			Heatsink Type	
		Slot	Thru	Threaded	Thru	Threaded
In-Board (InMATE)	I	X	X	X	X	X
On-Board (InMATE)	I	X	X	X	X	X
	II	X	X	X	X	X
Surface Mount (SurfMATE)	I	X	X	X	X	X

DRAWN BY: LAP NGUYEN  
 DATE: 11/00  
 UNLESS OTHERWISE SPECIFIED DIMENSIONS ARE IN INCHES - TOLERANCES ARE:  
 FRACTIONS: DECIMALS: ANGLES:  
 +1/64 .XX+ .01 \*1°  
 .XXX-.005

THIRD ANGLE PROJECTION  
 DO NOT SCALE DRAWING

**APPS DWG, VI-800  
 MODULE EXCHANGE TOOL**

SIZE: C	FSCM NO.: 67131	DWG NO.: 23284	REV: 1
SCALE: 1:1	SHEET 1 OF 1		