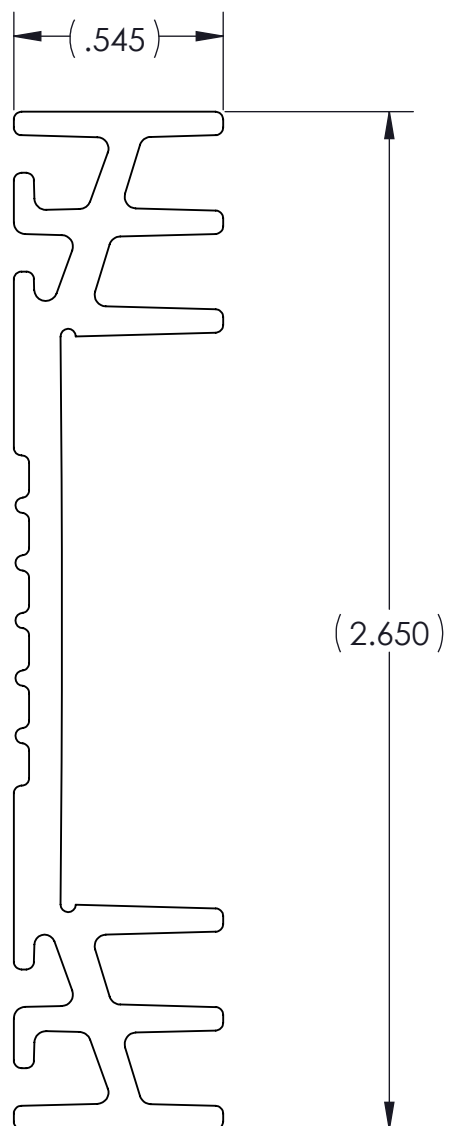
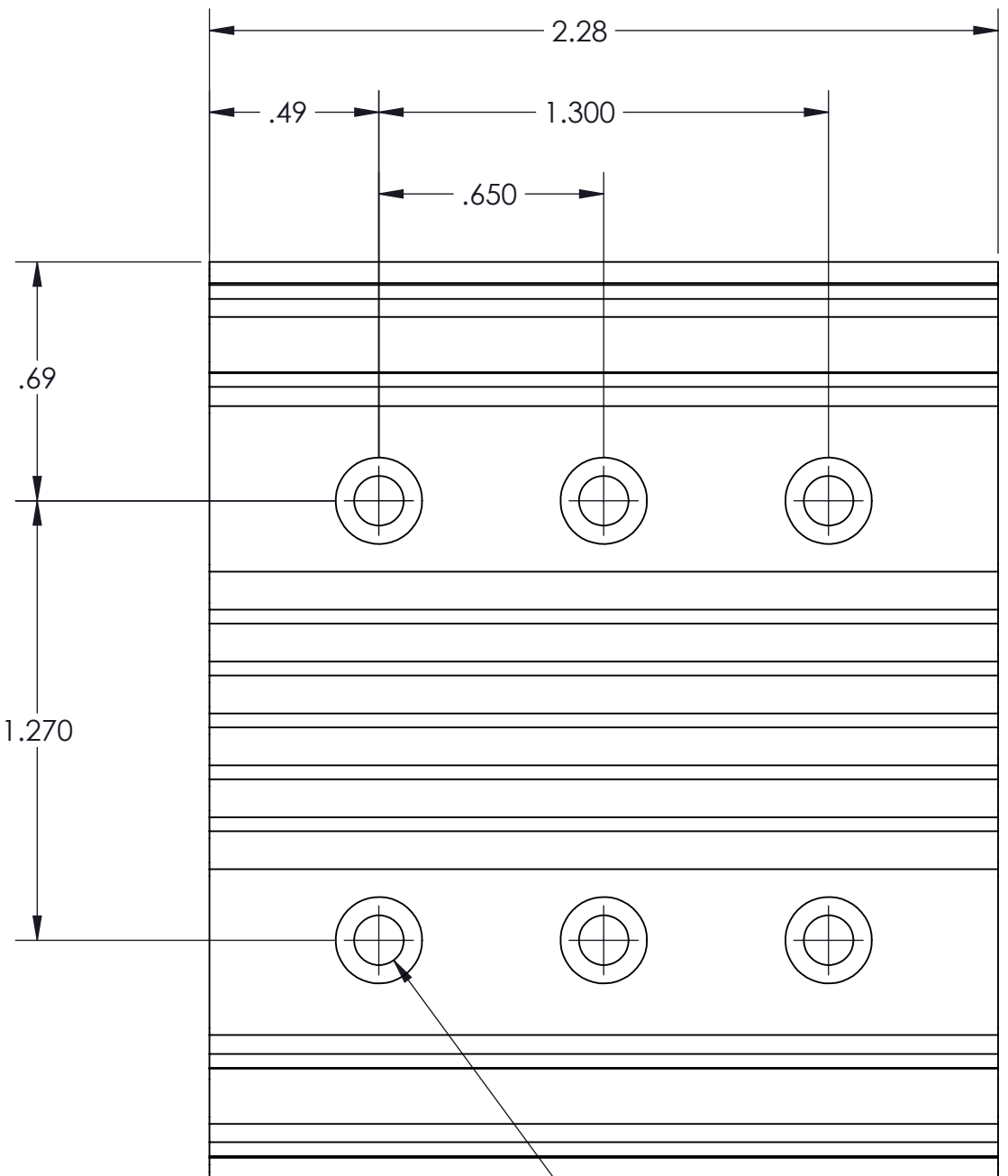


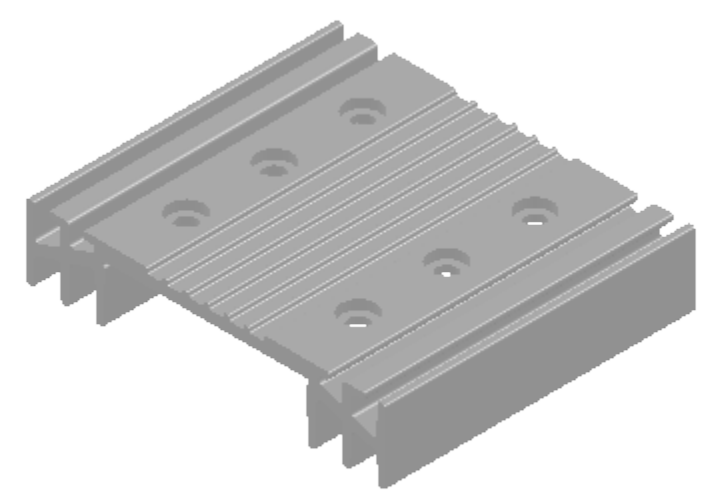
VICOR CONFIDENTIAL  
 THIS DOCUMENT AND THE DATA DISCLOSED HEREIN OR  
 HEREWITH IS NOT TO BE REPRODUCED, USED OR  
 DISCLOSED IN WHOLE OR IN PART TO ANYONE WITHOUT  
 THE PERMISSION OF VICOR CORP.

REVISIONS				
REV	DESCRIPTION		DATE	APPROVED
1	RELEASED PER E053437	LEK	11/15/05	EF
2	REVISED PER E090943	AR	06/05/09	REJH
3	REDRAWN PER E100903	DCS	7/14/10	KUK
4	REVISED PER E210383	CJG	05/11/21	SF
5	REVISED PER E210400	REJH	05/19/21	CG



φ .149 (#27) THRU  
 .143  
 φ .250 C'BORE X .070 DP  
 (6) PL.

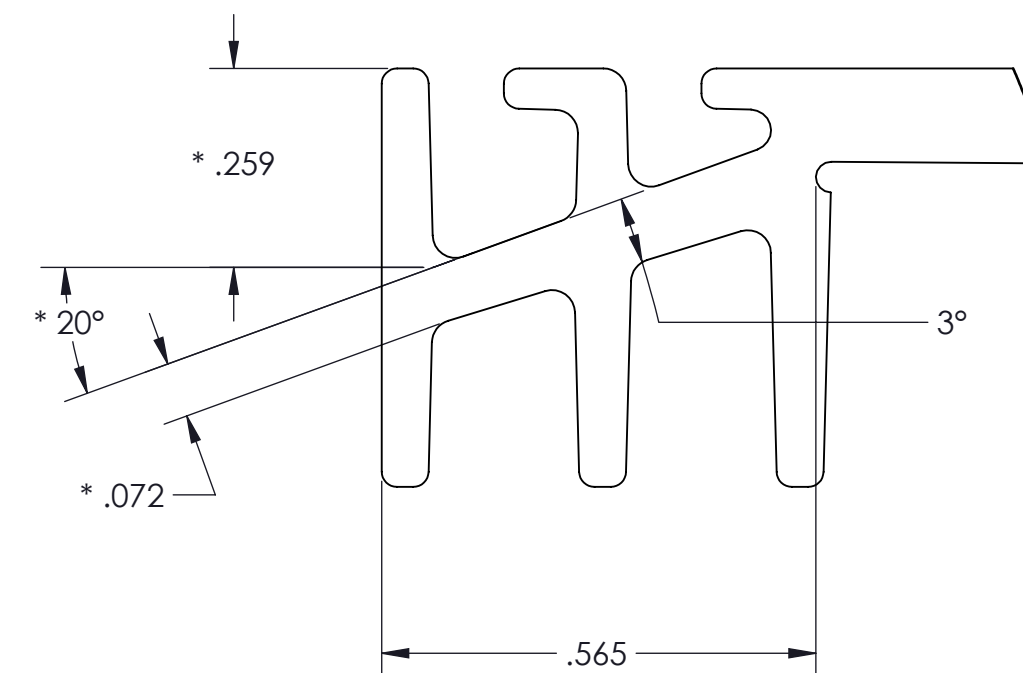
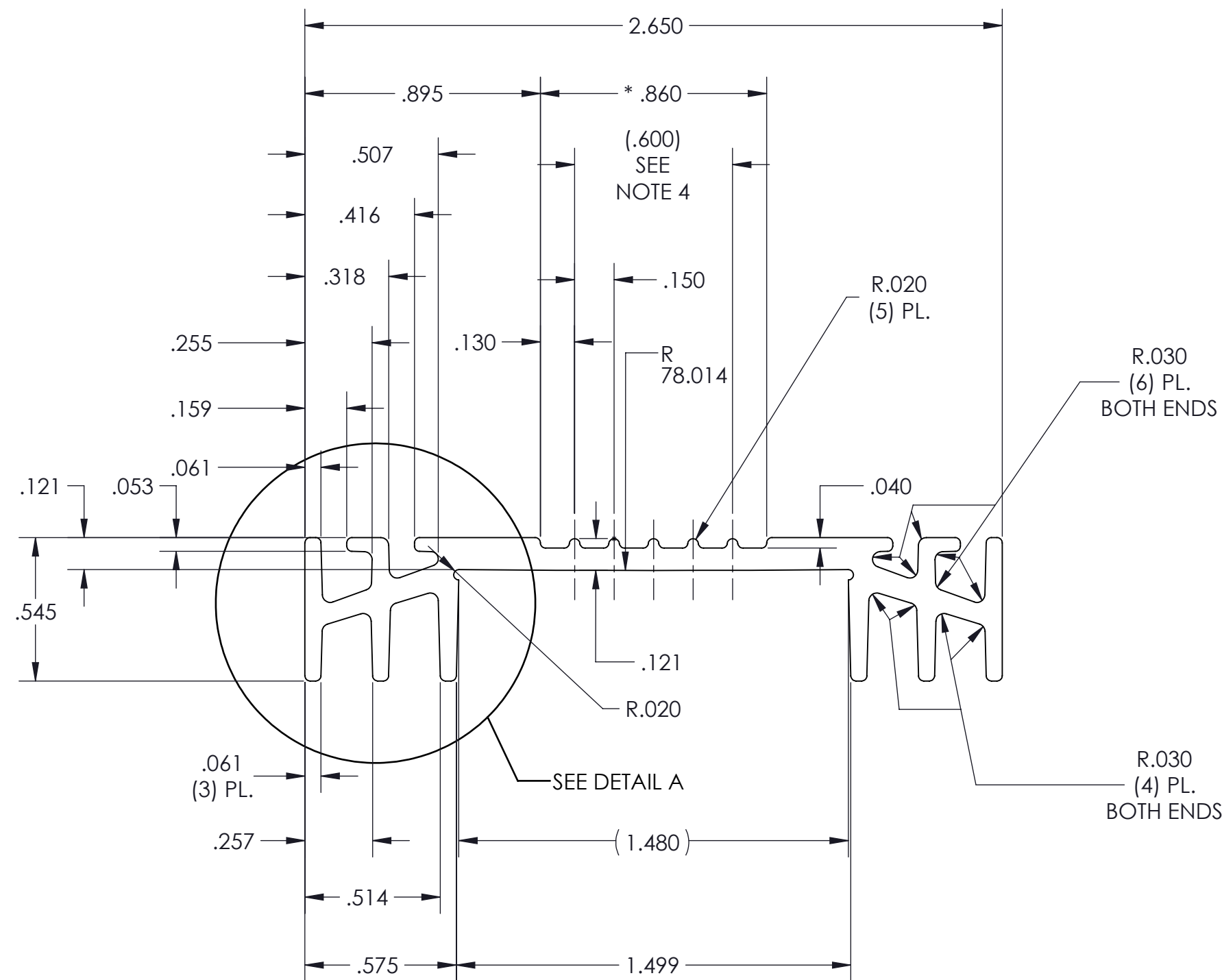
- NOTES:
1. MATERIAL: EXTRUSION, SEE SHEET 2 OF 2
  2. REMOVE ALL LOOSE AND HANGING BURRS, OTHERWISE, BURRS SHALL NOT EXCEED .003.
  3. CLEAR FINISH, RoHS COMPLIANT CHROMIUM FREE PER CST-0001 LATEST REVISION.
  4. ○ DENOTES CRITICAL CHARACTERISTIC FOR LOT INSPECTION.
  5. DIMENSIONS ARE INCHES ONLY.



DRAWN BY L. KNIGHT		DATE 5/23/05		SWD	
MATERIAL SEE NOTES		UNLESS OTHERWISE SPECIFIED DIMENSIONS ARE : INCH/ [MM] TOLERANCES ARE: DECIMALS ANGLES X.XX [X.XX] = ±0.01 [0.25] ±1° X.XXX [X.XXX] = ±0.005 [0.127]			
FINISH SEE NOTES		THIRD ANGLE PROJECTION 		SIZE <b>C</b>	CAGE CODE <b>67131</b>
		DWG NO <b>30095</b>		REV <b>5</b>	
SCALE 2:1			SHEET 1 OF 2		

THIS DOCUMENT AND THE DATA DISCLOSED HEREIN OR HEREWITH IS NOT TO BE REPRODUCED, USED OR DISCLOSED IN WHOLE OR IN PART TO ANYONE WITHOUT THE PERMISSION OF VICOR CORP.

REV	DESCRIPTION	DATE	APPROVED
	SEE SHEET 1 OF 2		



NOTES:

1. MATERIAL: ALUMINUM 6063-T5.
2. \* DENOTES DIMENSION TO THEORETICAL SHARP CORNER.
3. DIMENSIONS SHOWN CAN BE USED ON OPPOSITE ENDS AS NEEDED.
4. (4) EQUAL SPACES @ .150=.600 (TOL. TO BE NON-CUMULATIVE)
5. UNLESS OTHERWISE SPECIFIED:  
A. DRAFT ANGLES TO BE 1.5°.  
B. RADII TO BE 0.020.
6. DIMENSIONS ARE INCHES ONLY.

DRAWN BY L. KNIGHT		DATE 5/23/05		SWD	
MATERIAL SEE NOTES		UNLESS OTHERWISE SPECIFIED DIMENSIONS ARE : INCH / (MM) TOLERANCES ARE: DECIMALS                      ANGLES X.XX [X.XX] = ±0.01 [0.25]    ±1° X.XXX [X.XXX] = ±0.005 [0.127]		<b>HEATSINK, MICRO, LOW PROFILE (2.28L X 2.65 W)</b>	
FINISH SEE NOTES		THIRD ANGLE PROJECTION 		SIZE <b>C</b>	CAGE CODE <b>67131</b>
		DO NOT SCALE DRAWING		DWG NO <b>30095</b>	REV <b>5</b>
				SCALE 2:1      SHEET 2 OF 2	