

8

7

6

5

4

3

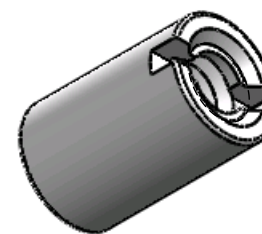
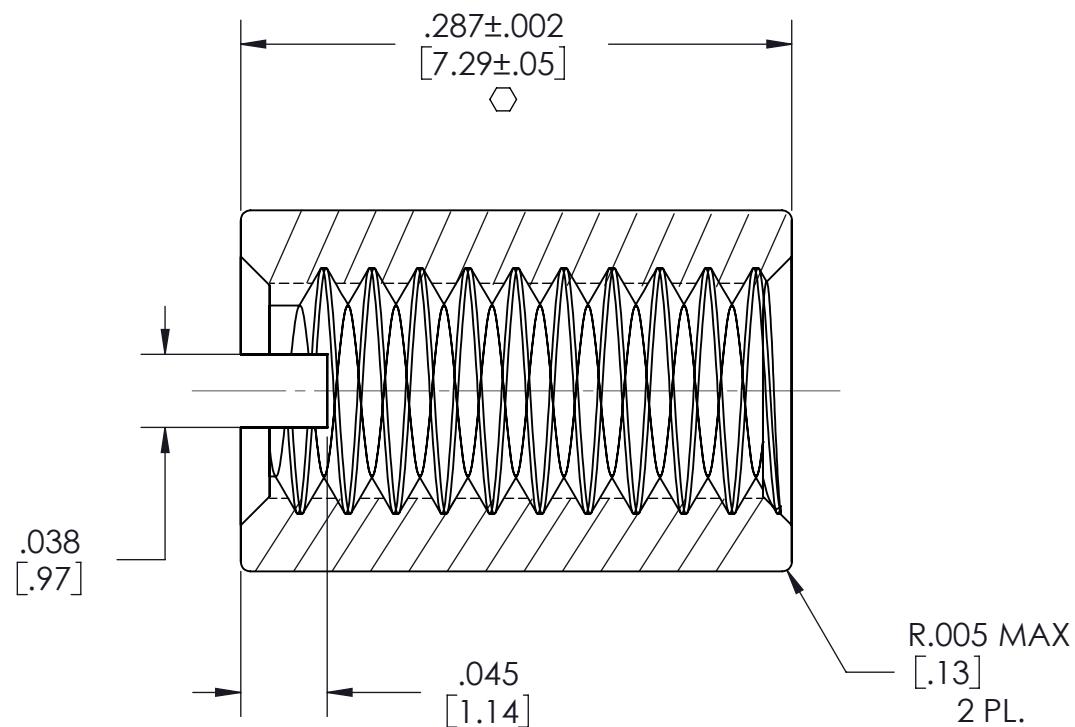
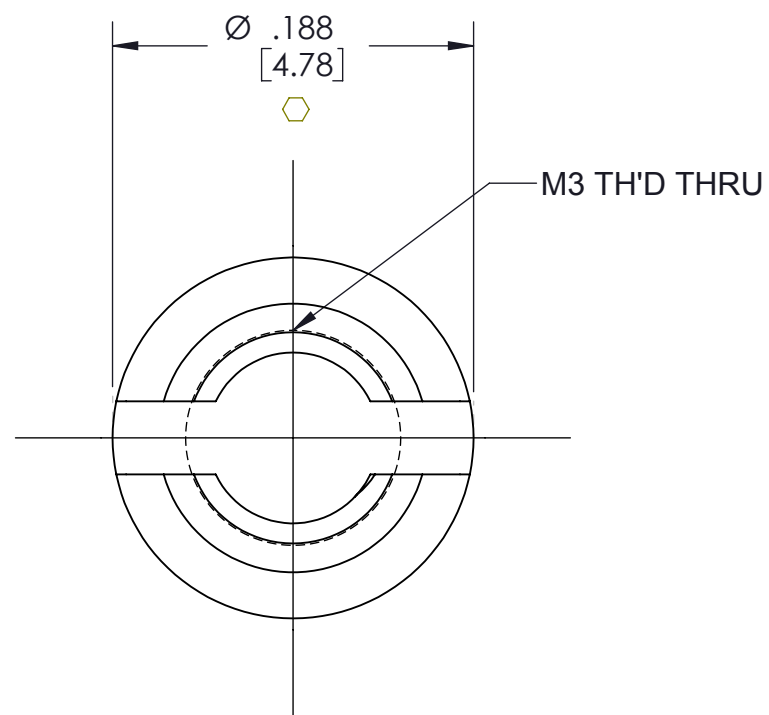
2

1

VICOR CONFIDENTIAL

THIS DOCUMENT AND THE DATA DISCLOSED HEREIN OR HEREWITH IS NOT TO BE REPRODUCED, USED OR DISCLOSED IN WHOLE OR IN PART TO ANYONE WITHOUT THE PERMISSION OF VICOR CORP.

REV.	DESCRIPTION	DATE	APPROVED
1	RELEASED PER E080703 SA	04/08/08	REJH
2	REVISED PER E100944 KUK	07/22/10	DCS
3	REVISED PER E101095 KUK	08/30/10	GCK
4	REVISED PER E1020762 REJH	08/22/12	KUK



NOTES:

- 1. MATERIAL: 300 SERIES STAINLESS STEEL PER AISI.
- 2. REMOVE ALL BURRS AND SHARP EDGES.
- 3. CLEAR FINISH. RoHS COMPIANT LEAD FREE AND CHROMIUM FREE PER CST-0001 LATEST REVISION.
- 4. DENOTES CRITICAL CHARACTERISTIC FOR LOT INSPECTION.
- 5. KIT P/N 34717, 34718 AND 34709.
- 5. DIMENSIONS ARE INCHES ONLY.

DRAWN BY	DATE			SWD	
Mike Lafleur	12/03/2007				
UNLESS OTHERWISE SPECIFIED DIMENSIONS ARE : INCH / [MM]		<p><b>STANDOFF, 0.287 LG FEMALE-FEMALE</b></p>			
TOLERANCES ARE:					
DECIMALS	ANGLES				
X.XX [X.X] = ±0.01 [0.25]	±1°	SIZE	CAGE CODE	DWG NO	REV
X.XXX [X.XX] = ±0.005 [0.127]		<b>B</b>	<b>67131</b>	<b>34456</b>	<b>4</b>
THIRD ANGLE PROJECTION		SCALE 10:1		SHEET 1 OF 1	
DO NOT SCALE DRAWING					

8

7

6

5

4

3

2

1