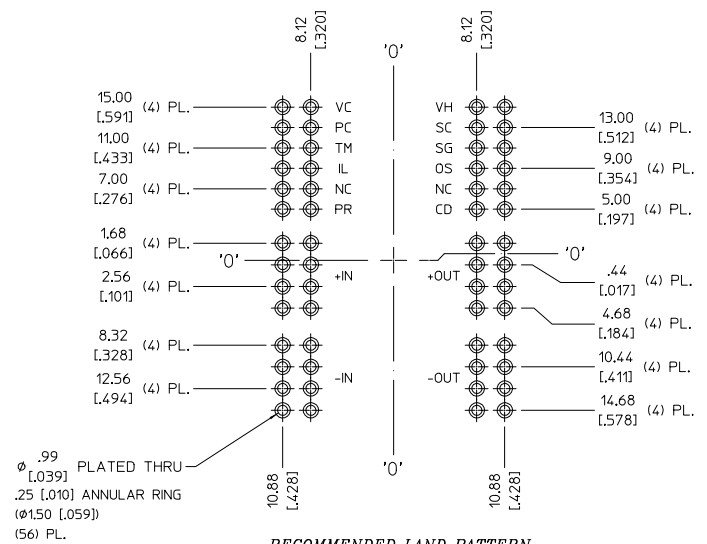
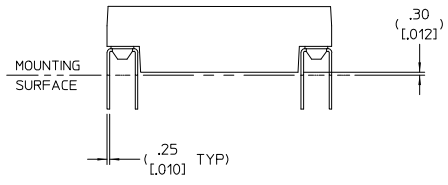
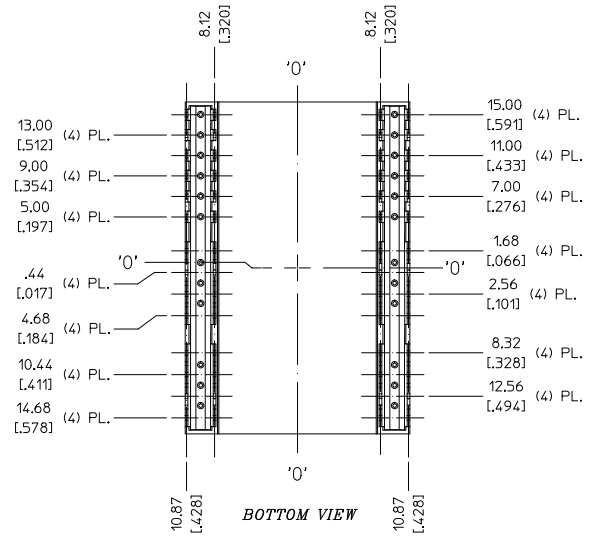
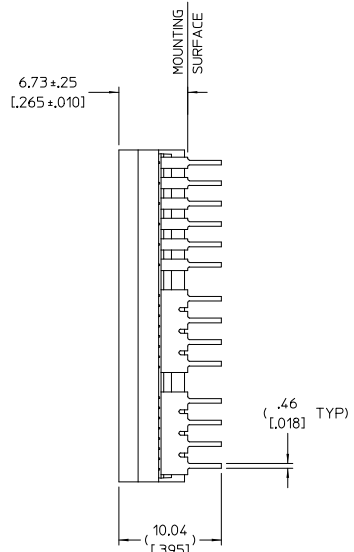
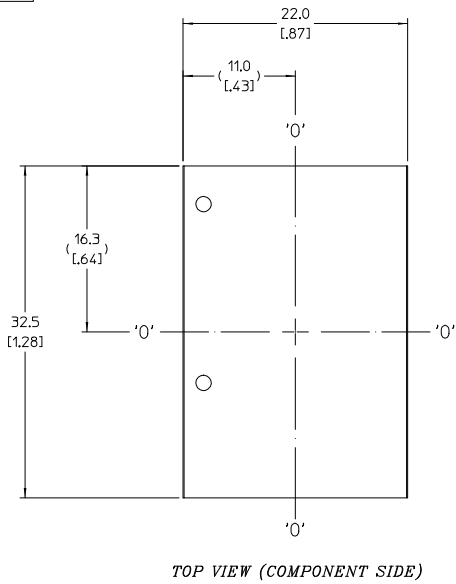


VICOR CONFIDENTIAL

THIS DOCUMENT AND THE DATA DISCLOSED HEREIN OR HEREWITH IS NOT TO BE REPRODUCED, USED, OR DISCLOSED IN WHOLE OR IN PART TO ANYONE WITHOUT PERMISSION OF VICOR CORP.

REV.	DESCRIPTION	DATE	APVD
1	RELEASED PER E100198	JS 02/26/10	RE.H



NOTE:  
1. RoHS COMPLIANT PER CST-0001 LATEST REVISION.

DRAWN BY: J.S. LARSEN	DATE: 12/02/09	VICOR	
UNLESS OTHERWISE SPECIFIED DIMENSIONS ARE IN INCH	TOLERANCES ARE:		
FRAMES: .005	ANGLES: .005	PRODUCT OUTLINE DWG.	
DO NOT SCALE DRAWING	SCALE: 4:1	SIZE: D	REV: 1
		CAGE CODE: 67131	DWG NO: 36130
			SHEET 1 OF 1