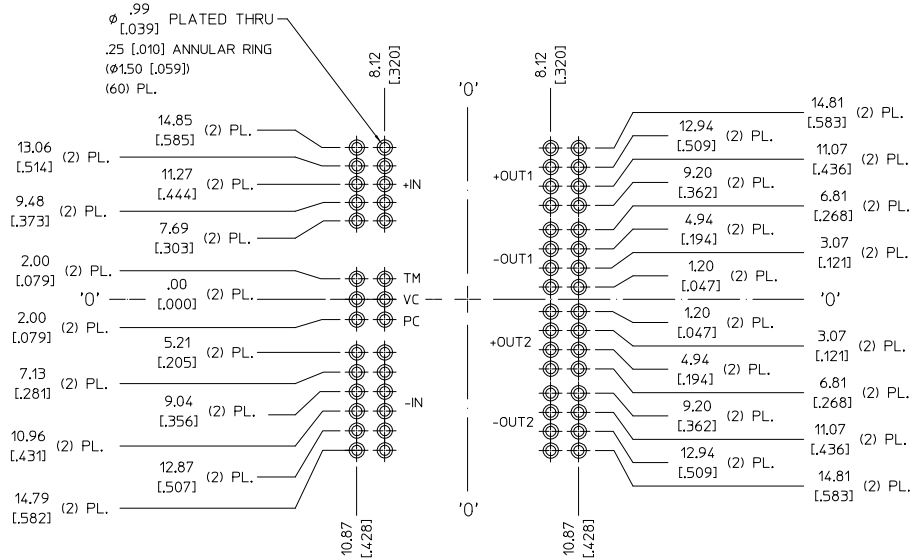
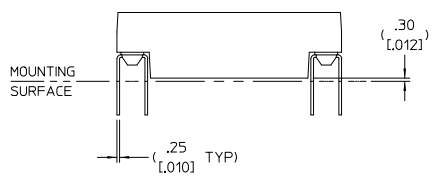
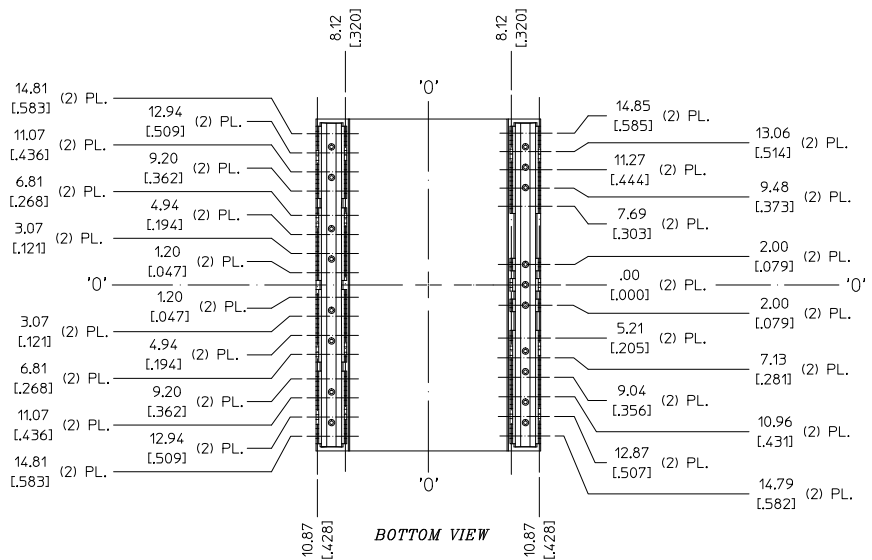
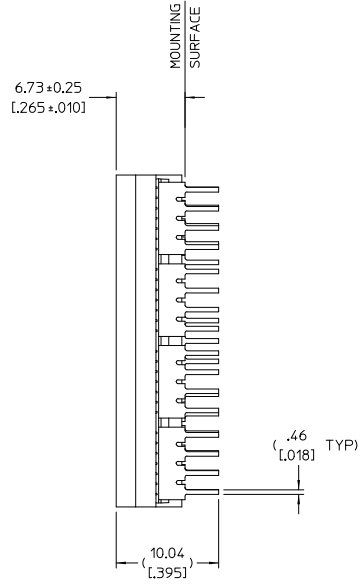
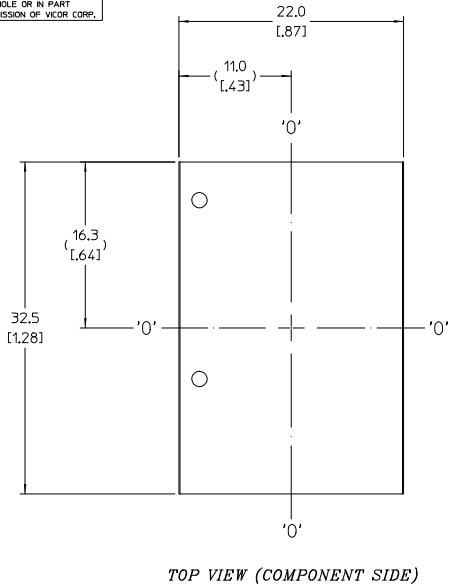


VICOR CONFIDENTIAL
 THIS DOCUMENT AND THE DATA DISCLOSED
 HEREIN OR HEREWITH IS NOT TO BE REPRODUCED,
 USED, OR DISCLOSED IN WHOLE OR IN PART
 TO ANYONE WITHOUT PERMISSION OF VICOR CORP.

REV.	DESCRIPTION	DATE	APVD
1	RELEASED PER E100198	JS 02/26/10	RE.H



NOTE:
 1. RoHS COMPLIANT PER CST-0001 LATEST REVISION.

DRAWN BY: J.S. LINDSEY	DATE: 11/25/09				
<small>UNLESS OTHERWISE SPECIFIED: DIMENSIONS ARE IN INCHES DECIMALS = .001 FRACTIONS = 1/32 HOLE DIA. = .0015 MAX. DIA. = .0015 MAX. DIA. = .0015</small>					
THIRD ANGLE PROJECTION	SCALE: 4:1	SIZE: D	CAGE CODE: 67131	DWG NO: 36100	REV: 1
DO NOT SCALE DRAWING		PRODUCT OUTLINE DWG VTM W/TH-LEADS PKG3		SHEET 1 OF 1	