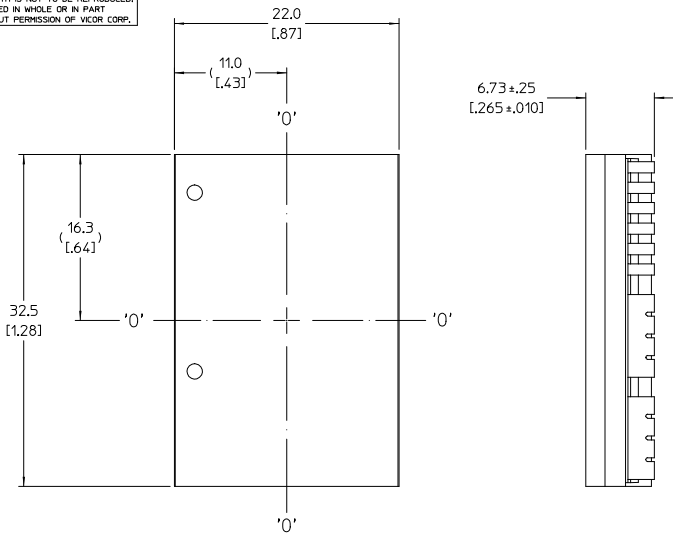
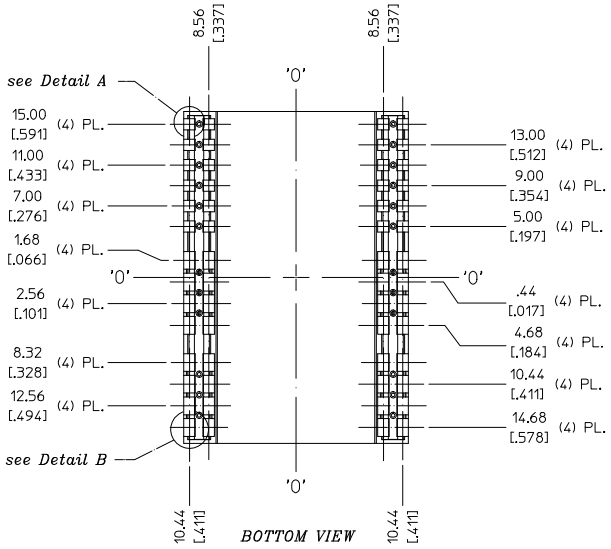


**VICOR CONFIDENTIAL**  
 THIS DOCUMENT AND THE DATA DISCLOSED  
 HEREIN OR HEREWITH IS NOT TO BE REPRODUCED,  
 USED, OR DISCLOSED IN WHOLE OR IN PART  
 TO ANYONE WITHOUT PERMISSION OF VICOR CORP.

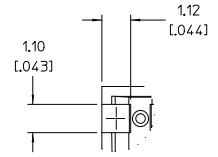
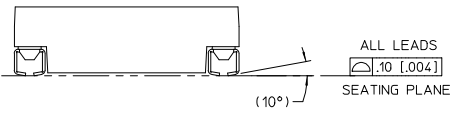
REV.	DESCRIPTION	DATE	APVD
1	RELEASED PER E100198	JS 02/26/10	RE.H



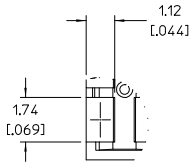
TOP VIEW (COMPONENT SIDE)



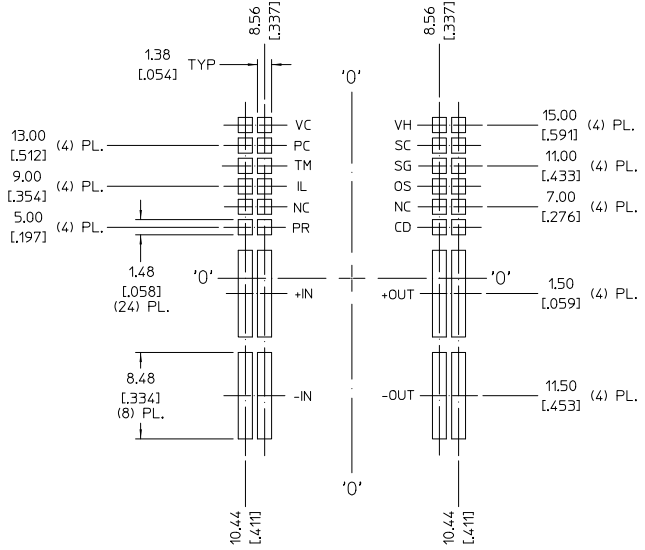
BOTTOM VIEW



Detail A  
Scale 10:1  
(24) PL.



Detail B  
Scale 10:1  
(32) PL.



RECOMMENDED LAND PATTERN  
(COMPONENT SIDE SHOWN)

NOTE:  
 1. RoHS COMPLIANT PER CST-0001 LATEST REVISION.

DRAWN BY: DATE: 11/16/09 UNLESS OTHERWISE SPECIFIED DIMENSIONS ARE IN INCH TOLERANCES ARE: DECIMALS - .02 Basic FRACTIONS - ASST (Basic)	
THIRD ANGLE PROJECTION 	<b>PRODUCT OUTLINE DWG.</b> <b>PRM(AL) W/J-LEADS PKG3</b>
SIZE: D CAGE CODE: 67131 SCALE: 4:1	DWG NO: 36055 REV: 1 SHEET 1 OF 1