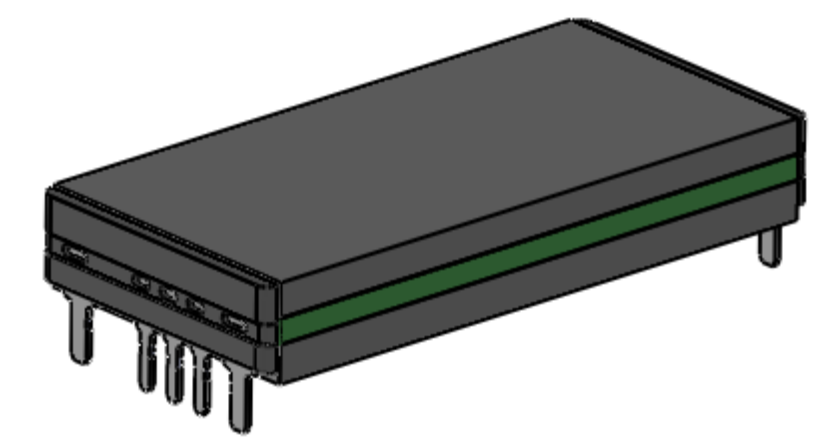
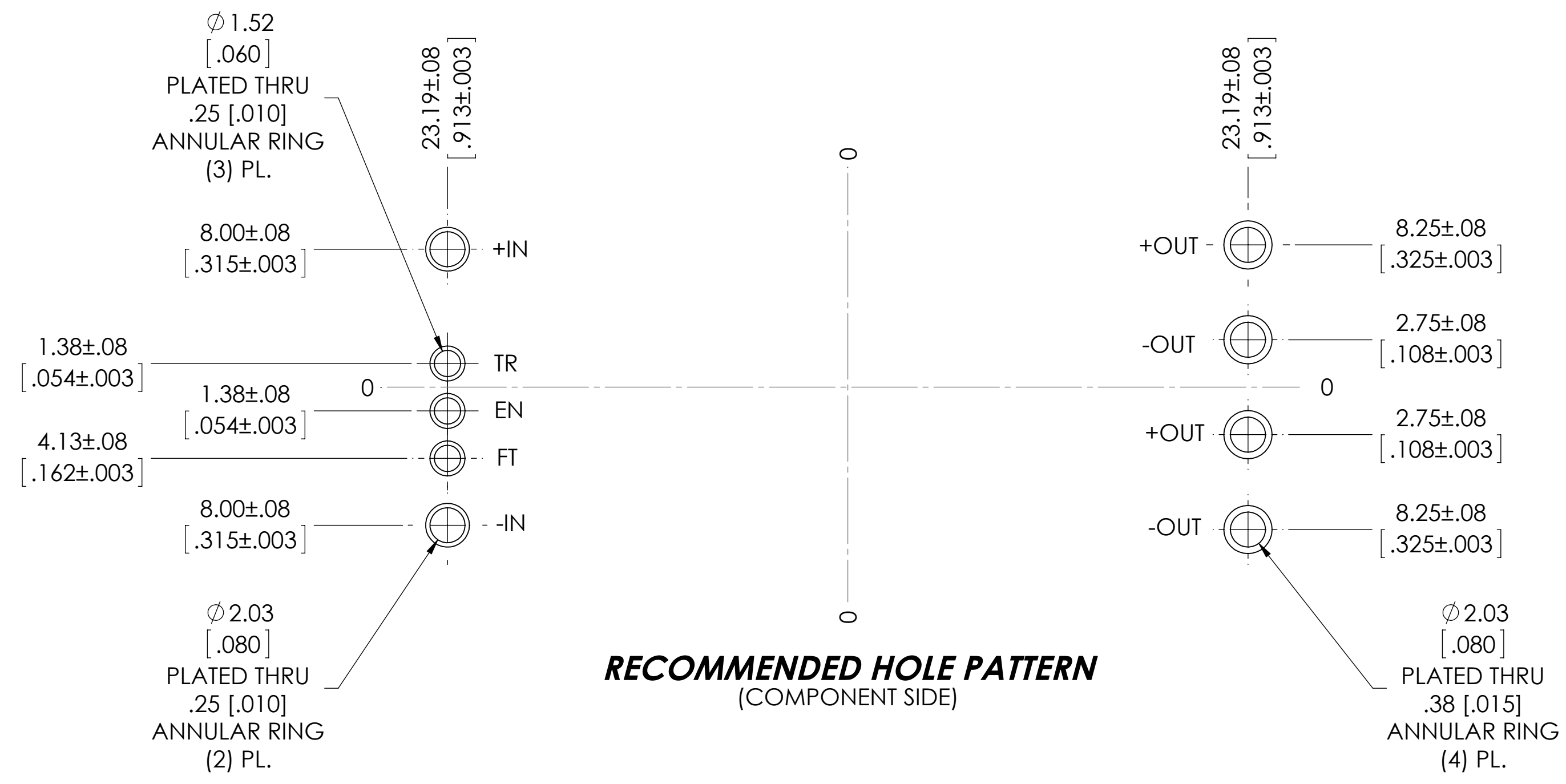
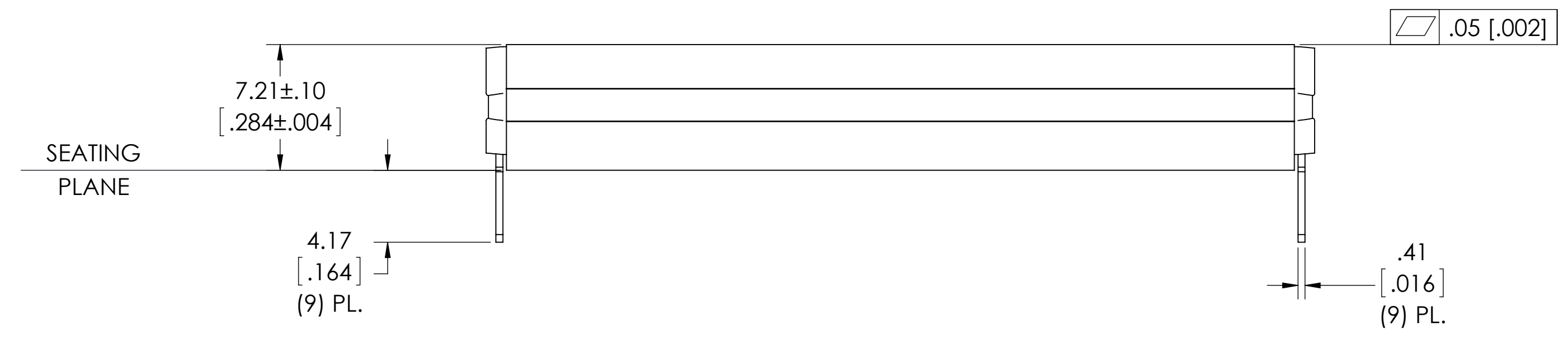
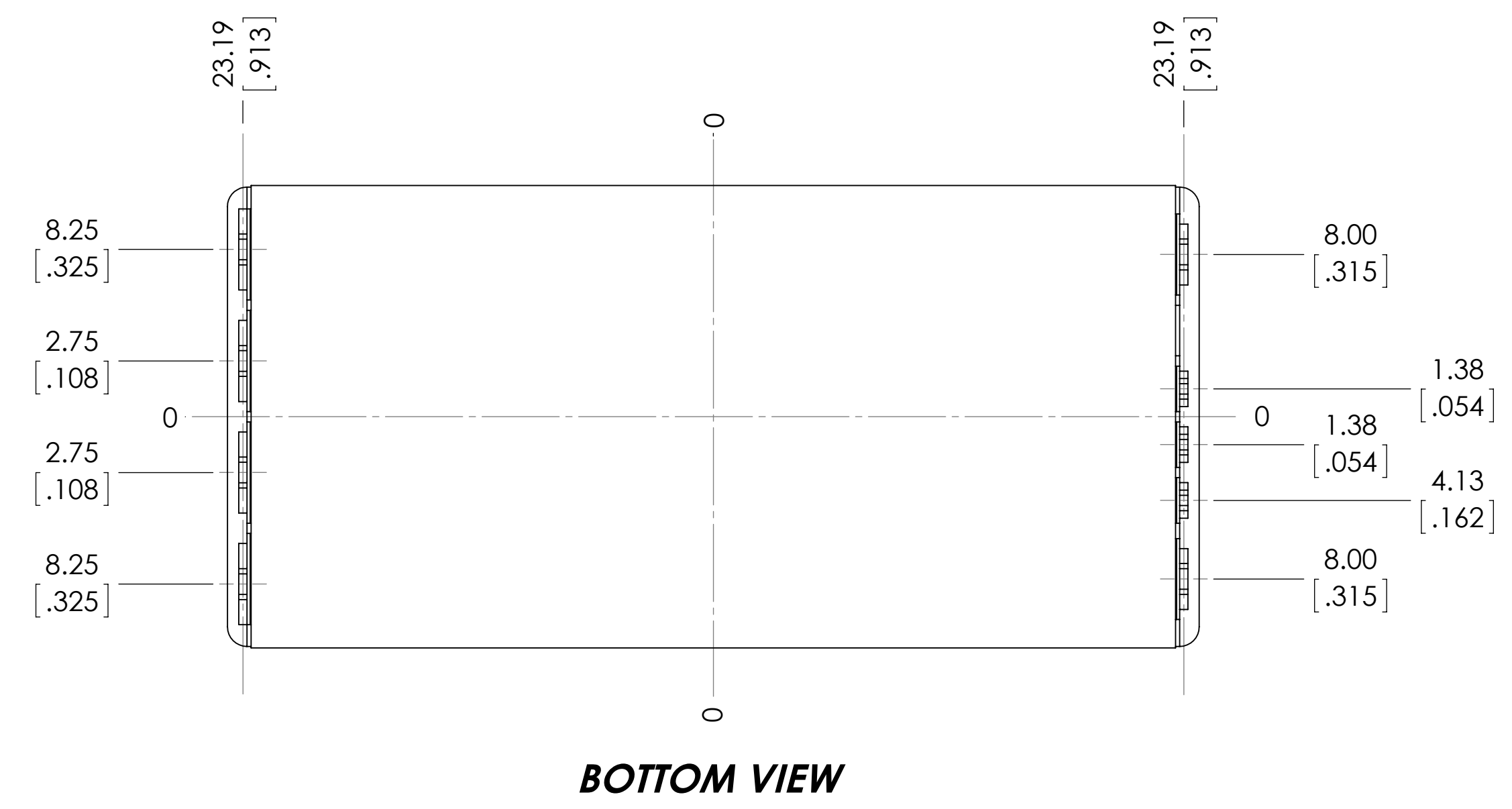
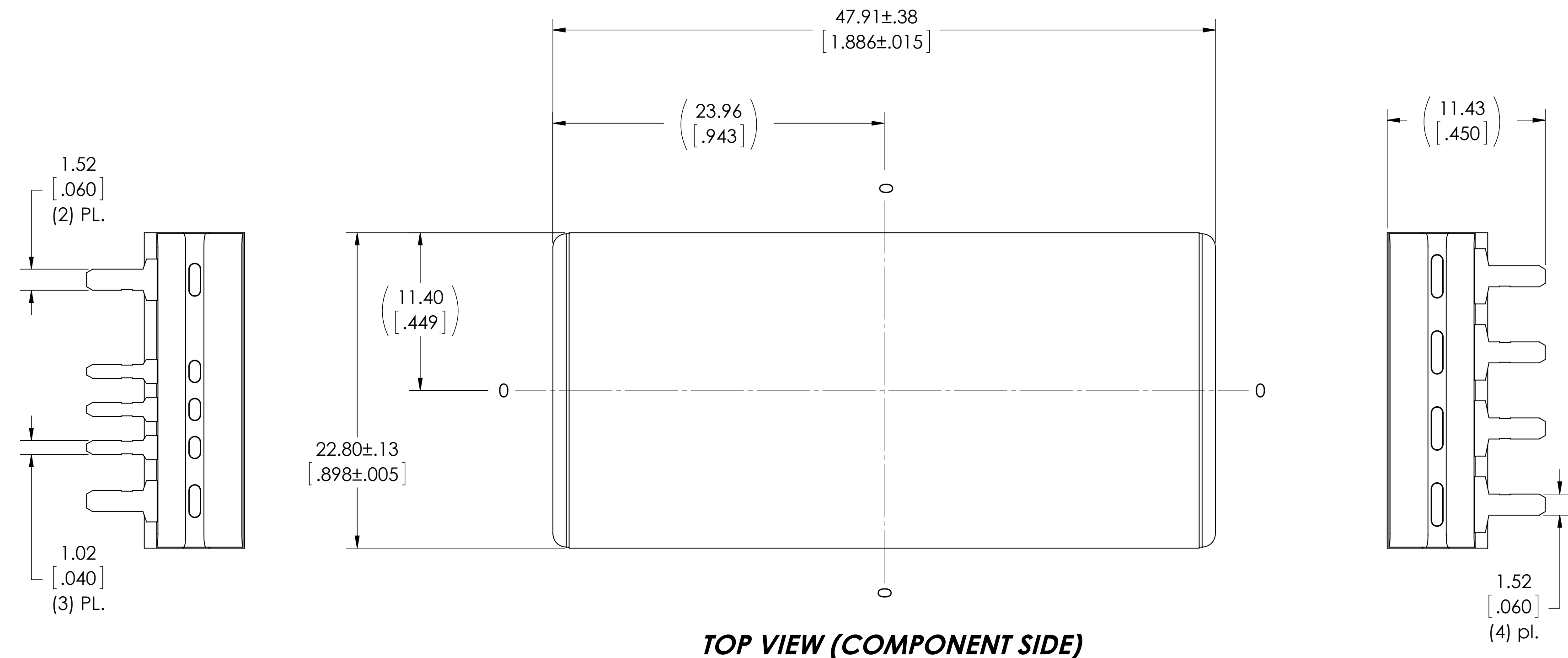


VICOR CONFIDENTIAL
 THIS DOCUMENT AND THE DATA DISCLOSED HEREIN OR
 HEREWITH IS NOT TO BE REPRODUCED, COPIED, OR
 DISCLOSED IN WHOLE OR IN PART TO ANYONE WITHOUT
 THE PERMISSION OF VICOR CORP.

REV.	DESCRIPTION	INTL	DATE	APVD
1	RELEASED PER E140206	GCK	02/18/14	SE
2	REVISED PER E141414	SJW	12/19/14	REJH
3	REVISED PER E161035B	AP	10/26/16	BH
4	REVISED PER E170413	GCK	04/25/17	REJH



NOTES:
 1- RoHS COMPLIANT PER CST-0001 LATEST REVISION.

DRAWN BY R.E.J. Hickey	DATE 9/9/2013	VICOR <small>SWD</small>	
UNLESS OTHERWISE SPECIFIED DIMENSIONS ARE: MM / (INCH)		PRODUCT OUTLINE 4623 THRU HOLE	
TOLERANCES ARE: DECIMALS: ANGLES: X.XX (+.02) (-.01) ±1° X.XXX (+.001) (-.001) ±.1°		SIZE D	CAGE CODE 67131
THIRD ANGLE PROJECTION 		DWG NO 40257	REV 4
DO NOT SCALE DRAWING		SCALE 4:1	SHEET 1 OF 1