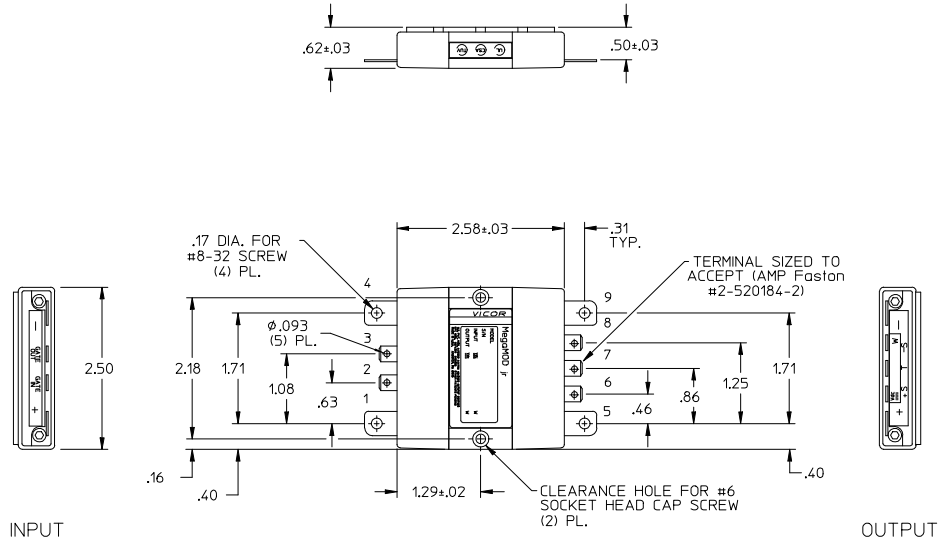


THIS DOCUMENT AND THE DATA DISCLOSED HEREIN OR HEREWITH IS NOT TO BE REPRODUCED, USED, OR DISCLOSED IN WHOLE OR IN PART TO ANYONE WITHOUT PERMISSION OF VICOR CORP.

REV.	DESCRIPTION	DATE	APVD
4	REVISED & RELEASED E070372	YWT 02/22/07	BP
5	REVISED PER E090304	REJH 02/02/09	AR
6	DOCUMENT REVISED PER E091196	JS 07/22/09	AR
7	REVISED PER E210129	REJH 03/04/21	RLT



PIN FUNCTIONS

PIN #	MINI-MOD	VI-LRAM	VI-LIAM	VI-LAIM
1	+IN	+IN	+IN	L1
2	GATE IN	+SENSE IN	+IN	NO CONNECTION
3	GATE OUT	-SENSE IN	-IN	NO CONNECTION
4	-IN	-IN	-IN	L2/N
5	+OUT	+OUT	+OUT	+OUT
6	+SENSE OUT	+SENSE OUT	GATE IN	GATE IN
7	TRIM	NO CONNECTION	PARALLEL	PARALLEL
8	-SENSE OUT	-SENSE OUT	GATE OUT	GATE OUT
9	-OUT	-OUT	-OUT	-OUT

NOTES:
 1. RoHS COMPLIANT PER CST-0001 LATEST REVISION.
 2. PINOUTS SHOWN IN THE END VIEWS ARE FOR MINI MOD.

DRAWN BY: B. J. REEVES	DATE: 03/24	<p>OUTLINE DRAWING, 1UP, MEGAMOD Jr.</p>		
<small>UNLESS OTHERWISE SPECIFIED DIMENSIONS ARE IN INCHES TOLERANCES ARE: FRACTIONS DECIMALS ANGLES .XXX .XX .X .01 .001</small>				
THIRD ANGLE PROJECTION	SIZE: D	CAGE CODE: 67131	DWG NO: 07045	REV: 7
DO NOT SCALE DRAWING	SCALE:	SHEET 1	OF 1	