

8

7

6

5

4

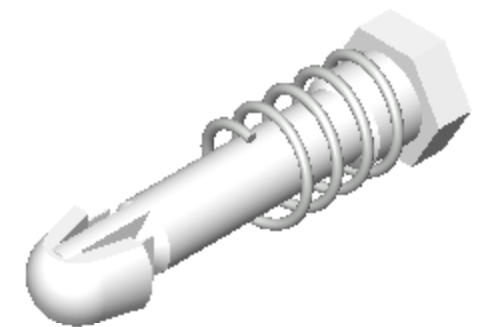
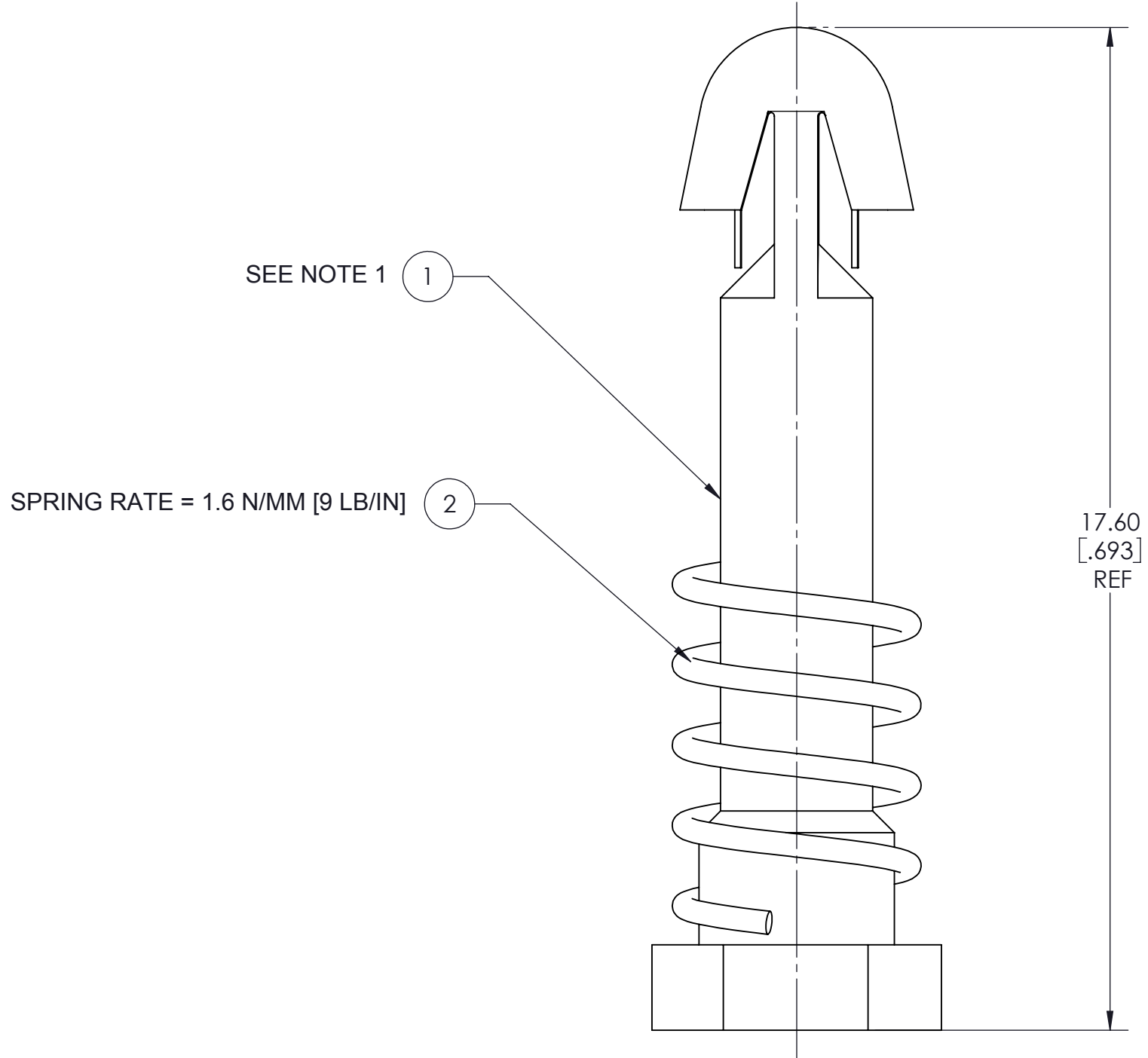
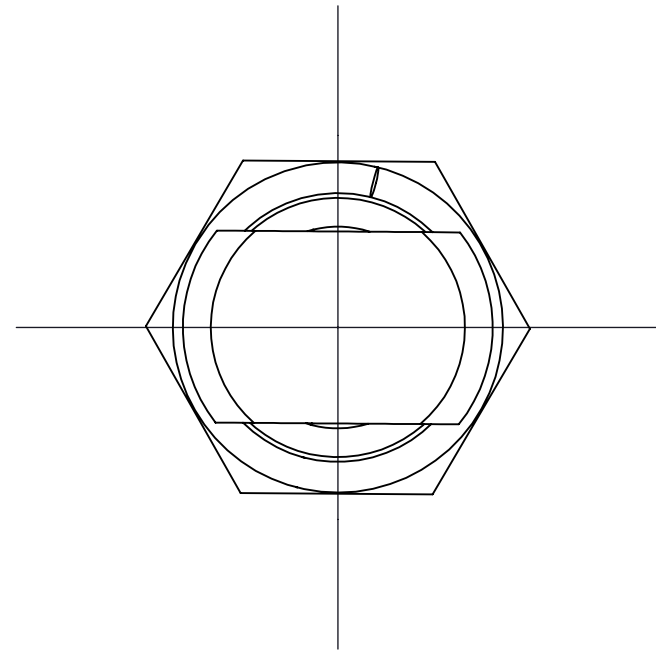
3

2

1

VICOR CONFIDENTIAL  
 THIS DOCUMENT AND THE DATA DISCLOSED HEREIN OR  
 HEREWITH IS NOT TO BE REPRODUCED, USED OR  
 DISCLOSED IN WHOLE OR IN PART TO ANYONE WITHOUT  
 THE PERMISSION OF VICOR CORP.

REVISIONS				
REV	DESCRIPTION	DATE	APPROVED	
1	RELEASED PER E071774	JS 08/15/07	REJH	
2	REVISED PER E100991	KUK 08/10/10	DCS	



- NOTES:
- FOR A LIST OF PARTS SEE BOM NO. 33622
  - ITEM 1 IS WHITE.
  - RoHS COMPLIANT PER CST-0001 LATEST REVISION.

DRAWN	DATE			
R.E.J.HICKEY	03/14/07			
MATERIAL	UNLESS OTHERWISE SPECIFIED DIMENSIONS ARE MM [INCH] TOLERANCES ARE: DECIMALS ANGLES X.XX [X.X] = ±0.01 [0.25] ±1° X.XXX [X.XX] = ±0.005 [0.127]	<b>ASSEMBLY DWG WHITE PIN          VIC J-LEAD PUSH PIN (17.6 MM)</b>		
FINISH	THIRD ANGLE PROJECTION  DO NOT SCALE DRAWING			
SIZE	CAGE CODE	DWG NO	REV	
<b>C</b>	<b>67131</b>	<b>33627</b>	<b>2</b>	
SCALE 10 : 1		SHEET 1 OF 1		

8

7

6

5

4

3

2

1