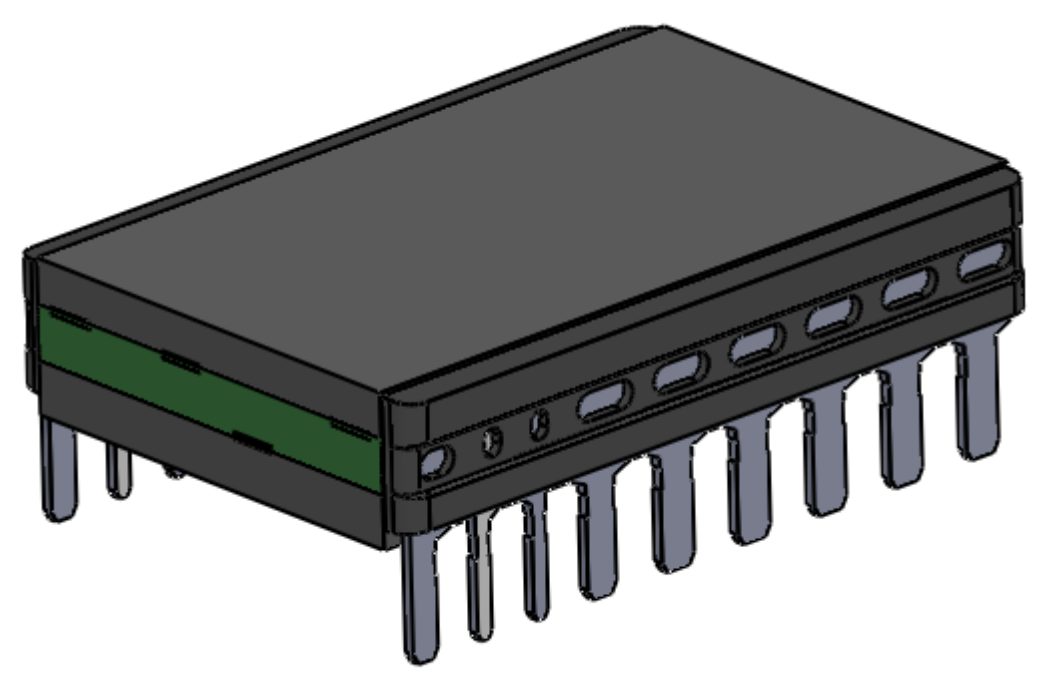
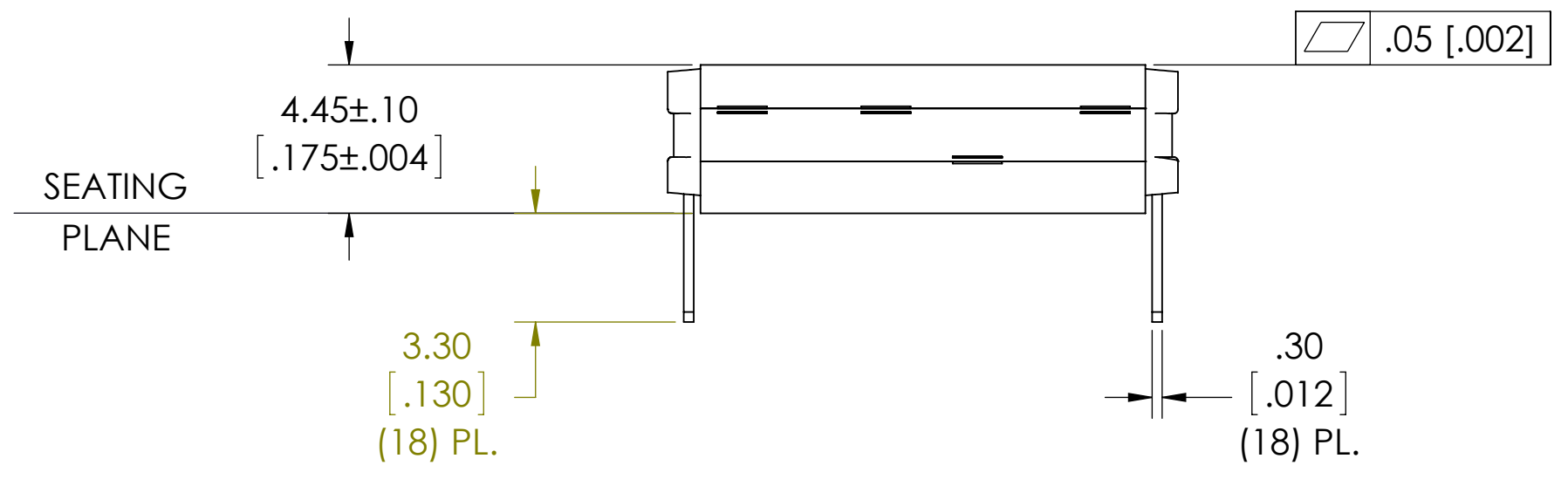
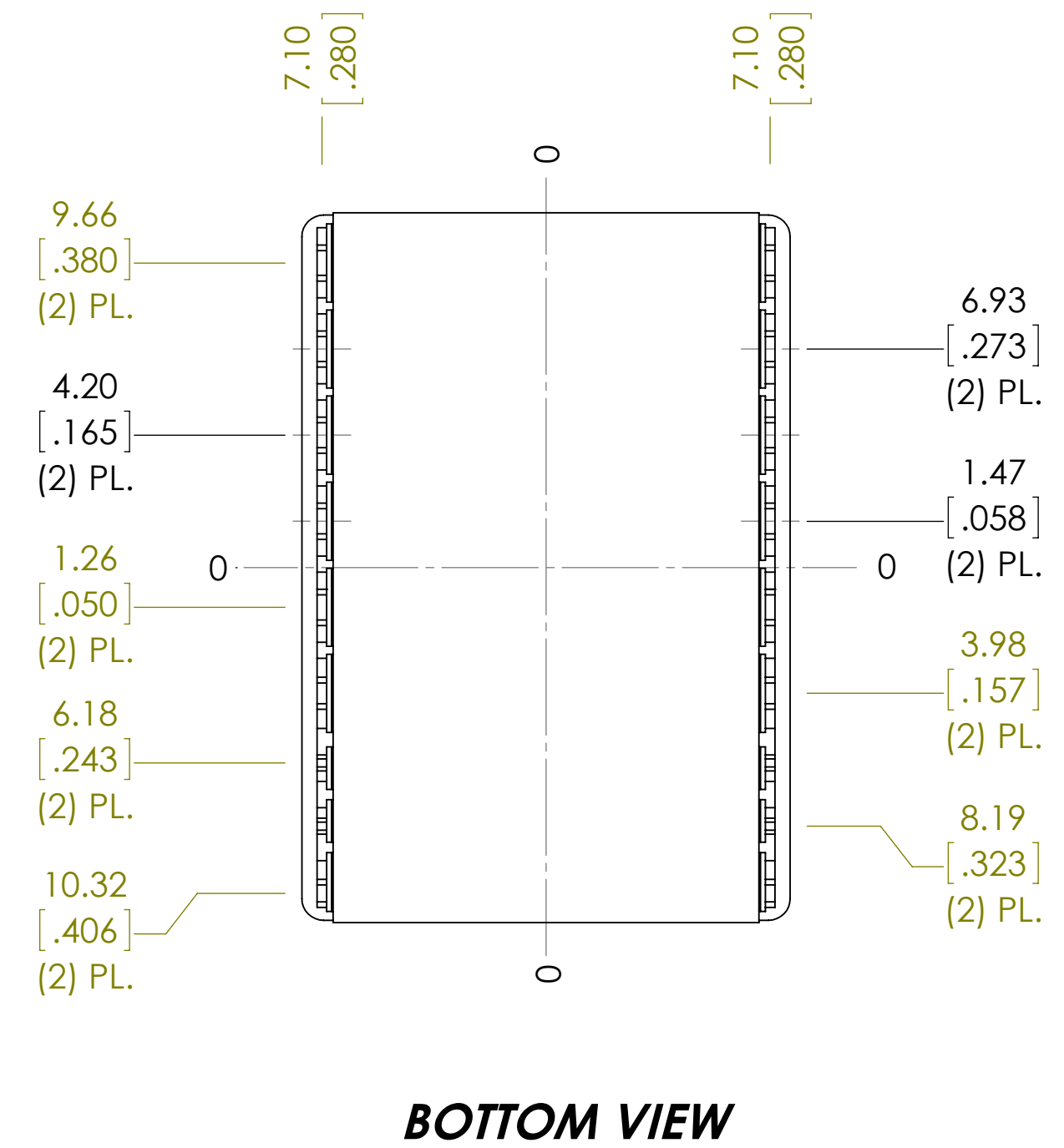
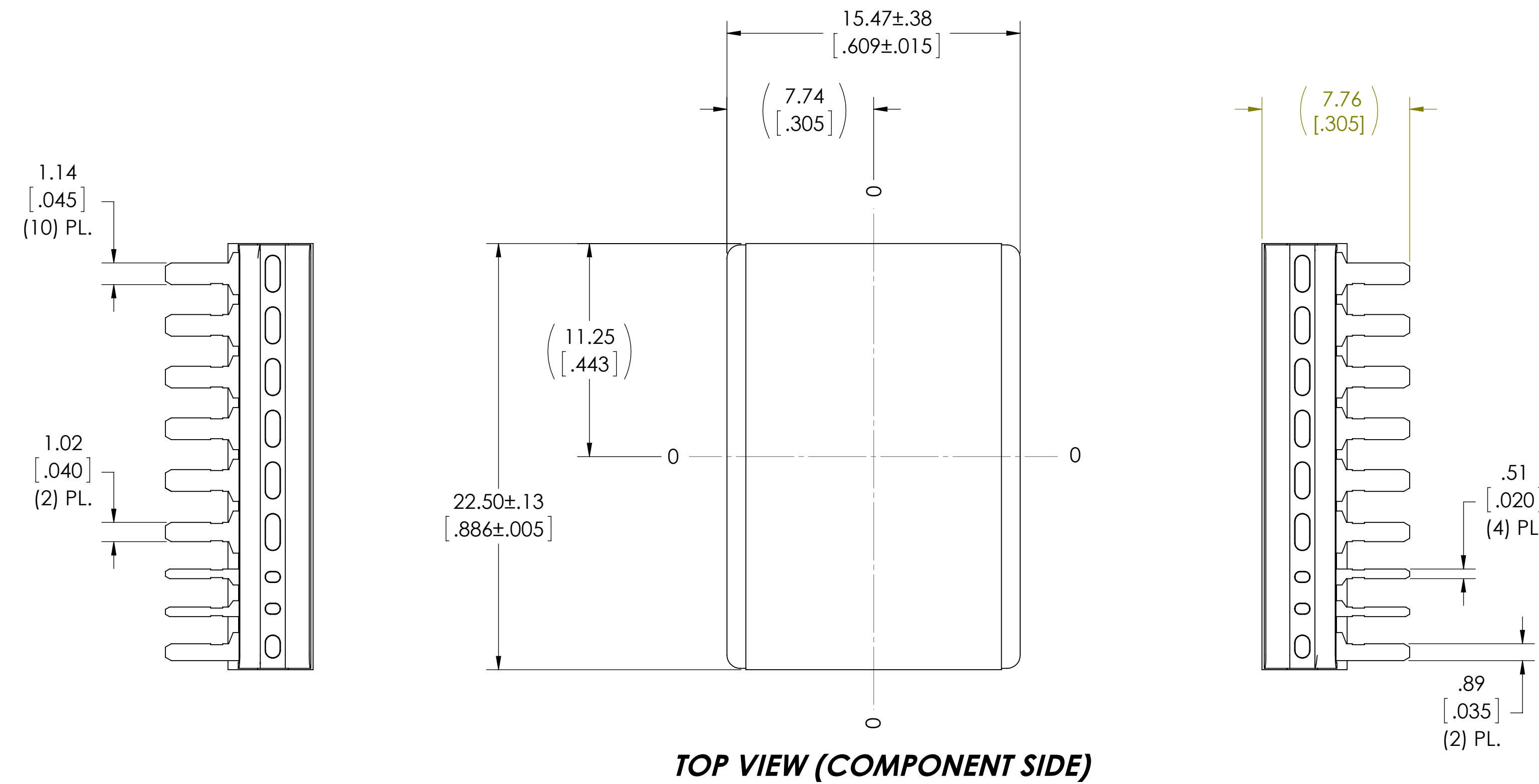


VICOR CONFIDENTIAL  
 THIS DOCUMENT AND THE DATA DISCLOSED HEREIN OR  
 HEREIN IS NOT TO BE REPRODUCED, USED OR  
 DISCLOSED IN ANY MANNER OR IN PART TO ANYONE WITHOUT  
 THE PERMISSION OF VICOR CORP.

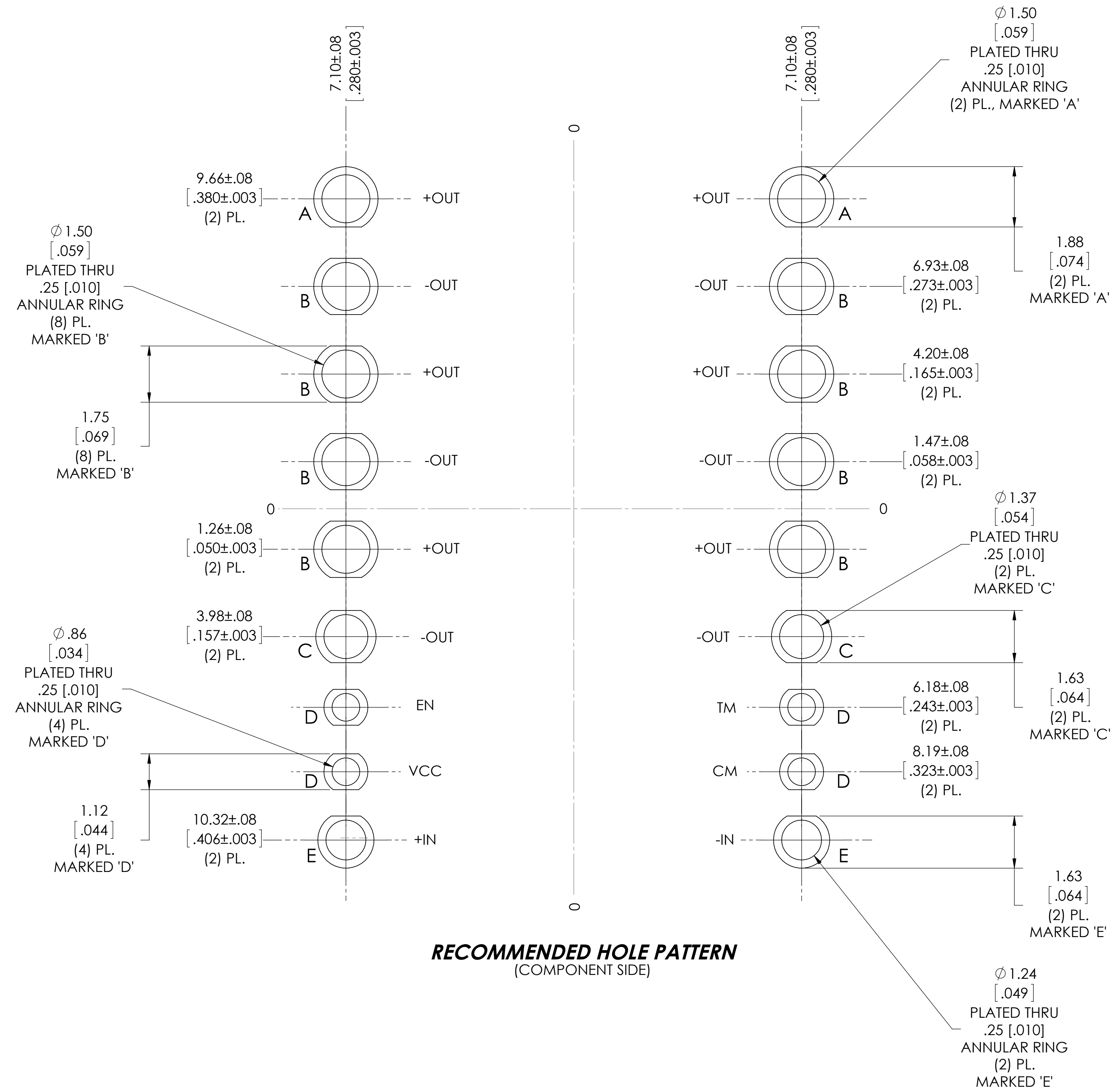
REV.	DESCRIPTION	INTL	DATE	APVD
1	RELEASED PER E140205a	GCK	03/03/14	WK
2	REVISED PER ECO E161035B	AP	10/26/16	BH
3	REVISED PER ECO E170697a	GCK	07/20/17	REJH



NOTES:  
 1- RoHS COMPLIANT, LEAD FREE PER CST-0001 LATEST REVISION.  
 2- SEE SHEET 2 FOR RECOMMENDED HOLE PATTERN.

DRAWN BY R.E.J. Hickey	DATE 9/24/2013	<b>VICOR</b> <small>SWD</small>	
UNLESS OTHERWISE SPECIFIED DIMENSIONS ARE MM (INCH)		<b>PRODUCT OUTLINE 1323 THRU HOLE</b>	
TOLERANCES ARE: DECIMALS ANGLES XXX [XX] = +0.25 (0.01) -1° X.XXX [X.XX] = ±0.127 (0.005)		SIZE <b>D</b>	CAGE CODE <b>67131</b>
THIRD ANGLE PROJECTION 		DWG NO <b>40329</b>	REV <b>3</b>
DO NOT SCALE DRAWING		SCALE 5:1	SHEET 1 OF 2

REVISIONS			
REV	DESCRIPTION	DATE	APPROVED
	SEE SHEET 1		



DRAWN BY R.E.J. Hickey	DATE 9/24/2013	<b>VICOR</b> <small>SWD</small>	
UNLESS OTHERWISE SPECIFIED DIMENSIONS ARE : MM / [INCH]		<b>PRODUCT OUTLINE 1323 THRU HOLE</b>	
TOLERANCES ARE: DECIMALS X.X [X.X] = +0.25 [0.01] X.XX [X.XX] = +0.127 [0.005]	ANGLES ±1°	SIZE <b>D</b>	CAGE CODE <b>67131</b>
THIRD ANGLE PROJECTION	DWG NO <b>40329</b>	REV <b>3</b>	SCALE 12:1
DO NOT SCALE DRAWING	SHEET 2 OF 2		