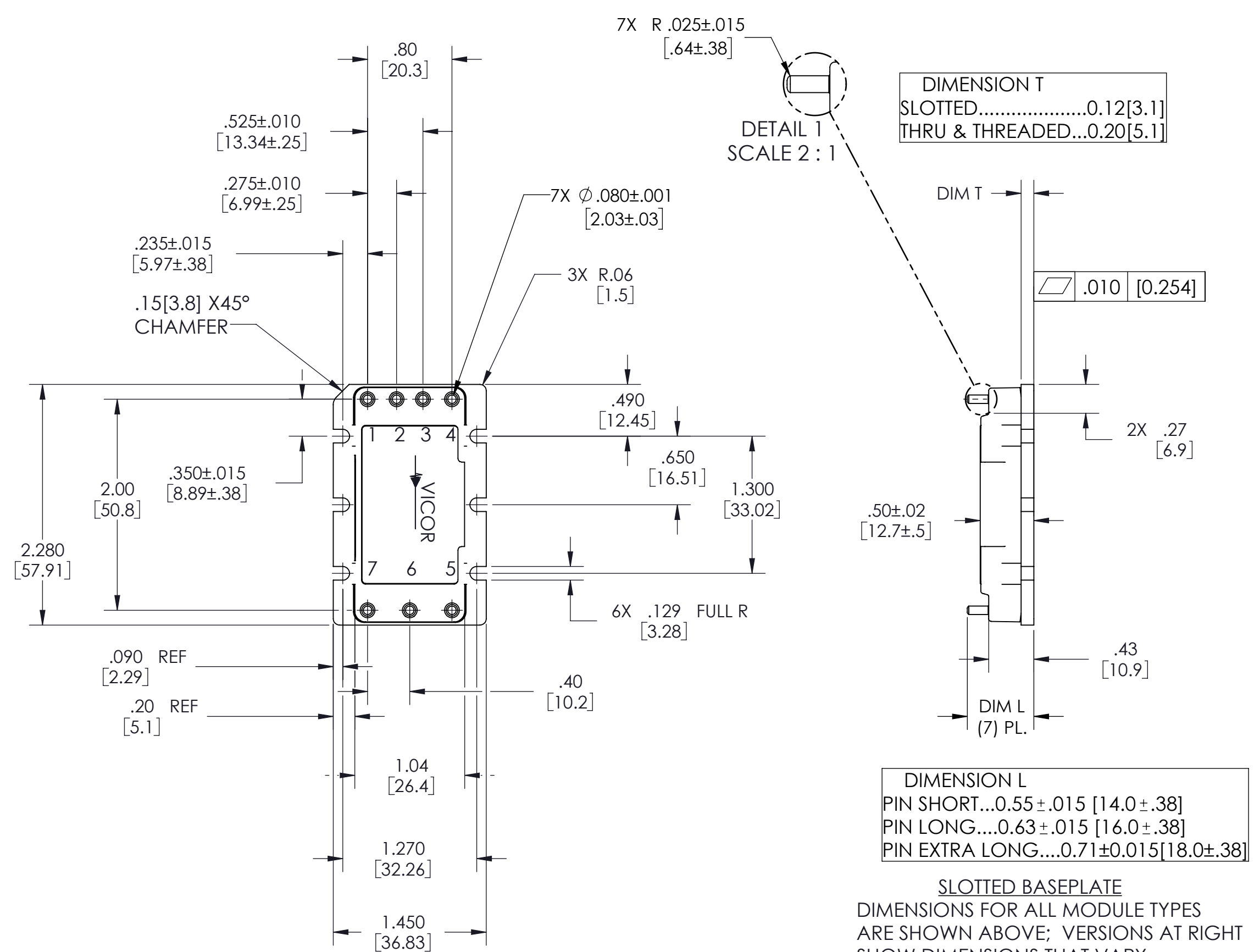


VICOR CONFIDENTIAL
 THIS DOCUMENT AND THE DATA DISCLOSED HEREIN OR
 HEREWITH IS NOT TO BE REPRODUCED, USED OR
 DISCLOSED IN WHOLE OR IN PART TO ANYONE WITHOUT
 THE PERMISSION OF VICOR CORP.

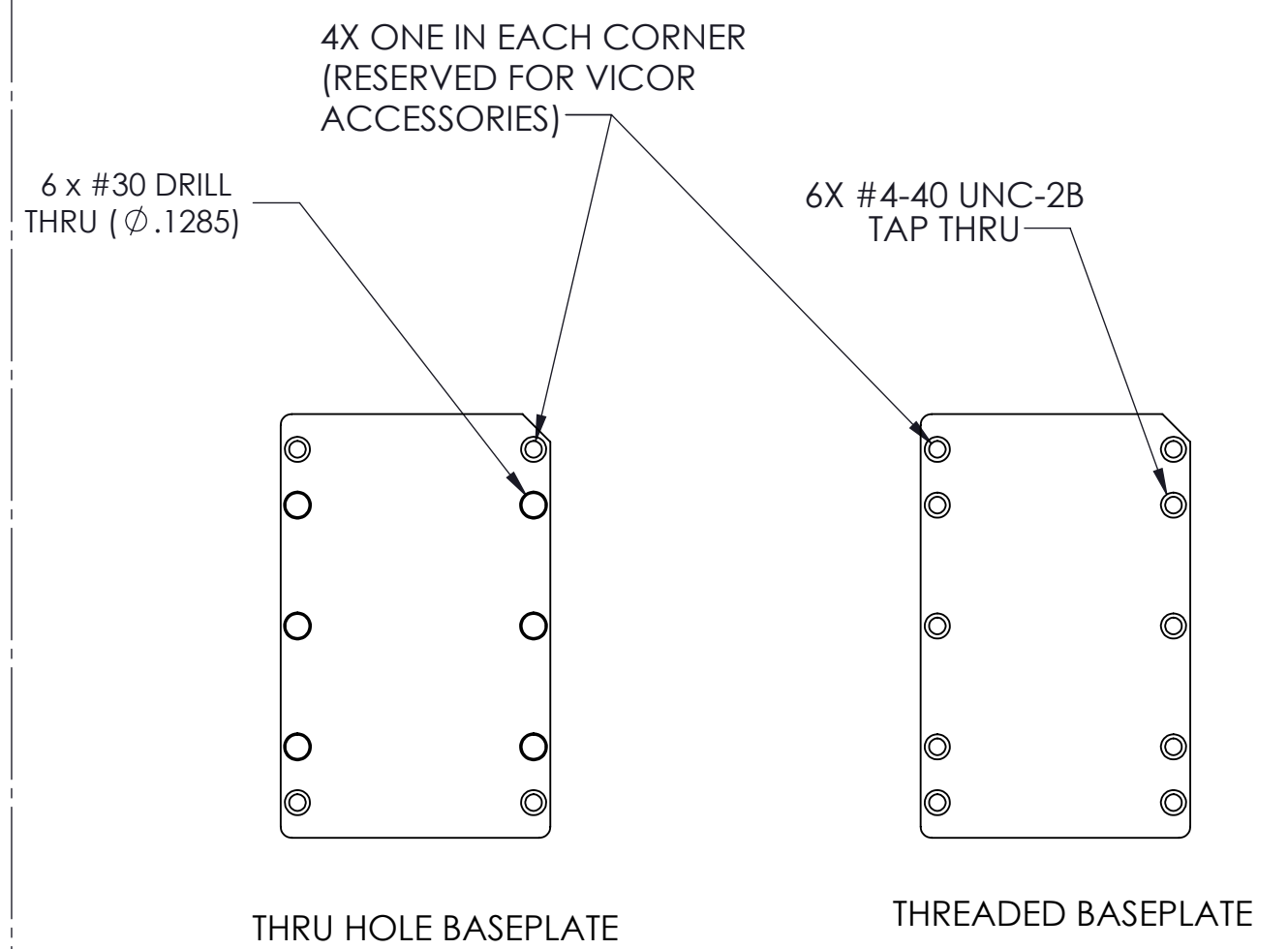
REV.	DESCRIPTION	INTL	DATE	APVD
1	RELEASED PER R110024a	AR	01/11/11	KUK
2	REVISED PER E190189	CL	03/25/19	RLT
3	REVISED PER E190280	AY	05/15/19	RLT
4	REVISED PER E200240	REJH	05/05/20	RLT
5	REVISED PER E200383	DKT	07/29/20	RLT



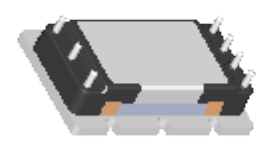
DIMENSION T
 SLOTTED.....0.12[3.1]
 THRU & THREADED...0.20[5.1]

DIMENSION L
 PIN SHORT...0.55±.015 [14.0±.38]
 PIN LONG....0.63±.015 [16.0±.38]
 PIN EXTRA LONG....0.71±0.015[18.0±.38]

SLOTTED BASEPLATE
 DIMENSIONS FOR ALL MODULE TYPES
 ARE SHOWN ABOVE; VERSIONS AT RIGHT
 SHOW DIMENSIONS THAT VARY.



NOTES:
 1. MATERIAL:
 BASE: 6000 SERIES ALUMINUM
 PIN PLATING: NICKEL BARRIER FOLLOWED BY
 (RoHS PINS) GOLD PLATE (30 MICRO INCH MIN); OR PALLADIUM (35 UIN MIN), FOLLOWED BY 3 TO 5 UIN GOLD.
 (NON-RoHS PINS) TIN/LEAD 90/10 BRIGHT



DRAWN BY	DATE	VICOR SWD			
UNLESS OTHERWISE SPECIFIED DIMENSIONS ARE : INCH / (MM)		OUTLN DWG FAST TRACK MC PLASTIC			
TOLERANCES ARE: DECIMALS ANGLES X.XX [X.X] = ±0.01 [0.25] ±1° X.XXX [X.XXX] = ±0.005 [0.127]		SIZE C	CAGE CODE 67131	DWG NO 37207	REV 5
THIRD ANGLE PROJECTION DO NOT SCALE DRAWING		SCALE 1:1	SHEET 1 OF 1		