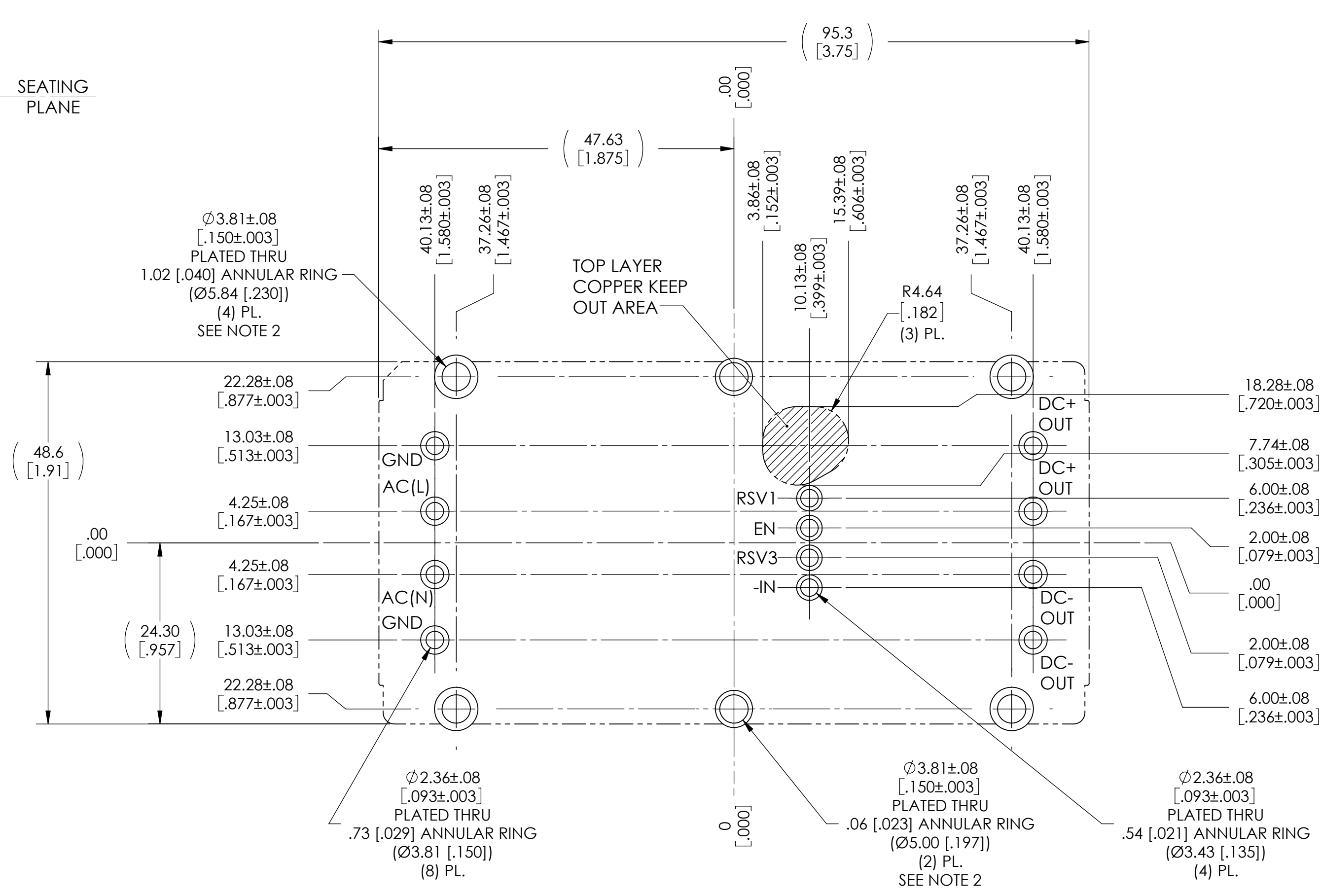
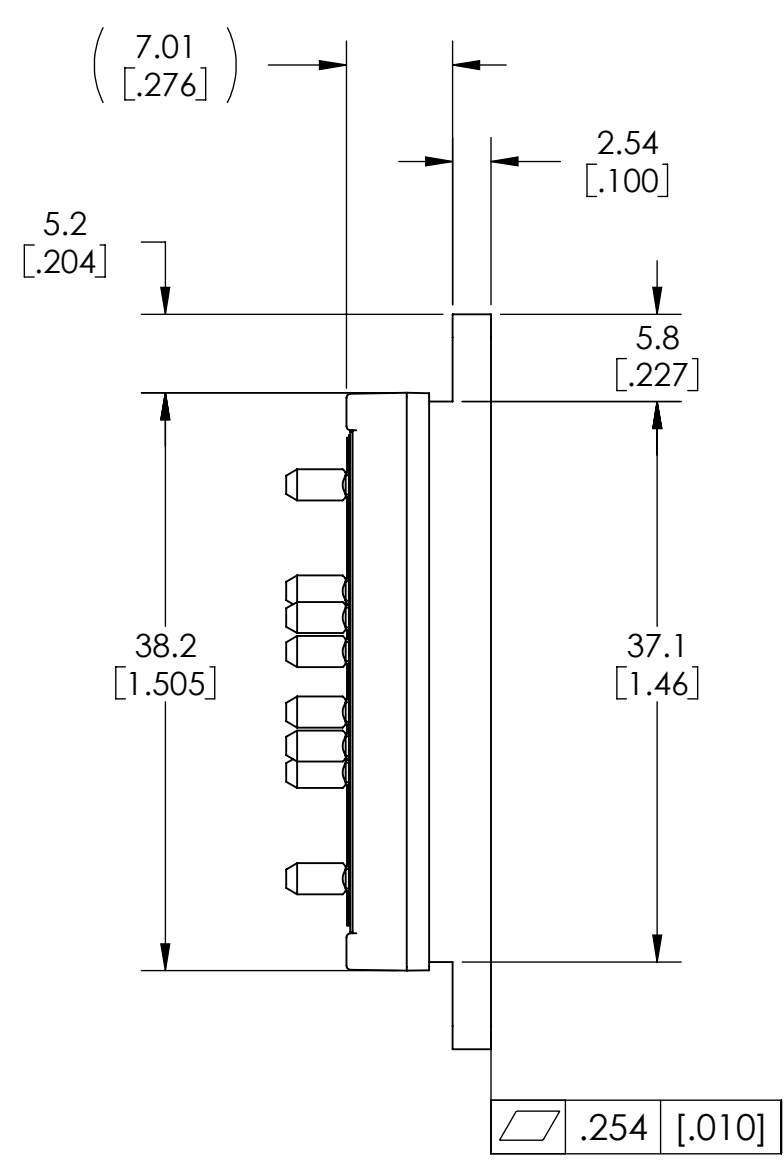
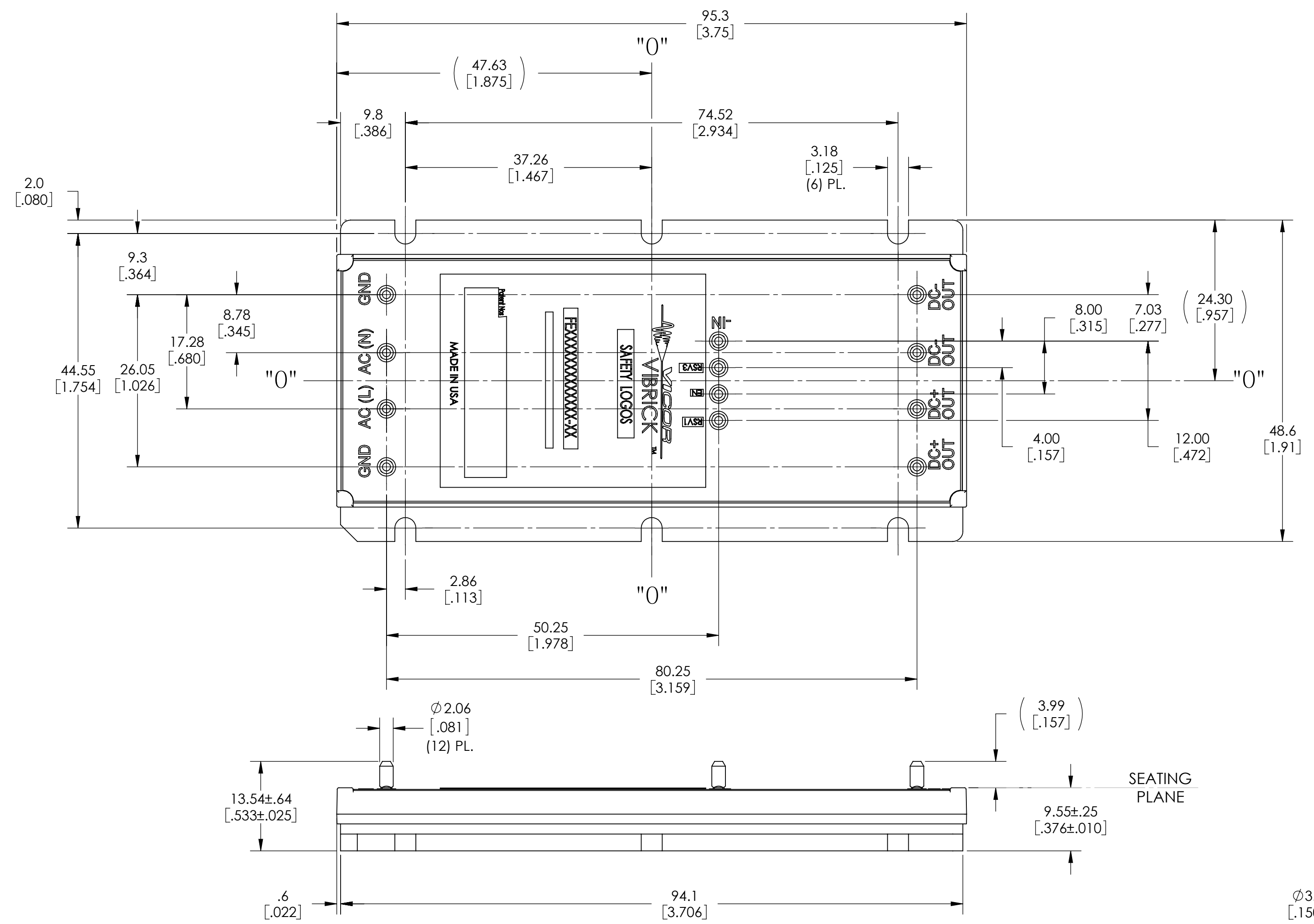
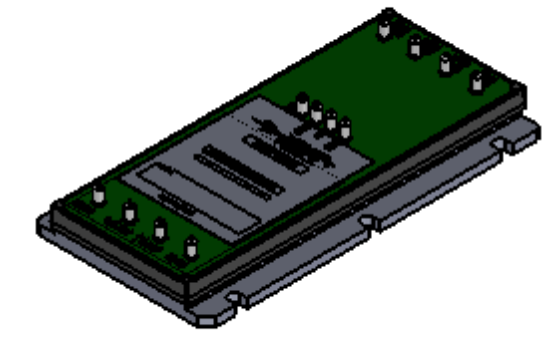


REV.	DESCRIPTION	DATE	APPROVED
1	RELEASED PER E120042	KUK 01/16/12	REJH
2	REVISED PER E140102	GCK 1/22/14	EB
3	REVISED PER E140766	GCK 06/06/14	REJH
4	REVISED PER E150760	AWT 07/23/15	JF



- NOTES:
- 1- RoHS COMPLIANT PER CST-0001 LATEST REVISION.
 - 2- PLATED THROUGH HOLES SHALL BE USED WITH VIBRICK STANDOFF KITS TO GROUND THE BASEPLATE TO THE CUSTOMERS PCB AND/OR COLD PLATE.



RECOMMENDED PCB PATTERN
 (COMPONENT SIDE SHOWN)

DRAWN BY R.E.J Hickey	DATE 11/23/2011			
<small>UNLESS OTHERWISE SPECIFIED DIMENSIONS ARE MM (INCH)</small> <small>TOLERANCES ARE:</small> <small>DECIMALS ANGLES</small> <small>XX (XXX) = +0.25 (0.01) °1°</small> <small>XXX (XXX) = ±0.127 (0.005)</small>				
THIRD ANGLE PROJECTION	SIZE D	CAGE CODE 67131	DWG NO 38069	REV 4
DO NOT SCALE DRAWING	SCALE 2:1	SHEET 1 OF 1		